

artos[®]

TS182

OPERATING SPECIFICATIONS

trova shower set with
tub filler classic



FEATURES

2-Outlets

INCLUDES

Shower Head & Arm

Valve Trim

Tub Filler With Diverter

OPERATING PRESSURE

Minimum: 15 psi

Maximum: 125 psi

Above 90psi it may be necessary to install a pressure reducer

OPERATING TEMPERATURE

Maximum: 176°

FLOW CAPACITY

Shower Head: 1.8 USGPM

Tub Filler: 6.3 USGPM

STANDARDS

ASSE 1016-2011 | ASME_A112.1016-2011 | CSA B125:16-11



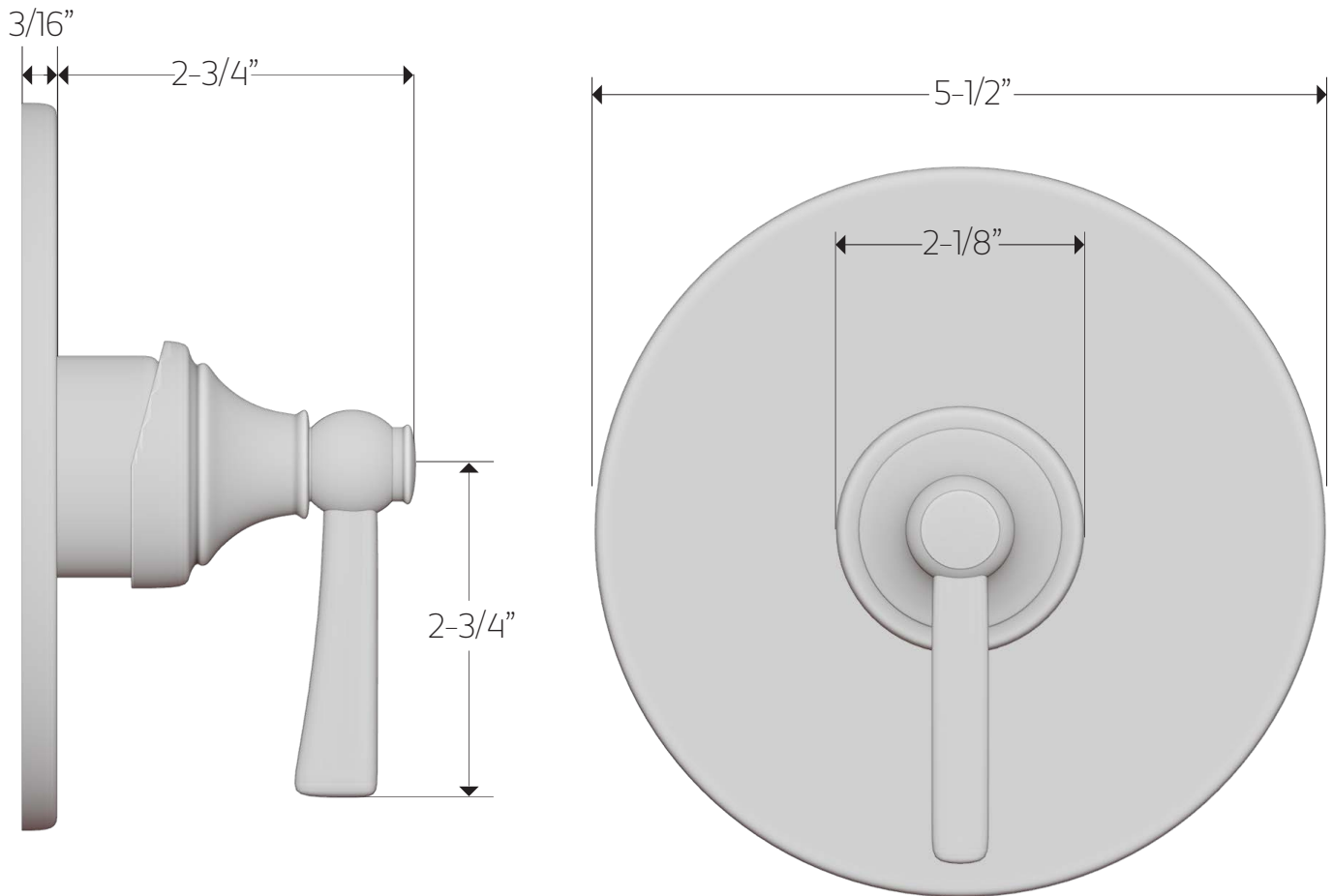
artos[®]

TS182

PRODUCT DIMENSIONS

trova shower set with
tub filler classic

for trim kit



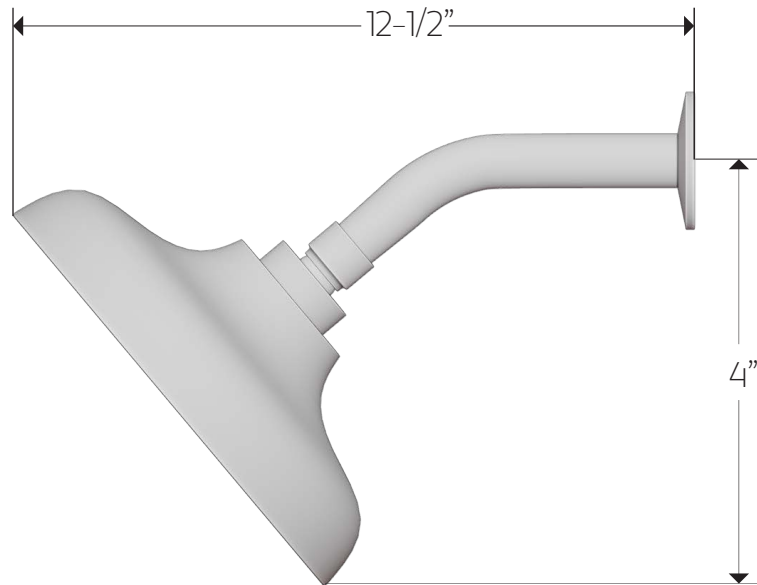
artos[®]

TS182

PRODUCT DIMENSIONS

trova shower set with
tub filler classic

for shower head



artos[®]

TS182

trova shower set with
tub filler classic

PRODUCT DIMENSIONS

for tub filler

