

artos[®]

TS181

OPERATING SPECIFICATIONS

trova shower set with
tub filler classic



INCLUDES

Shower Head & Arm
Valve Trim

OPERATING PRESSURE

Minimum: 15 psi
Maximum: 125 psi
Above 90psi it may be necessary to install a pressure reducer

OPERATING TEMPERATURE

Maximum: 176°

FLOW CAPACITY

Shower Head: 1.8 USGPM

STANDARDS

ASSE 1016-2011 | ASME_A112.1016-2011 | CSA B125:16-11



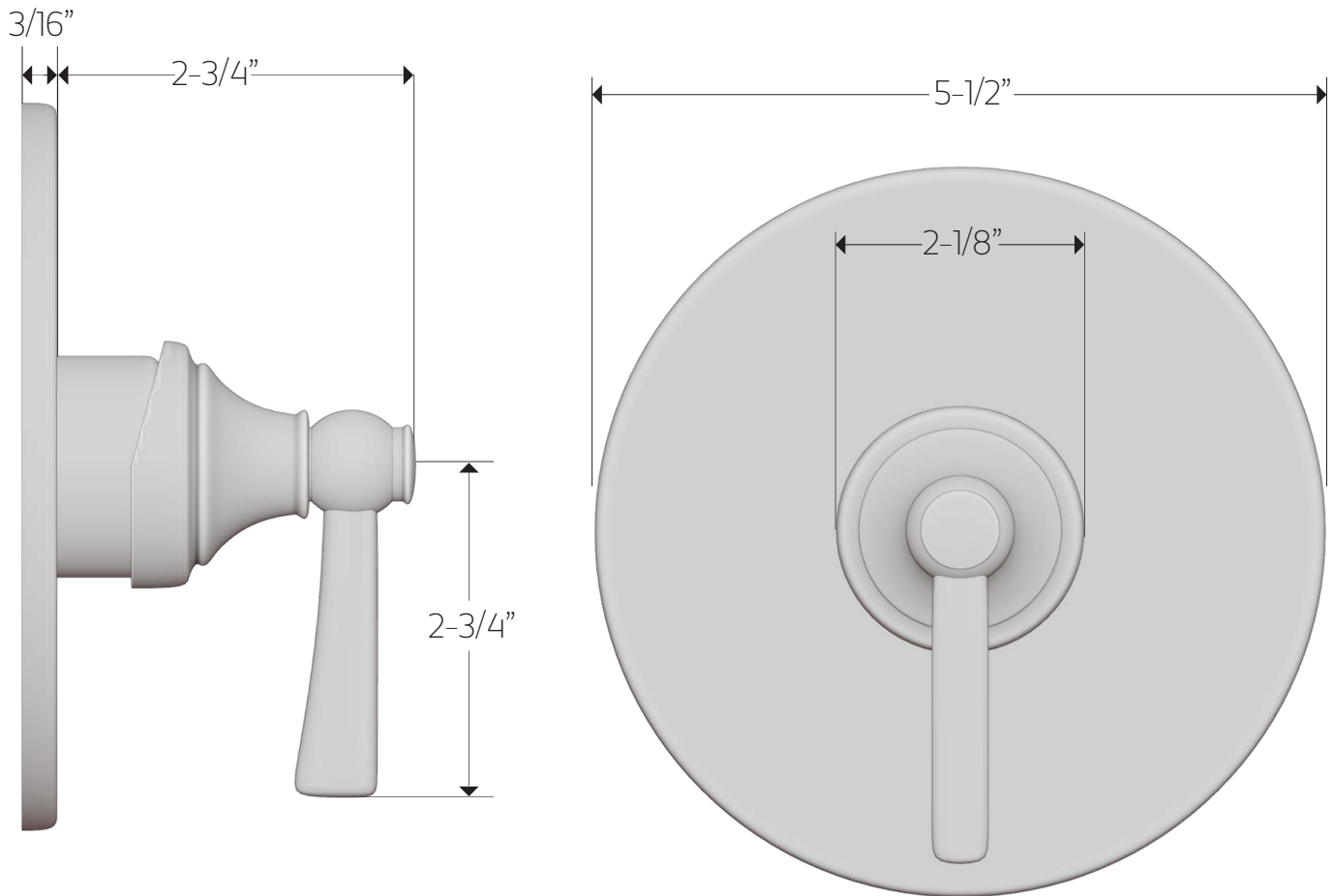
artos[®]

TS181

PRODUCT DIMENSIONS

trova shower set with
tub filler classic

for trim kit



artos[®]

TS181

PRODUCT DIMENSIONS

trova shower set with
tub filler classic

for shower head

