

artos[®]

TS152

trova tub/shower
set with rain head

OPERATING SPECIFICATIONS



FEATURES

2-Outlets

INCLUDES

Rain Head & Arm

Valve Trim

Tub Filler With Diverter

OPERATING PRESSURE

Minimum: 15 psi

Maximum: 125 psi

Above 90psi it may be necessary to install a pressure reducer

OPERATING TEMPERATURE

Maximum: 176°

FLOW CAPACITY

Shower Head: 1.8 USGPM

Tub Filler: 6.3 USGPM

STANDARDS

ASSE 1016-2011 | ASME_A112.1016-2011 | CSA B125:16-11



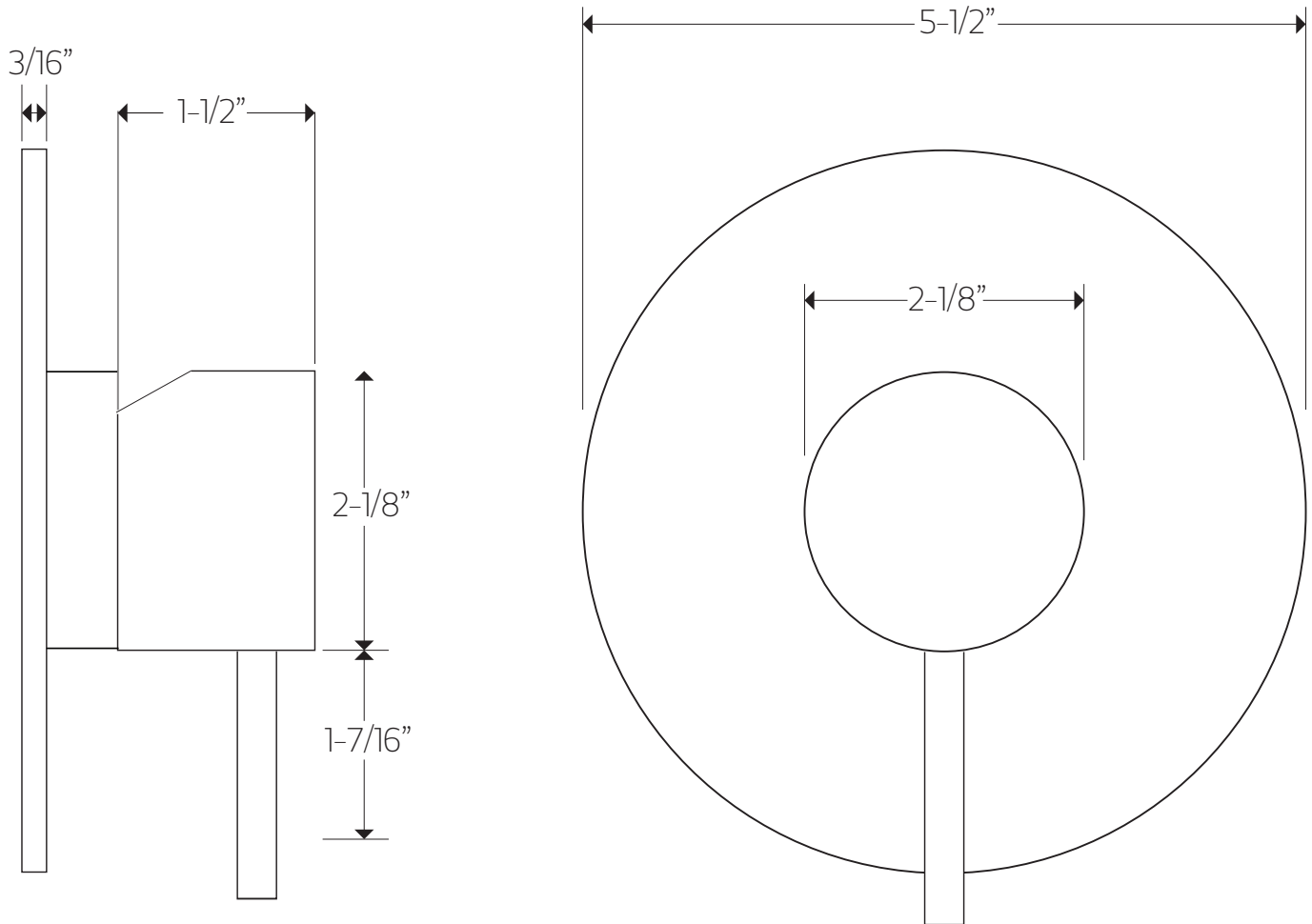
artos[®]

TS152

trova tub/shower
set with rain head

PRODUCT DIMENSIONS

for trim kit



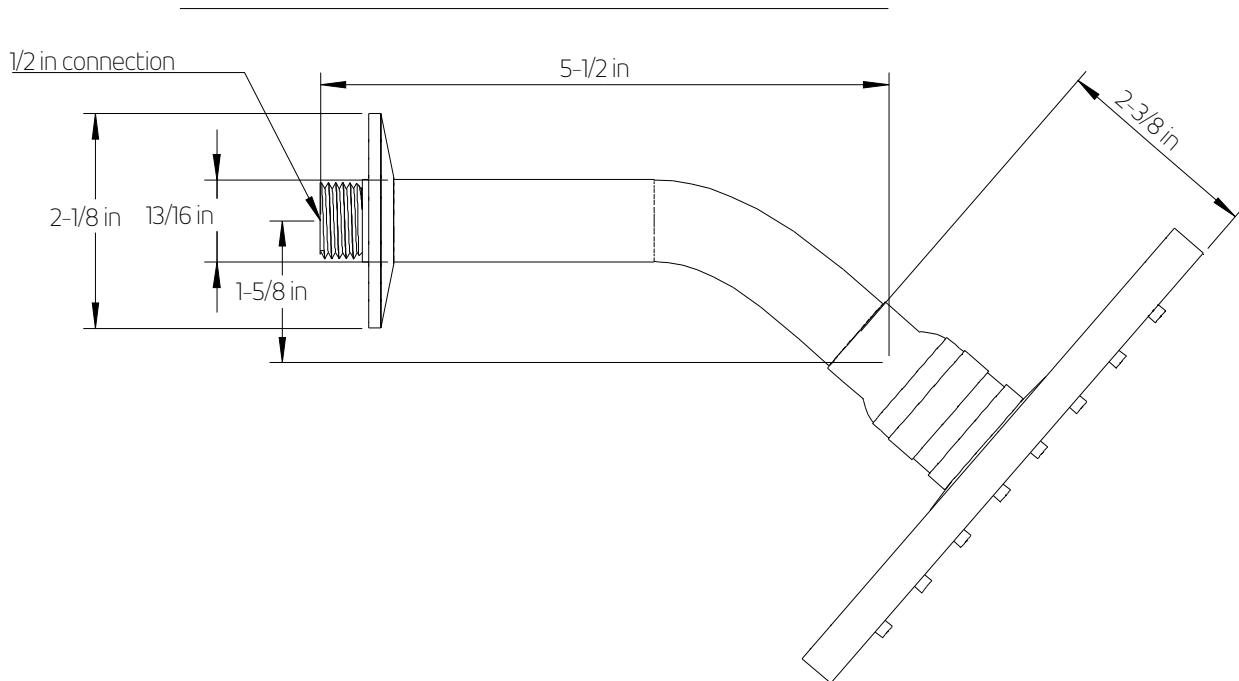
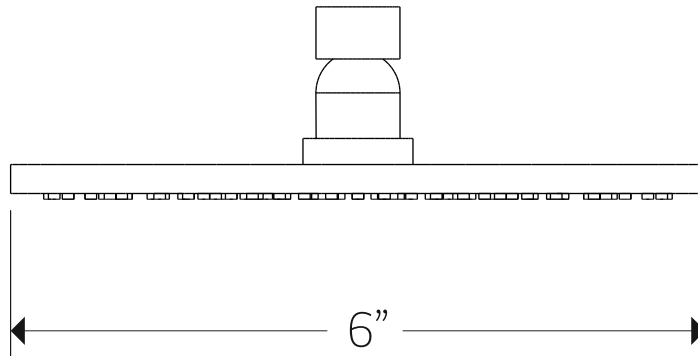
artos[®]

TS152

trova tub/shower
set with rain head

PRODUCT DIMENSIONS

for shower head



artos[®]

TS152

trova tub/shower
set with rain head

PRODUCT DIMENSIONS

for tub filler

