

# artos<sup>®</sup>

## TS151

## OPERATING SPECIFICATIONS

trova shower set  
with rain head



### INCLUDES

Rain Head & Arm  
Valve Trim

### OPERATING PRESSURE

Minimum: 15 psi  
Maximum: 125 psi  
Above 90psi it may be necessary to install a pressure reducer

### OPERATING TEMPERATURE

Maximum: 176°

### FLOW CAPACITY

Shower Head: 1.8 USGPM

### STANDARDS

ASSE 1016-2011 | ASME\_A112.1016-2011 | CSA B125:16-11

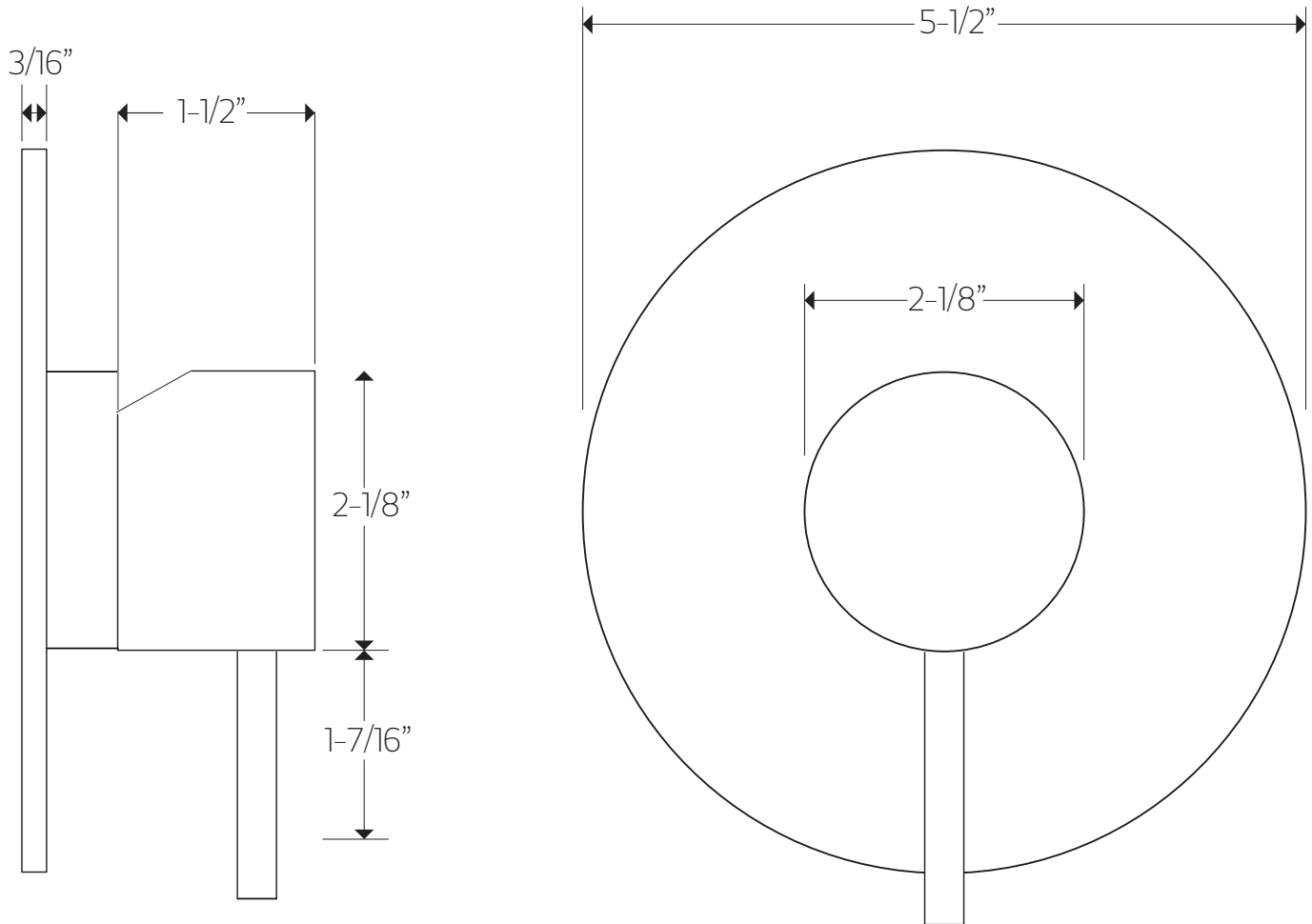


TS151

## PRODUCT DIMENSIONS

trova shower set  
with rain head

for trim kit



# artos<sup>®</sup>

## TS151

trova shower set  
with rain head

### PRODUCT DIMENSIONS

for shower head

