

California Faucets®

Decorative Grab Bar

KNURLED END WITH CONCAVE BASE

Features

- All brass construction
- 1-1/4" diameter bar
- Concealed mounting
- Mounting hardware included

- 9412D-30K
- 9418D-30K
- 9424D-30K
- 9430D-30K
- 9436D-30K
- 9442D-30K
- 9448D-30K

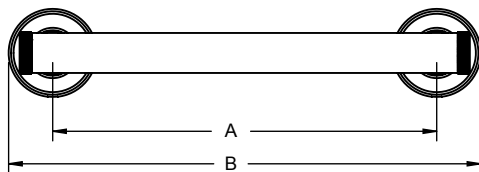


9418D-30K SHOWN

Codes/Standards Applicable

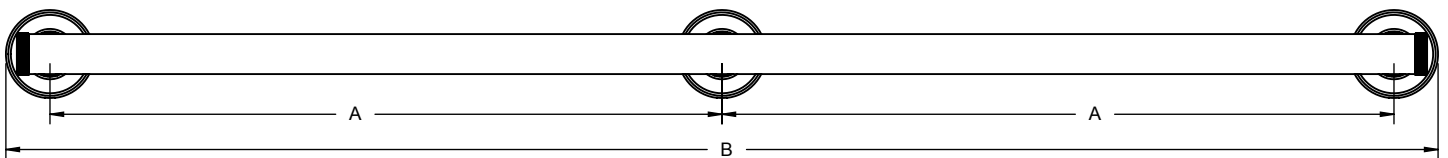
Product meets or exceeds the following:

- ADA compliant

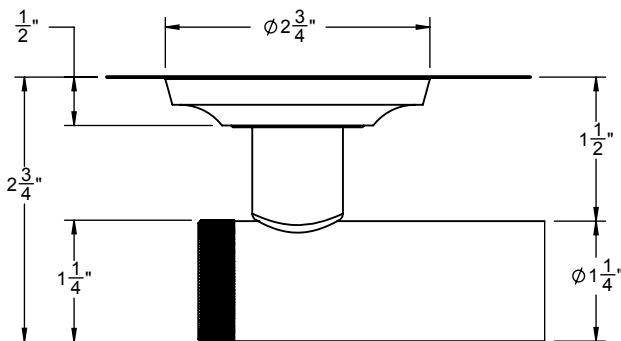


FRONT VIEW
(2 POST)

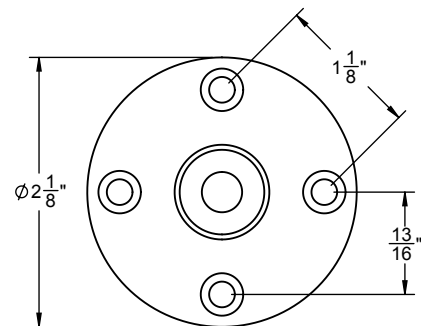
	DECORATIVE GRAB BAR	DIM. A	DIM. B
2 POST	9412D-30K	12"	14 ¹³ / ₁₆ "
	9418D-30K	18"	20 ¹³ / ₁₆ "
	9424D-30K	24"	26 ¹³ / ₁₆ "
	9430D-30K	30"	32 ¹³ / ₁₆ "
	9436D-30K	36"	38 ¹³ / ₁₆ "
3 POST	9442D-30K	21"	44 ¹³ / ₁₆ "
	9448D-30K	24"	50 ¹³ / ₁₆ "



FRONT VIEW
(3 POST)



TOP VIEW



WALL MOUNT FLANGE

- (8X) - 2 POST GRAB BAR
#8 X 1-3/4" PHILLIPS HEAD SCREW
- (12X) - 3 POST GRAB BAR
#8 X 1-3/4" PHILLIPS HEAD SCREW

SPECIFICATIONS SUBJECT TO CHANGE WITHOUT NOTICE

ALL DIMENSIONS SHOWN TO NEAREST 1/16"