



California Faucets®

# Steampunk Bay™

HANDSHOWER SUPPLY ELBOW

SH-10-85

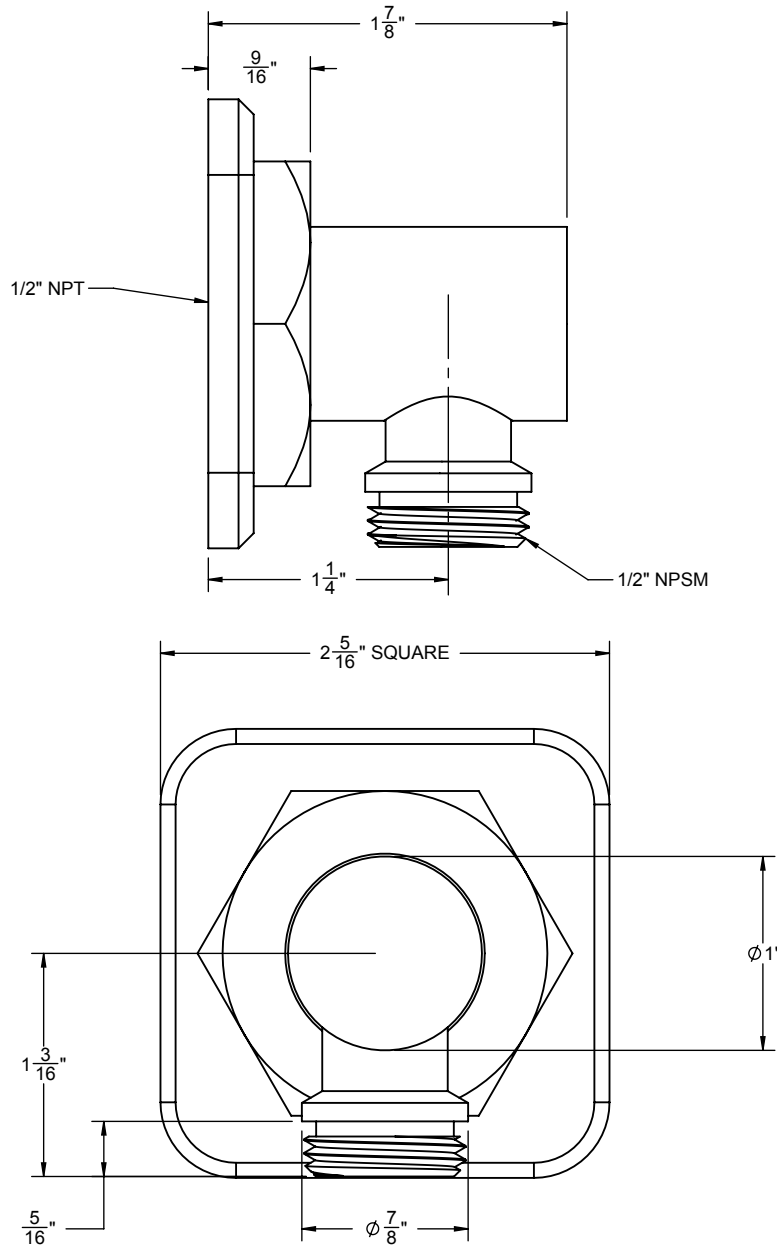
## Features

- All brass construction
- Over 30 finishes including 15 PVD finishes
- 1/2" NPT (female) inlet connection
- 1/2" NPSM (male) outlet connection



## Codes/Standards Applicable

- Product meets or exceeds the following:
- ASME A112.18.1/CSA B125.1





California Faucets®

# SLIDE BAR

## STEAMPUNK HANDSHOWER SLIDE BAR

### Features

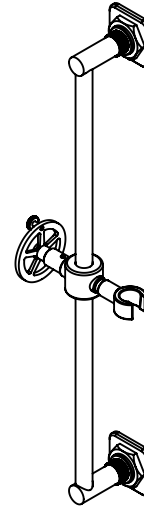
- Available in 28 finishes including 13 PVD finishes
- All brass construction
- Bar pivots 180° without loosening slide handle
- Adjustable position slide with positive-lock swivel holder
- Right or left handed based on installation
- Includes all mounting hardware

### Codes/Standards Applicable

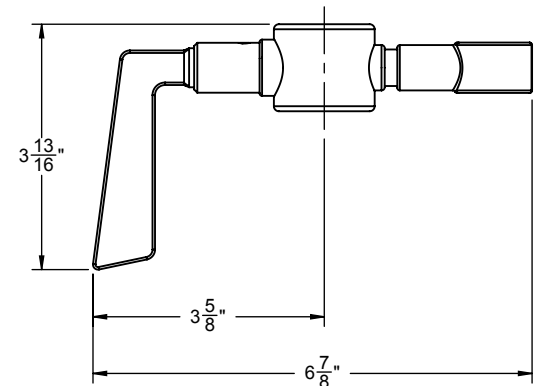
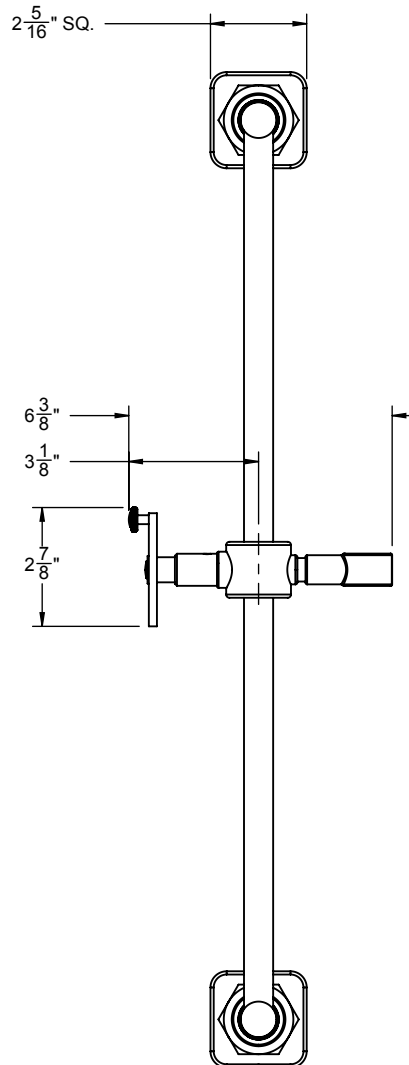
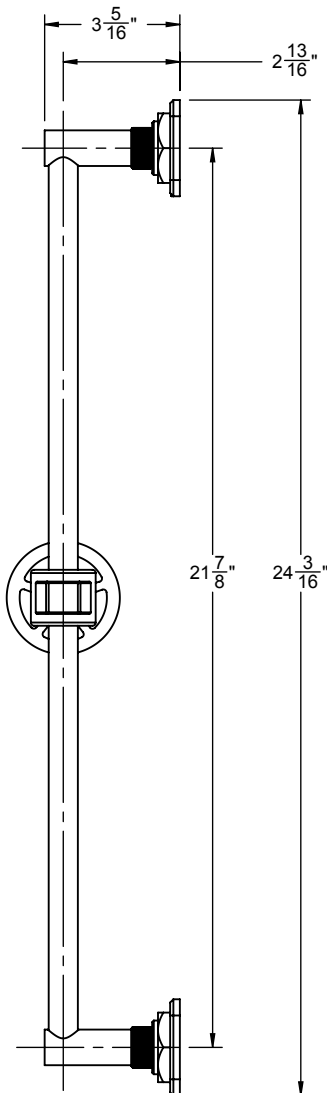
Product meets or exceeds the following:

- ASME A112.18.1/CSA B125.1
- ADA (all lever handles)

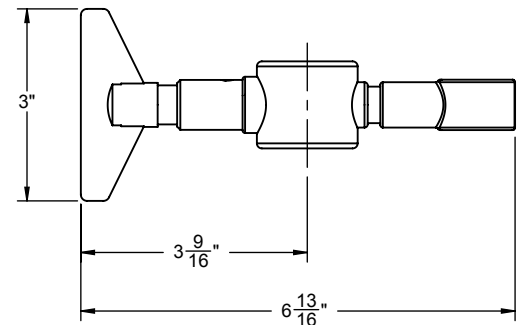
**SB-85**  
**SB-85W**  
**SB-85B**



SB-85W SHOWN



SB-85 HOLDER DIMENSIONS



SB-85B HOLDER DIMENSIONS

- (2X) - #8 X 1" PHILLIPS HEAD SCREW
- (2X) - ANCHOR, PLASTIC #8-10 FINNED

ALL DIMENSIONS SHOWN TO NEAREST 1/16"



### Features

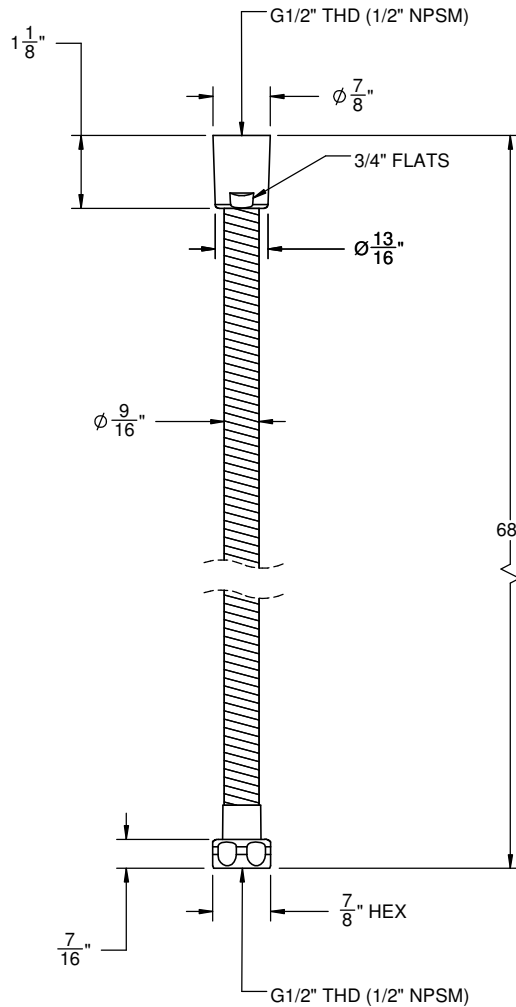
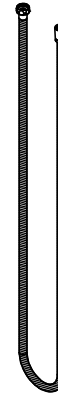
- 1/2" FIP inlet
- 1/2" FIP outlet
- Double spiral out hose for added strength
- Solid brass construction
- Over 30 finishes include 16 PVD finishes

### Codes/Standards Applicable

Meets or exceeds the following at date of manufacture:

- ASME A112.18.1/CSA B125.1

# HS-68



ALL DIMENSIONS SHOWN TO NEAREST 1/16"