



### Features

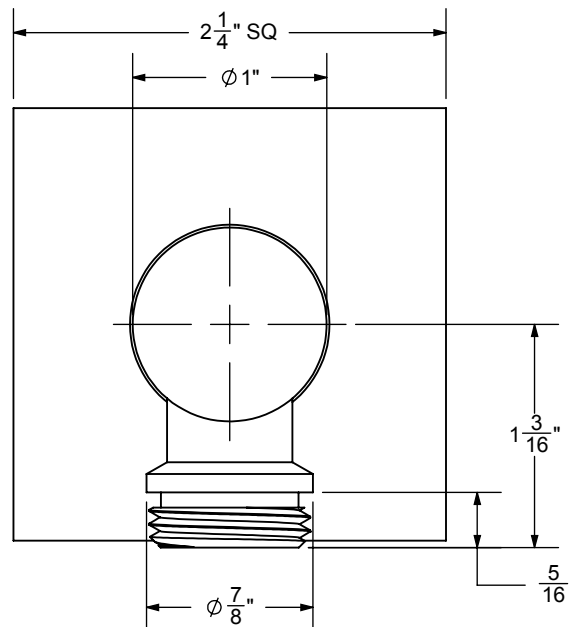
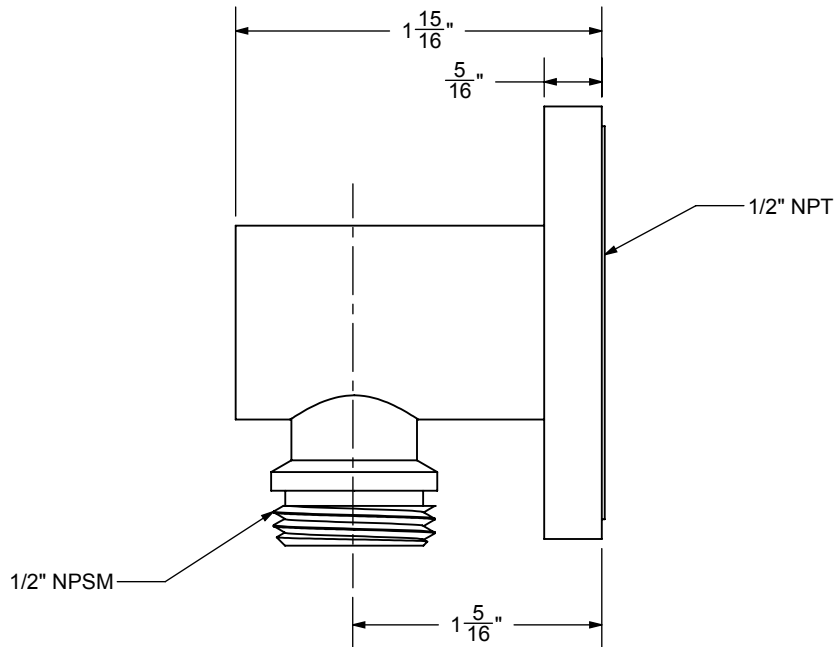
- Over 30 finishes including 13 PVD finishes
- All brass construction
- 1/2" NPT (female) inlet connection
- 1/2" NPSM (male) outlet connection

# SH-10-77



### Codes/Standards Applicable

- Product meets or exceeds the following:
- ASME A112.18.1/CSA B125.1





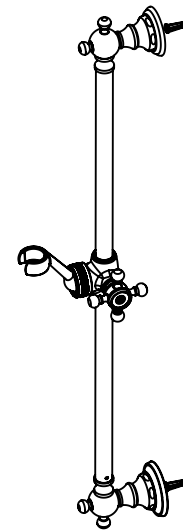
### Features

- Over 30 finishes including 15 PVD finishes
- All brass construction
- Matching handle & escutcheon for all California Faucets series
- Bar pivots 180° without loosening slide handle
- Handshower holder slides up and down on bar
- Handshower holder angle is adjustable
- Handshower holder accepts conical end of hose
- Right or left handed based on installation
- Includes all mounting hardware

### Codes/Standards Applicable

Product meets or exceeds the following:

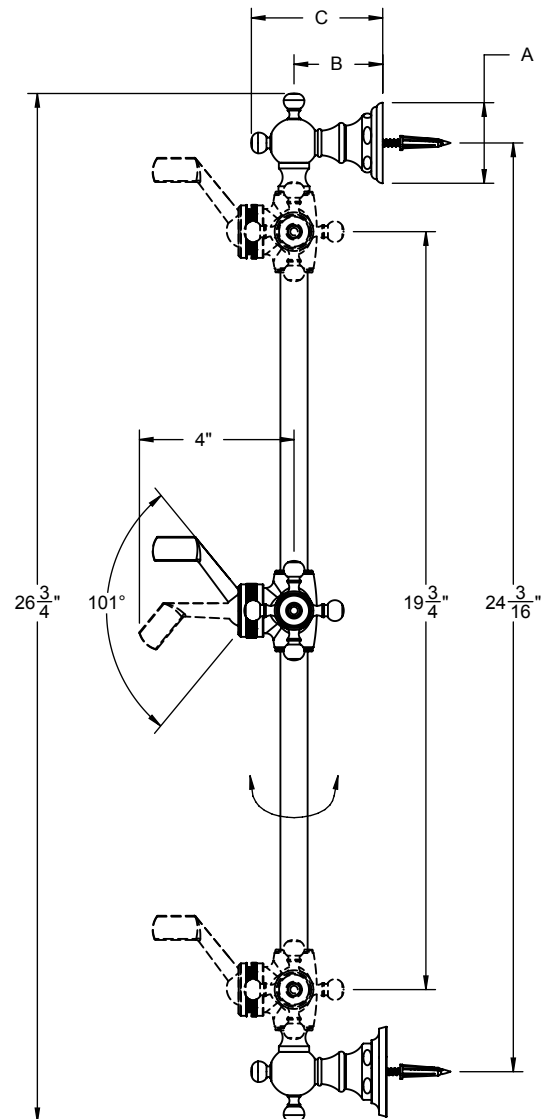
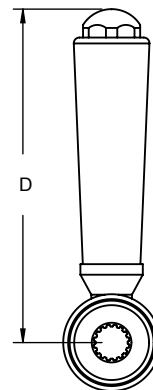
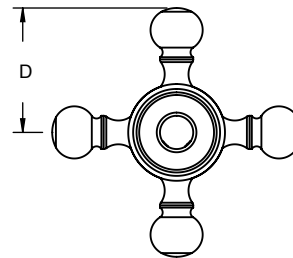
- ASME A112.18.1/CSA B125.1
- ADA (all lever handles)



**SB-XX**

**XX = SERIES HANDLE**

| TABLE (ALL DIMENSIONS SHOWN IN INCHES) |                  |                  |                  |                  |
|--|------------------|------------------|------------------|------------------|
| SERIES                                 | A                | B                | C                | D                |
| 30                                     | $2\frac{5}{16}$  | $2\frac{7}{16}$  | $3\frac{9}{16}$  | 3                |
| 30K, 30F                               | $2\frac{5}{16}$  | $2\frac{7}{16}$  | $3\frac{9}{16}$  | $3\frac{1}{8}$   |
| 30X,<br>30XK,<br>30XF                  | $2\frac{5}{16}$  | $2\frac{7}{16}$  | $3\frac{9}{16}$  | $1\frac{1}{2}$   |
| 33                                     | $2\frac{1}{8}$   | $2\frac{9}{16}$  | $3\frac{11}{16}$ | $3\frac{1}{2}$   |
| 34                                     | $2\frac{1}{8}$   | $2\frac{9}{16}$  | $3\frac{11}{16}$ | $1\frac{1}{8}$   |
| 35                                     | $2\frac{1}{8}$   | $2\frac{9}{16}$  | $3\frac{11}{16}$ | $3\frac{7}{16}$  |
| 36                                     | $2\frac{1}{8}$   | $2\frac{9}{16}$  | $3\frac{11}{16}$ | $3\frac{1}{16}$  |
| 38                                     | $2\frac{7}{8}$   | $2\frac{11}{16}$ | $3\frac{3}{4}$   | $2\frac{7}{8}$   |
| 40                                     | $2\frac{13}{16}$ | $2\frac{5}{8}$   | $3\frac{3}{4}$   | $3\frac{1}{4}$   |
| 42                                     | $2\frac{13}{16}$ | $2\frac{5}{8}$   | $3\frac{3}{4}$   | $2\frac{15}{16}$ |
| 44                                     | 2                | $2\frac{7}{8}$   | $4\frac{1}{16}$  | $2\frac{15}{16}$ |
| 45                                     | $2\frac{5}{16}$  | $2\frac{5}{16}$  | $3\frac{3}{8}$   | 3                |
| 46                                     | $2\frac{5}{16}$  | $2\frac{3}{8}$   | $3\frac{1}{2}$   | $3\frac{7}{16}$  |
| 47                                     | $2\frac{5}{16}$  | $2\frac{3}{8}$   | $3\frac{1}{2}$   | $3\frac{1}{8}$   |
| 48                                     | $2\frac{5}{16}$  | $2\frac{5}{16}$  | $3\frac{13}{16}$ | $3\frac{1}{8}$   |
| 48X                                    | $2\frac{5}{16}$  | $2\frac{5}{16}$  | $3\frac{13}{16}$ | $1\frac{1}{2}$   |
| 50                                     | $2\frac{9}{16}$  | $2\frac{5}{16}$  | $3\frac{3}{8}$   | $2\frac{13}{16}$ |
| 51                                     | $3\frac{1}{4}$   | $2\frac{11}{16}$ | $3\frac{13}{16}$ | $1\frac{1}{16}$  |
| 55                                     | $2\frac{13}{16}$ | $2\frac{5}{8}$   | $3\frac{3}{4}$   | $3\frac{5}{16}$  |
| 59                                     | $2\frac{13}{16}$ | $2\frac{13}{16}$ | $3\frac{7}{8}$   | 3                |
| 60                                     | $2\frac{1}{8}$   | $2\frac{5}{16}$  | $3\frac{7}{16}$  | $1\frac{5}{16}$  |
| 63                                     | $2\frac{5}{16}$  | $2\frac{3}{8}$   | $3\frac{1}{2}$   | $1\frac{9}{16}$  |
| 64                                     | $2\frac{13}{16}$ | $2\frac{13}{16}$ | $3\frac{7}{8}$   | $3\frac{5}{16}$  |
| 67                                     | $2\frac{1}{8}$   | $2\frac{5}{16}$  | $3\frac{7}{16}$  | $1\frac{1}{8}$   |
| 68                                     | $2\frac{1}{8}$   | $2\frac{9}{16}$  | $3\frac{11}{16}$ | $3\frac{3}{8}$   |
| 69                                     | $2\frac{1}{8}$   | $2\frac{9}{16}$  | $3\frac{11}{16}$ | $3\frac{1}{2}$   |



ALL DIMENSIONS SHOWN TO NEAREST 1/16"

