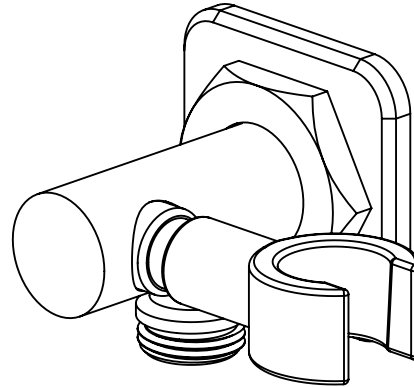




Features

- Available in 28 finishes including 13 PVD finishes
- All brass construction
- 1/2" NPT (female) inlet connection
- 1/2" NPSM (male) outlet connection
- Positive-Lock swivel holder
- Accepts most conical handshower hoses

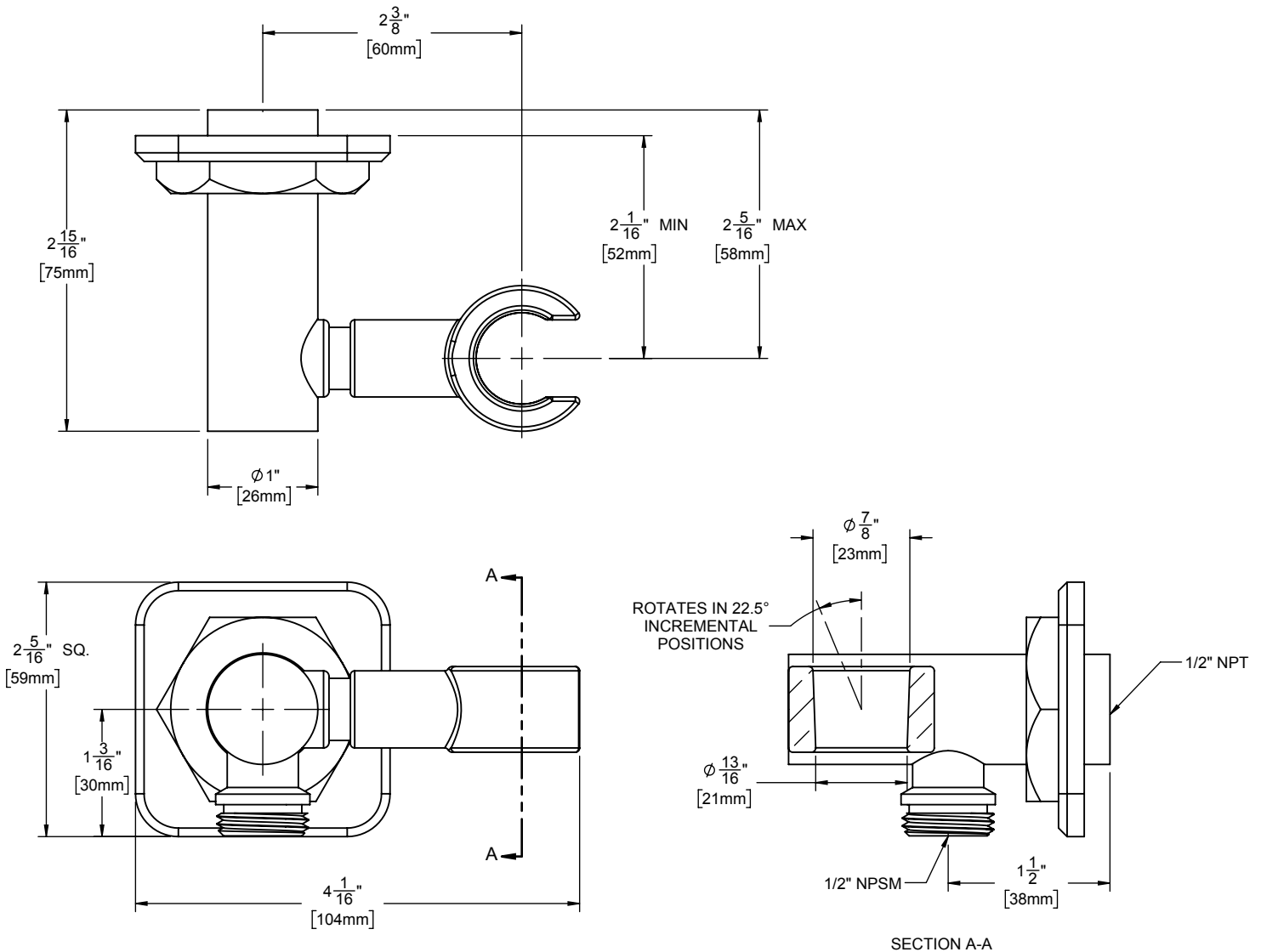
SH-25S-85



Codes/Standards

Product meets or exceeds the following:

- A112.18.1/CSA B125.1





California Faucets®

Handshower

HANDSHOWER HOSE

Features

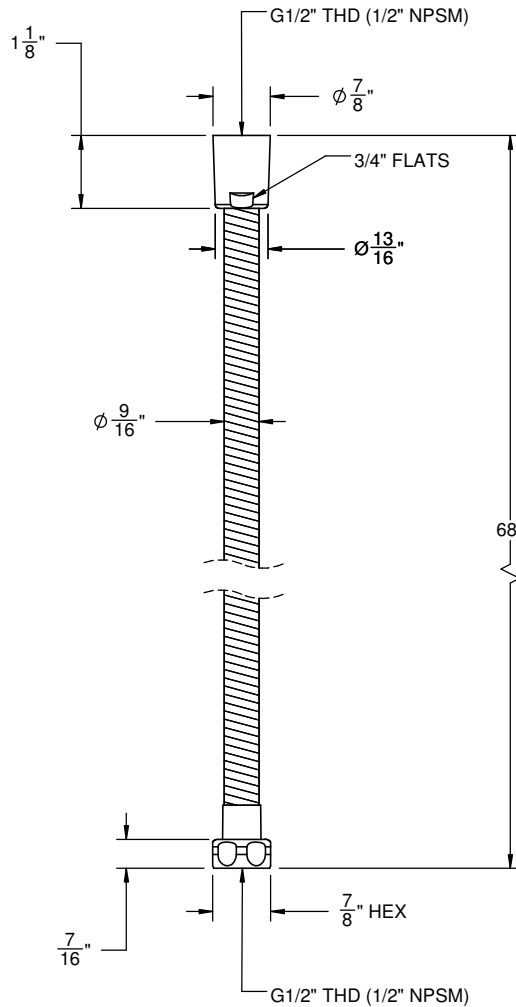
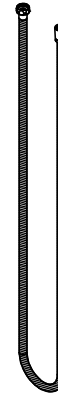
- 1/2" FIP inlet
- 1/2" FIP outlet
- Double spiral out hose for added strength
- Solid brass construction
- Over 30 finishes include 16 PVD finishes

Codes/Standards Applicable

Meets or exceeds the following at date of manufacture:

- ASME A112.18.1/CSA B125.1

HS-68



ALL DIMENSIONS SHOWN TO NEAREST 1/16"