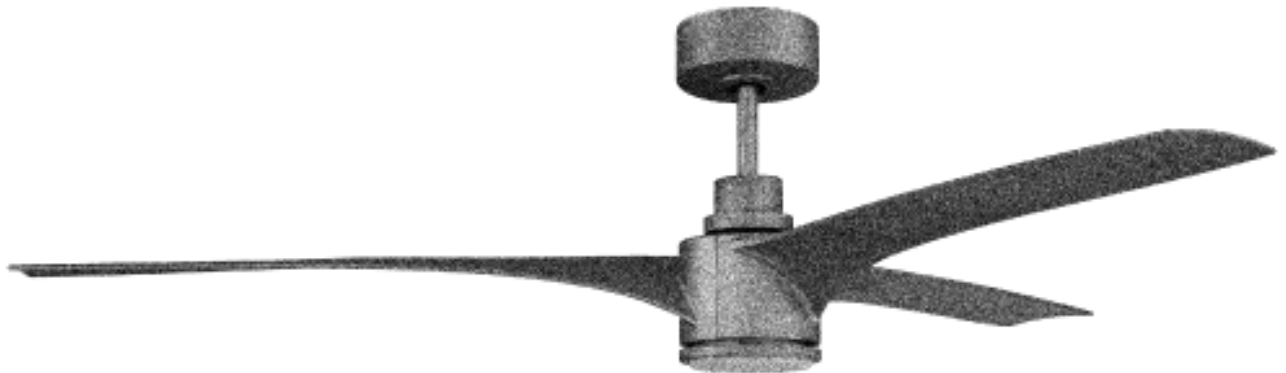


CRAFTMADE™

READ THESE INSTRUCTIONS AND
AND SAVE THEM FOR FUTURE USE



Phoebe

Installation Guide

For Model:
PHB60

WARNING:
**DC Motor will not
operate until blades
are installed**

Table of Contents:

Safety Tips. pg. 3
Unpacking Your Fan. pg. 4
Parts Inventory. pg. 4
Installation Preparation. pg. 5
Hanging Bracket Installation. pg. 5
Blade Assembly. pg. 6
Fan Assembly. pgs. 6 - 7
Wiring. pg. 8
Canopy Assembly. pg. 8
Light Kit Assembly. pg. 9
Automated Learning Process./
Activating Code. pg. 10
Remote Control Operation. pg. 11
Smart Ceiling Fan Wi-Fi Control. pg. 12
Testing Your Fan. pg. 13
Troubleshooting. pg. 14
Warranty. pg. 14
Parts Replacement. pg. 14



APPROVED FOR USE IN
DAMP LOCATIONS

net weight of fan: 11.46 lb (5.2 kg)

Activating Your New Smart Fan; Downloading the Bond Home App

- Using your smart device, navigate to the application store (Apple App store or Google Play), download the free **Bond Home** app and create account.
- Ensure the fan and receiver are receiving power from the house supply using the remote control to turn the fan and light ON and OFF.
- Open the **Bond Home App** on your smart device and follow step-by-step instructions included in the app to add your fan.
- Enjoy fan features and functionality that you can only get from activating the fan through the app.

SAFETY TIPS.

WARNING: To reduce the risk of electrical shock, turn off the electricity to the fan at the main fuse box or circuit panel before you begin the fan installation or before servicing the fan or installing accessories.

1. **READ ALL INSTRUCTIONS AND SAFETY INFORMATION CAREFULLY BEFORE INSTALLING YOUR FAN AND SAVE THESE INSTRUCTIONS.**

CAUTION: To avoid personal injury, the use of gloves may be necessary while handling fan parts with sharp edges.

2. Make sure all electrical connections comply with Local Codes or Ordinances, the National Electrical Code, and ANSI/NFPA 70-1999. If you are unfamiliar with electrical wiring or if the house/building wires are different colors than those referred to in the instructions, please use a qualified electrician.
3. Make sure you have a location selected for your fan that allows clear space for the blades to rotate, and at least seven (7) feet (2.13 meters) of clearance between the floor and the fan blade tips. The fan should be mounted so that the tips of the blades are at least thirty (30) inches (76 centimeters) from walls or other upright structures.
4. The outlet box and ceiling support joist used must be securely mounted, and capable of supporting at least 35 pounds (16 kilograms). The outlet box must be supported directly by the building structure. Use only CETL or CUL in Canada or ETL or UL in USA listed outlet boxes marked "FOR FAN SUPPORT."

WARNING: To reduce the risk of fire, electrical shock, or personal injury, mount to the outlet box marked "Acceptable for Fan Support of 15.9 kg (35 lb) or less," and use the mounting screws provided with the outlet box. Most outlet boxes commonly used for the support of lighting fixtures are not acceptable for fan support and may need to be replaced. Consult a qualified electrician if in doubt.

WARNING: To reduce the risk of fire, electrical shock, or personal injury, wire connectors provided with this fan are designed to accept only one 12 gauge house wire and two lead wires from the fan. If your house wire is larger than 12 gauge or there is more than one house wire to connect to the corresponding fan lead wires, consult an electrician for the proper size wire connectors to use.

5. Electrical diagrams are for reference only.
6. After installation is complete, check that all connections are absolutely secure.
7. After making electrical connections, spliced conductors should be turned upward and pushed carefully up into the outlet box. The wires should be spread apart with the grounded conductor and the equipment-grounding conductor on opposite sides of the outlet box.

WARNING: To reduce the risk of serious bodily injury, DO NOT use power tools to assemble any part of the fan, including the blades.

WARNING: To reduce the risk of fire or electrical shock, do not use this fan with any solid state speed control device or control fan speed with a full range dimmer switch. [Using a full range dimmer switch to control fan speed will cause a loud humming noise from fan.]

8. Do not operate the reverse switch until the fan has come to a complete stop. [**Note:** If using remote control with reverse capability, reverse fan blade direction only when on LOW speed.]

WARNING: To reduce the risk of personal injury, do not insert objects into the path of the blades.

WARNING: To avoid personal injury or damage to the fan and other items, be cautious when working around or cleaning the fan.

9. Do not use detergents when cleaning the fan or fan blades. A dry dust cloth or lightly dampened cloth will be suitable for most cleaning.

WARNING: To reduce the risk of personal injury, use **only** parts provided with this fan. **The use of parts OTHER than those provided with this fan will void the warranty.**

WARNING: This fan MUST be installed with the safety cable provided with the fan. Failure to use the safety cable provided may result in personal injury, damage to the fan or damage to other property.

CAUTION: Metal cover for use without light kit will be HOT if light is left on. To reduce the risk of personal injury, light kit must be OFF. Do NOT use light button on remote control if installing metal cover.

CAUTION: Do NOT tamper with or attempt to repair LED component of fixture. The light source is designed for this specific application and should not be serviced by untrained personnel. If any servicing is required, call our customer service department.

10. Light kit is dimmable to 10% with the remote control included.

Modifications not approved by the party responsible for compliance could void the user's authority to operate the equipment. [The equipment refers to the remote and/or wall control and/or LED light kit.]

NOTE: This equipment has been tested and found to comply with the limits for a Class B digital device, pursuant to Part 15 of the FCC Rules. These limits are designed to provide reasonable protection against harmful interference in a residential installation. This equipment generates, uses and can radiate radio frequency energy and, if not installed and used in accordance with the instructions, may cause harmful interference to radio communications. However, there is no guarantee that interference will not occur in a particular installation. If this equipment does cause harmful interference to radio or television reception, which can be determined by turning the equipment off and on, the user is encouraged to try to correct the interference by one or more of the following measures:

- * Reorient or relocate the receiving antenna.
- * Increase the separation between the equipment and receiver.
- * Connect the equipment into an outlet on a circuit different from that to which the receiver is connected.

Consult the dealer or an experienced radio/TV technician for help.

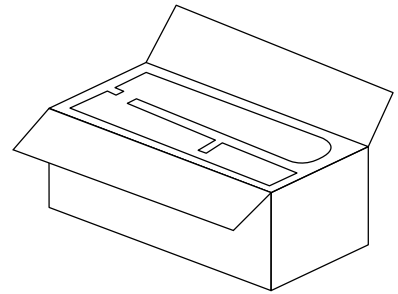
The LED light kit complies with Part 15 of the FCC Rules. Operation is subject to the following two conditions: (1) this LED light kit may not cause harmful interference, (2) this LED light kit must accept any interference received, including interference that may cause undesired operation.

Distributed by: Craftmade, 650 S. Royal Lane, Coppell, TX, 75019; 1-800-486-4892

NOTE: The important safety precautions and instructions appearing in the manual are not meant to cover all possible conditions and situations that may occur. It must be understood that common sense and caution are necessary factors in the installation and operation of this fan.

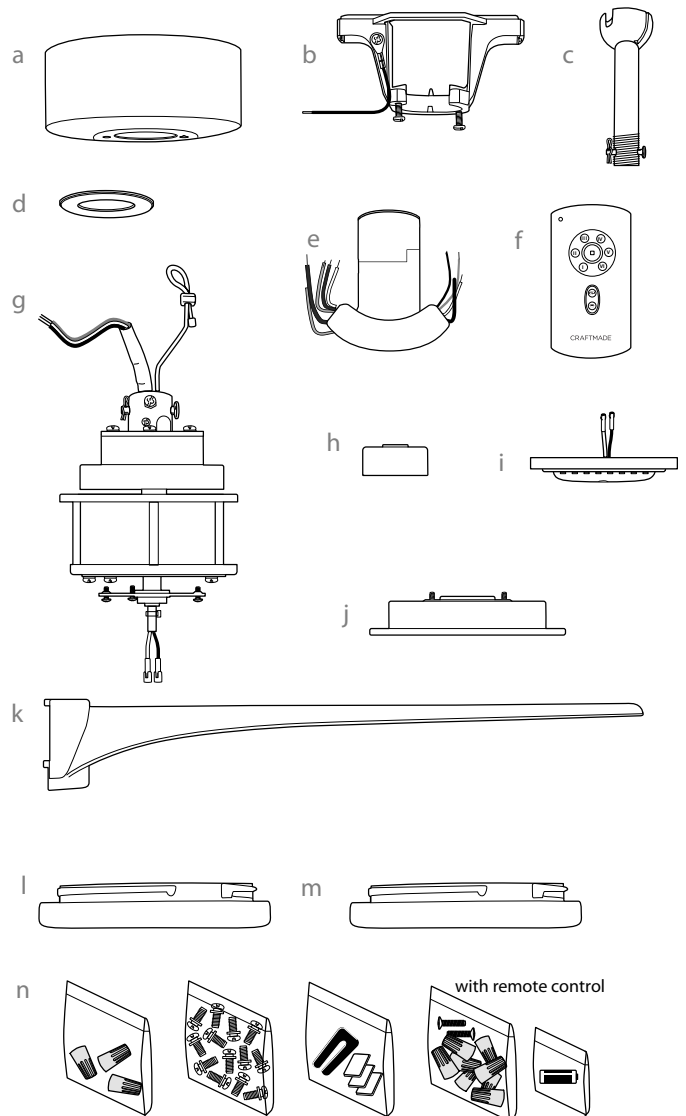
1. Unpacking Your Fan.

Carefully open the packaging. Remove items from Styrofoam inserts. Remove motor housing and place on carpet or Styrofoam to avoid damage to finish. Do not discard fan carton or Styrofoam inserts should this fan need to be returned for repairs. Check against parts inventory that all parts have been included.



2. Parts Inventory.

- a.** canopy. 1 piece
- b.** hanging bracket. 1 piece
- c.** downrod and hanging ball with pin and clip. 1 piece
- d.** canopy cover. 1 piece
- e.** remote control receiver. 1 piece
- f.** remote control transmitter. 1 piece
- g.** motor housing. 1 piece
- h.** yoke cover. 1 piece
- i.** LED light kit. 1 piece
- j.** fitter plate. 1 piece
- k.** blade. 3 pieces
- l.** shade. 1 piece
- m.** metal cover. 1 piece
- n.** hardware packs



! IMPORTANT REMINDER: You must use the parts provided with this fan for proper installation and safety. **!**

3. Installation Preparation.

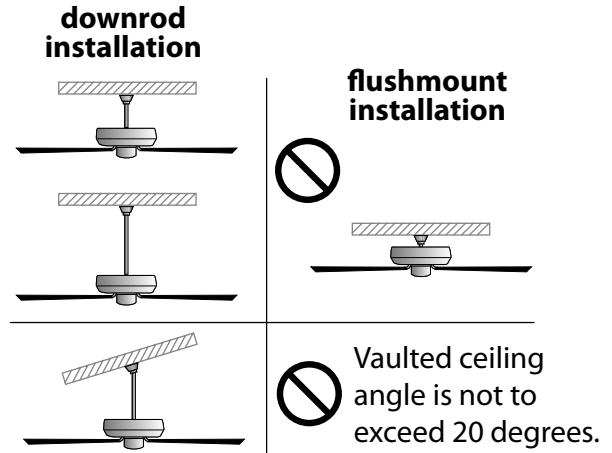
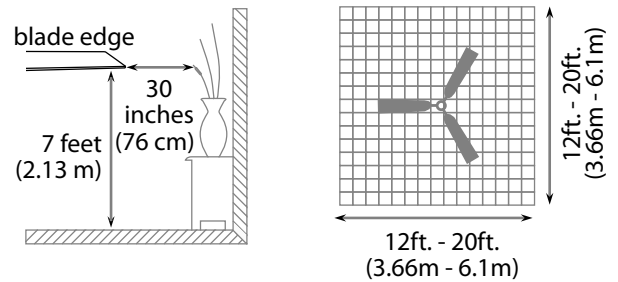
To prevent personal injury and damage, ensure that the hanging location allows the blades a clearance of 7 feet (2.13m) from the floor and 30in. (76cm) from any wall or obstruction.

This fan is suitable for room sizes up to 400 square feet (37.2 square meters).

This fan can be mounted with a **downrod** on a regular (no-slope) or vaulted ceiling. The hanging length can be extended by purchasing a longer downrod (0.5in./1.27cm diameter). Other installation, such as **flushmount**, is *NOT* available for this fan.

Installation requires these tools:

Phillips screwdriver, flathead screwdriver, adjustable pliers or wrench, stepladder, wire cutters, and rated electrical tape.



4. Hanging Bracket Installation.

Turn off circuit breakers to current fixture from breaker panel and be sure operating light switch is turned to the OFF position.

WARNING: Failure to disconnect power supply prior to installation may result in serious injury.

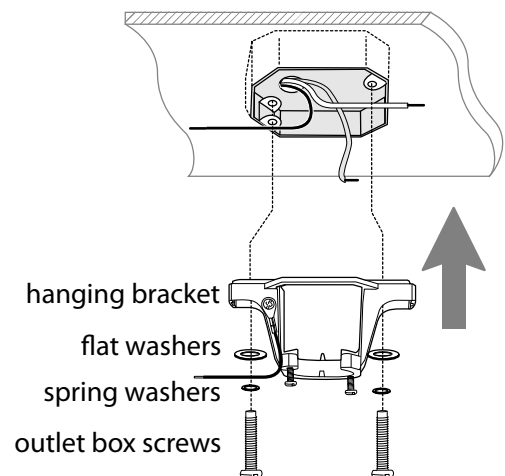
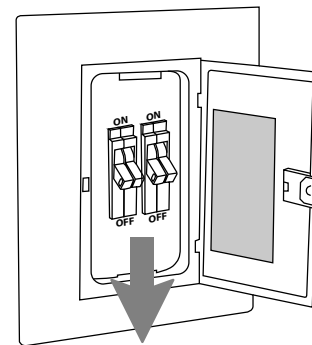
Remove existing fixture.

WARNING: When using an existing outlet box, be sure the outlet box is securely attached to the building structure and can support the full weight of the fan. Ensure outlet box is clearly marked "Suitable for Fan Support." If not, it must be replaced with an approved outlet box. Failure to do so can result in serious injury.

CAUTION: Be sure outlet box is properly grounded and that a ground (**GREEN** or bare) wire is present.

Install hanging bracket to outlet box using original screws, spring washers and flat washers provided with new or original outlet box.* If installing on a vaulted ceiling, face opening of hanging bracket towards high point of ceiling. Arrange electrical wiring around the back of the hanging bracket.

***Note:** It is very important that you use the proper hardware when installing the hanging bracket as this will support the fan.



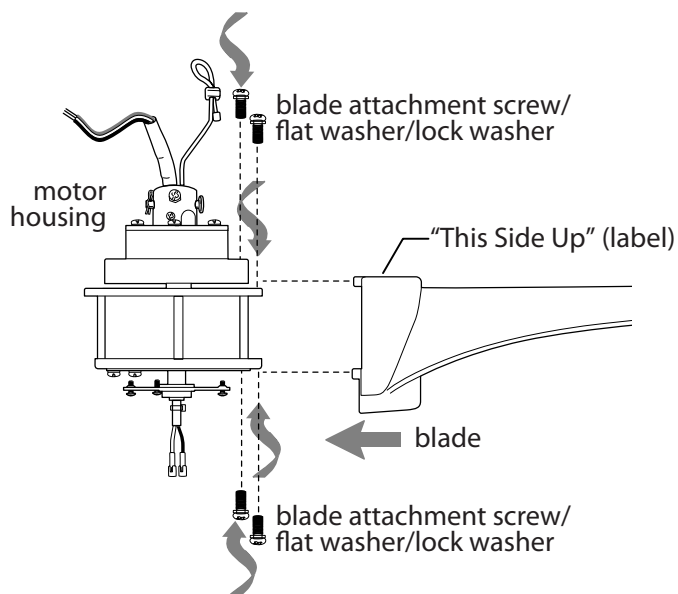
5. Blade Assembly.

WARNING: To reduce the risk of serious bodily injury, DO NOT use power tools to assemble the blades. If blade screws are overtightened, blades may crack and break.

Locate 12 blade attachment screws/flat washers/lock washers in hardware pack.

Turn blade so the end imprinted with THIS SIDE UP is turned toward the ceiling. Place one blade on the side of the motor housing *as shown*, aligning holes in top and bottom ends of blade with holes on top and bottom of the motor housing. Insert one blade attachment screw/flat washer/lock washer into each hole on the topside of blade with fingers first and then partially tighten screws securely with a Phillips screwdriver. Repeat procedure for remaining blades. Carefully turn motor housing over. Insert one blade attachment screw/flat washer/lock washer into each motor screw hole with fingers first and then tighten screws with a screwdriver. **Securely tighten all 12 screws only after all 3 blades have been attached.**

NOTE: Tighten blade attachment screws twice a year.



6. Fan Assembly.

Remove hanging ball from downrod provided by loosening set screw on hanging ball. Remove pin and clip. Lower hanging ball and remove stop pin. Then slide hanging ball off downrod. [Refer to **diagram 1**.]

Loosen yoke set screws and nut at top of motor housing. [Refer to **diagram 2**.]

Tip: To prepare for threading electrical wires through downrod, apply a small piece of electrical tape to the ends of the electrical wires--this will keep the wires together when threading them through the downrod. [Refer to **diagram 2**.]

Determine the length of downrod you wish to use. Thread safety cable and electrical wires through threaded end of downrod and pull extra wire slack from the upper end of the downrod. [Refer to **diagram 2**.]

Thread downrod into the motor housing yoke until holes for pin and clip in downrod align with holes in yoke--*make sure wires do not get twisted*. Re-insert pin and clip that were previously removed. Tighten yoke set screws and nut securely. [Refer to **diagram 2**.]

["Fan Assembly" continued on next page.]

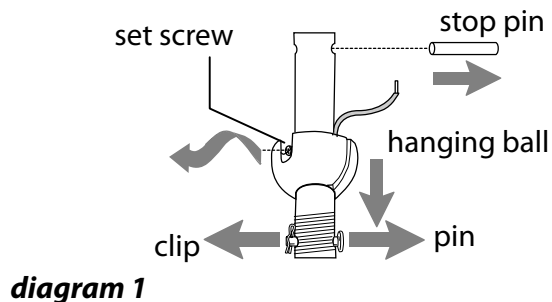


diagram 1

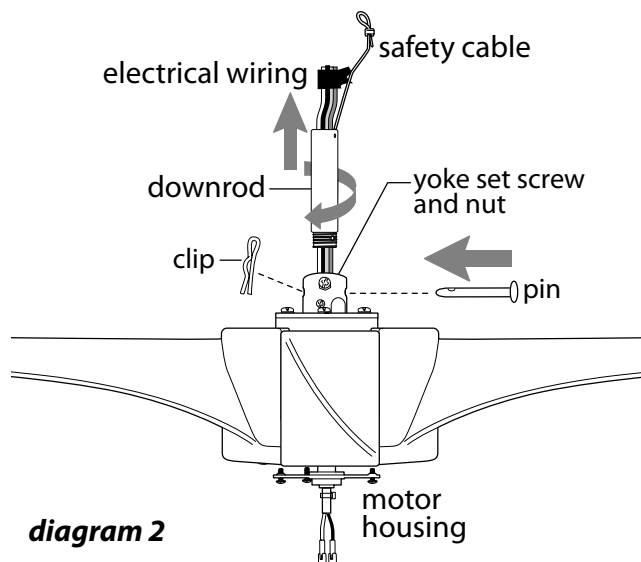


diagram 2

6. Fan Assembly. (cont.)

Slide yoke cover, canopy cover and canopy over downrod. [Refer to **diagram 3**.] (**Note:** Canopy cover must be turned with smooth side *toward* the motor housing.)

Thread safety cable and wires through hanging ball; then, slide hanging ball over downrod--the top of the downrod should be noted as having a set screw hole; use this hole when setting the set screw. Insert stop pin into top of downrod and raise hanging ball. Be sure stop pin aligns with slots on the inside of the hanging ball. Tighten set screw securely. [Refer to **diagram 4**.]

WARNING: Failure to tighten set screw (on hanging ball) completely could result in the fan becoming loose and possibly falling.

With the hanging bracket secured to the outlet box and able to support the fan, you are now ready to hang your fan. Grab the fan firmly with two hands. Slide downrod through opening in hanging bracket and let hanging ball rest on the hanging bracket. Turn the hanging ball slot until it lines up with the hanging bracket tab. [Refer to **diagram 5**.]

WARNING: Failure to align slot in hanging ball with tab in hanging bracket may result in serious injury or death.

Tip: Seek the help of another person to hold the stepladder in place and to help lift the fan up to you once you are set on the ladder.

Find a secure attachment point (wood ceiling joist highly recommended) and secure safety cable. It will be necessary to use a heavy duty wood screw, washer and lock washer (not supplied) with the safety cable loop. If necessary, adjust the loop at the end of the safety cable. The loop at the end of the safety cable should just fit over the threads on the wood screw. *Test safety cable by pulling on loose end of cable with pliers. If the safety cable slips, the loop must be adjusted tighter.* Extra cable slack can be left in ceiling area. [Refer to **diagram 5**.]

NOTE: The important safety precautions and instructions appearing in the manual are not meant to cover all possible conditions and situations that may occur. It must be understood that common sense and caution are necessary factors in the installation and operation of this fan.

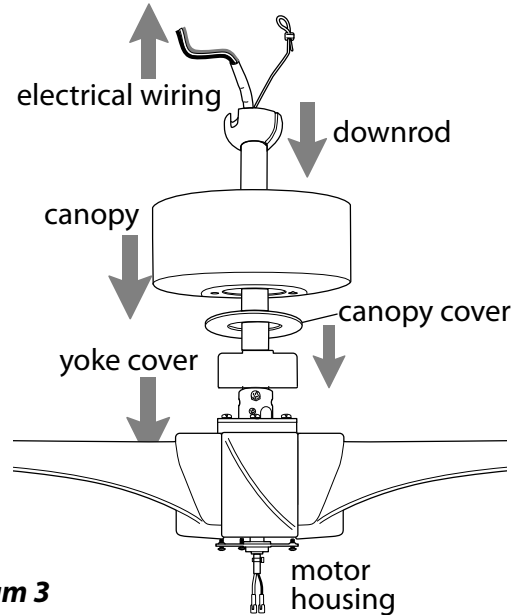


diagram 3

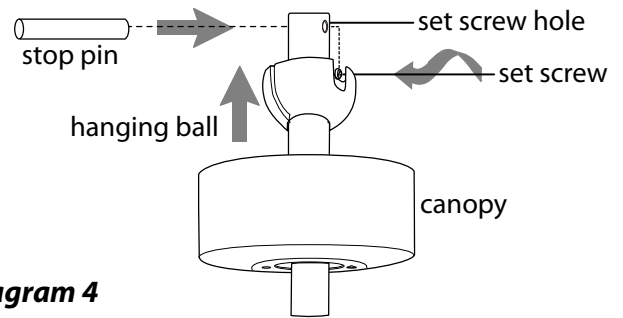


diagram 4

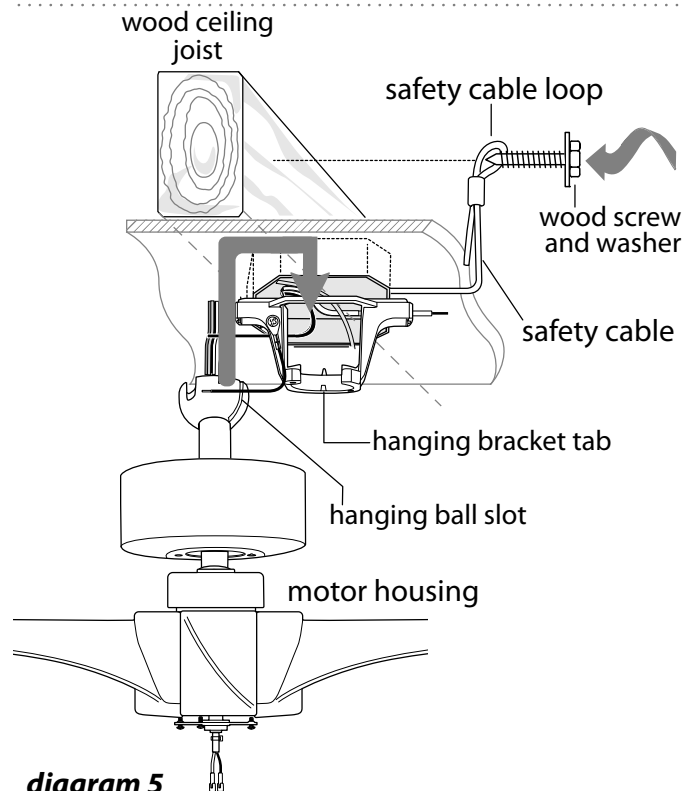


diagram 5

7. Wiring.

WARNING: Turn off circuit breakers to current fixture from breaker panel and be sure switch is turned to the OFF position.

CAUTION: Be sure outlet box is properly grounded and that a ground wire (**GREEN** or **Bare**) is present.

Make sure all electrical connections comply with Local Codes or Ordinances and the National Electrical Code. If you are unfamiliar with electrical wiring or if the house/building wires are different colors than those referred to in the diagram to the right, please use a qualified electrician.

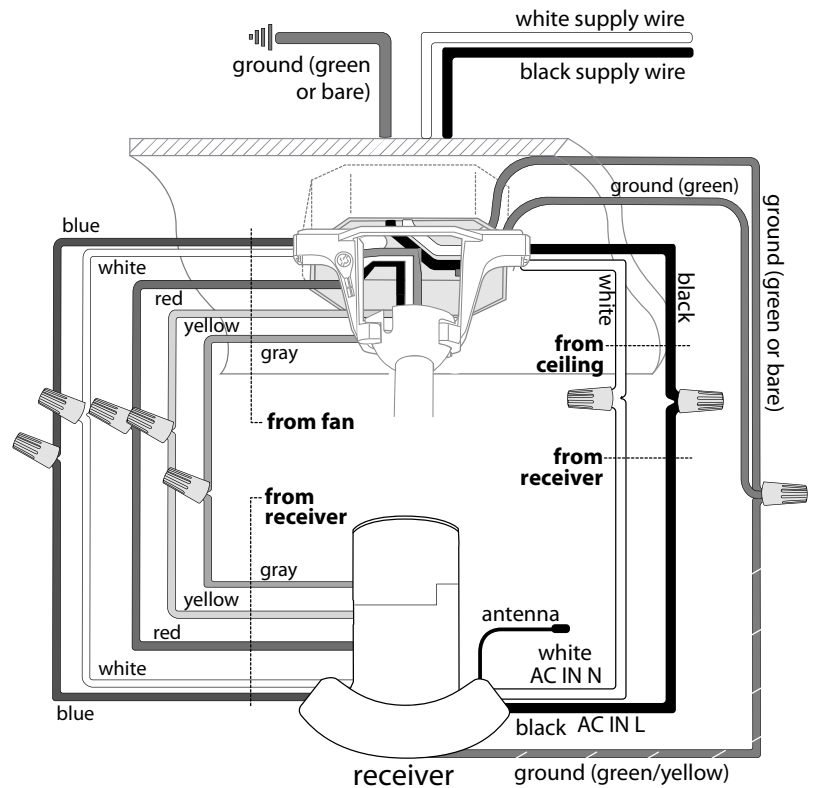
Note: Excess lead wire length from the fan can be cut to the desired length and then stripped.

When downrod is secured in place on the hanging bracket, wire the **RECEIVER** with wire connectors provided as shown in diagram at right.

Tip: While you are wiring, keep in mind that wires must not obstruct receiver from sliding into hanging bracket.

* Wrap each wire connector separately with electrical tape as an extra safety measure.

Gently insert receiver (flat side up) into hanging bracket and carefully push wires and taped wire connectors into outlet box. Let antenna rest *outside* of hanging bracket.



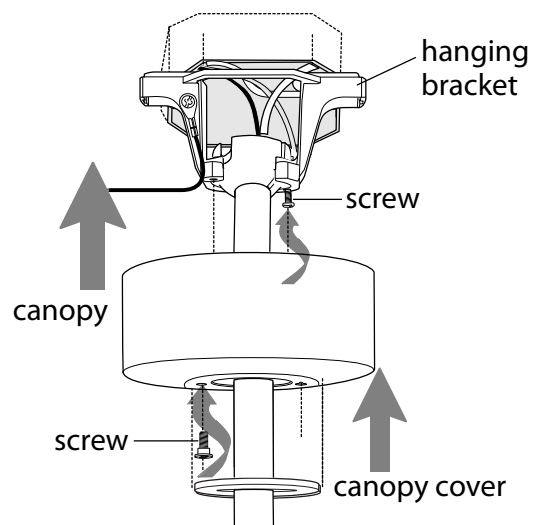
(wiring for receiver)



8. Canopy Assembly.

Locate 2 screws on underside of hanging bracket and remove screw closest to the open end of the hanging bracket. Partially loosen the other screw. Lift canopy to hanging bracket. Place rounded part of slotted hole in canopy over loosened screw in hanging bracket and push up. Twist canopy to lock. Re-insert screw that was removed and then tighten both screws securely.

Slide canopy cover up to canopy, aligning protrusions on canopy cover with notches in the hole in the bottom of center of the canopy. Press up gently but firmly on the canopy cover until it fits into the bottom of the canopy and then turn canopy cover to the right (clockwise) about 1/2 in.



9. Light Kit Assembly.

Remove 1 screw from motor plate on underside of motor housing and partially loosen the other 2 screws. Align slotted holes in fitter plate with loosened screws in motor plate, allowing molex connections from motor housing to come through hole in middle of fitter plate. Twist fitter plate to lock. Re-insert screw that was just removed and securely tighten all 3 screws with a Phillips screwdriver.

Remove 2 screws from underside of fitter plate and partially loosen the other screw.

Connect **WHITE** wire from motor housing to **WHITE** wire from LED light kit. Connect **BLUE** (or **BLACK**) wire from motor housing to **BLUE** wire from LED light kit. Be sure molex connections snap together securely.

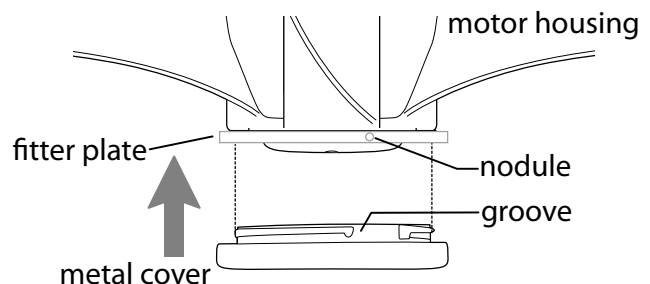
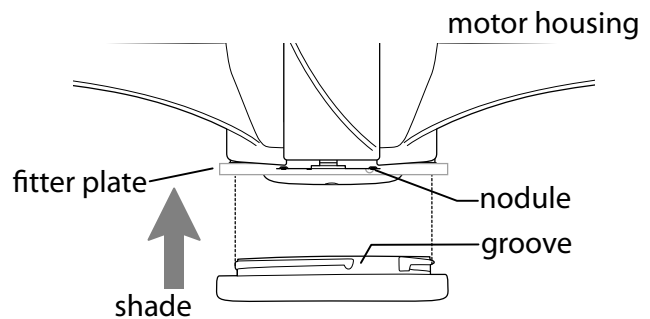
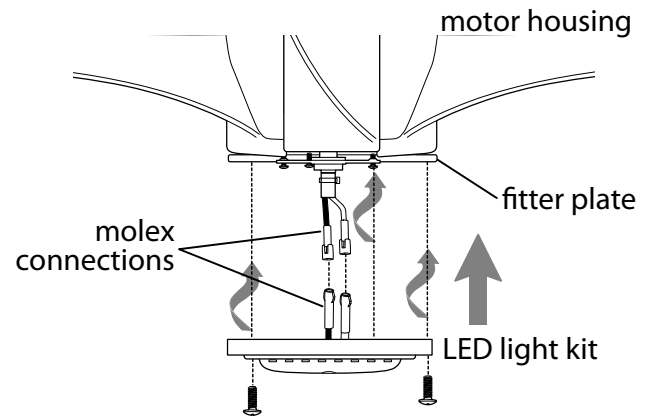
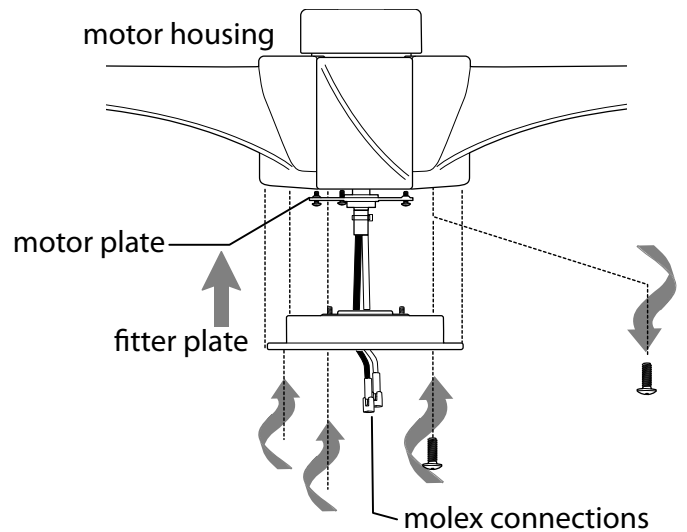
Carefully arrange wiring within fitter plate. Align one of the openings on the outer rim of the LED light kit with the loosened screw in the fitter plate. Then, slide the LED light kit toward the loosened screw and push up on the LED light kit, aligning the other 2 openings in the LED light kit with the holes in the fitter plate. Re-insert the 2 screws that were previously removed and tighten all 3 screws securely.

If you wish to USE the light kit, align grooves on shade with nodules on inside of fitter plate and push up gently on shade. Turn shade to the **RIGHT** (clockwise) until shade locks into place.

Pull down VERY GENTLY on shade to make sure that shade is secure.

If you do NOT wish to use the light kit, align grooves in metal cover with nodules on inside of fitter plate. Push up on metal cover and then turn metal cover to the **RIGHT** (clockwise) until it no longer turns.

WARNING: Metal cover will be **HOT** if light is left on.



10. Automated Learning Process./Activating Code.

CAUTION: The remote control transmitter can be programmed to multiple receivers or fans. If this is not desired, turn wall switch off to any other programmable receiver or fan.

Remove battery cover on back side of remote control transmitter. Install one 12-volt battery (included).

WARNING: Battery is to be inserted with the correct polarity.

Restore electrical power. Within 60 seconds of restoring the power, press and hold the fan **SET** button for 5 seconds or until light blinks twice. Then replace the battery cover.

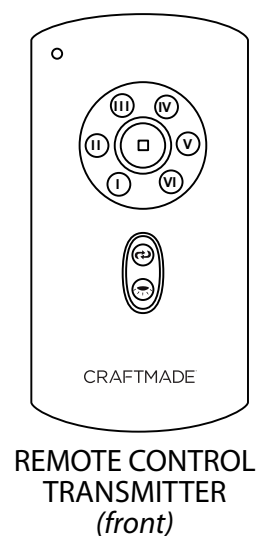
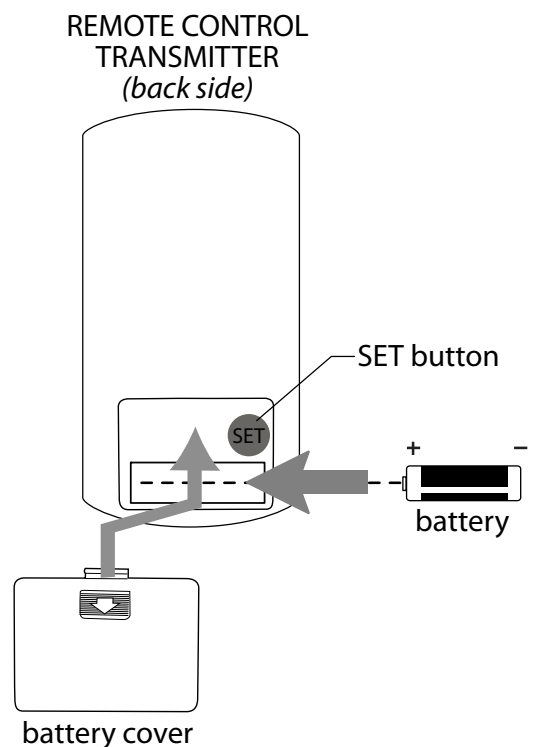
NOTE: Remove battery with low or no charge and dispose of properly.

IMPORTANT: Store the remote control transmitter away from excess heat or humidity. To prevent damage to remote control transmitter, remove the battery if remote control transmitter will not be used for long periods.

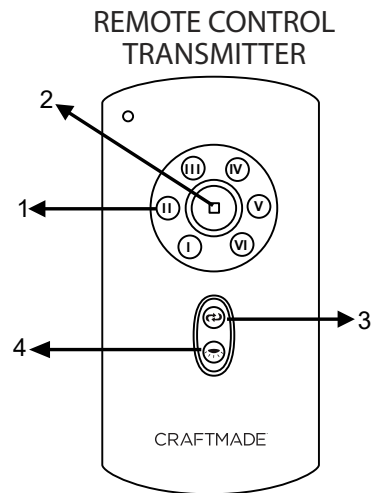
CAUTION: "DO NOT DISPOSE OF BATTERIES IN FIRE, BATTERIES MAY EXPLODE OR LEAK." - When disposing of household alkaline batteries, it is best to check with your local and state recycling or household hazardous waste coordinators concerning the specifics of the program in your area. You may also locate a recycling center by calling 1-800-8-BATTERY or 1-877-2-RECYCLE or visit www.epa.gov/epawaste/index.htm or www.earth911.org for more information.

WARNING: Choking Hazard - Small parts. Keep battery away from children.

WARNING: Battery is NOT rechargeable. A non-rechargeable battery is not to be recharged.



11. Remote Control Operation.



1--Fan **SPEED** buttons:

Use to control fan speeds 1-6

2--Fan **OFF** button:

Use to turn the fan off

3--**REVERSE** function button:

Use to control direction of fan rotation

4--**LIGHT** button:

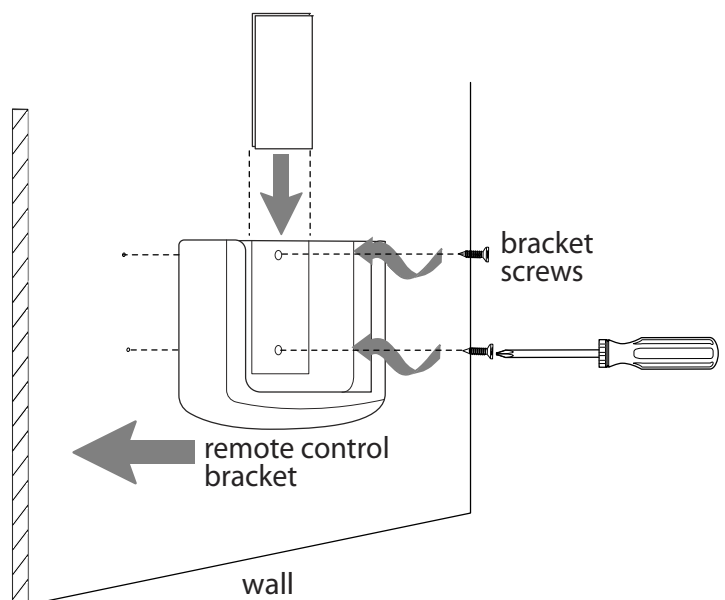
Use to control light

IMPORTANT: *The Automated Learning Process takes approximately 5 minutes to complete.*

Please **leave the fan "ON"** for the duration of the 5-minute programming and **do NOT use the remote control or turn off the power** during this time.

The fan will **cycle through ALL SIX (6) speeds in forward and reverse** and will **then stop automatically** after the learning process is complete.

If you wish to use the remote control bracket, install screws from hardware pack through bracket and into the desired installation site *as shown at right*. The remote control transmitter rests inside the bracket.



12. Smart Ceiling Fan Wi-Fi Control. (Optional)

Without Wi-Fi activation, you will not enjoy the expanded features and functionality of your ceiling fan: Breeze speed setting, Creating Schedules and Voice Activation.

To enjoy all the potential of your new device, refer to the following steps to complete Smart setup.

1. Download the **Bond Home App**, available on the Google Play Store and Apple App Store, or use the QR code to download the app.
2. Open the **Bond** application.
3. If you already have a **Bond** account, simply log in and continue to Step 4. If you do not have a **Bond** account, press "**Create Account**" and enter your name, email and create a password.
4. Select "+" to add a device.
5. Select "**Smart By Bond**" (SBB).
6. Select this smart ceiling fan.
7. Once the **Bond** application connects to the fan, select "**CONTINUE**" to proceed.
8. Test the fan functions:
 - You have the option to disable the light function if your fan does not have a light.
9. Select "**YES, IT WORKS.**"
10. Specific information about your fan:
 - Select "**Location**" and choose from one of the predefined entries or add your own by selecting "**OTHER**". When finished, select "**Save**".
 - Select device name and enter the name for your device. When finished, select "**OK**" to save.



PLEASE NOTE: This name will be used for integrations so a simple, easy-to-remember name is best.
11. Select "**Continue**".
12. Select the Wi-Fi network you would like to connect the SBB to.
13. Enter the Wi-Fi password and select "**OK**".
14. If there is an issue with the connection or wrong password is entered, you will receive an error message. Select "**OK, I've Got It**".
15. Once the connection is made, select "**DONE**".
16. If the SBB fan is not displayed in the Bond application, swipe down to refresh.




For assistance at any time during this process, go to the "**Help**" section of the app:

- Tap on "**Settings**"
- Tap on "**Help Center**"
- Choose "**Open a Ticket**" or "**Live Chat**"

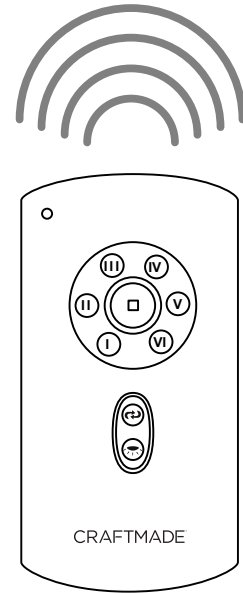
13. Testing Your Fan.

It is recommended that you test fan before finalizing installation. Restore power from circuit box and wall switch (if applicable). Test fan speeds with the different fan speed buttons (I - VI) on remote control transmitter. Test the light ON/OFF function by pressing the  button, test the dimmer function by pressing the  button and holding it down for up to 5 seconds. If the remote control transmitter operates all of the functions of the fan, battery has been installed correctly. If the remote control transmitter does not operate all of the fan functions, refer to "Troubleshooting" section to solve any issues before contacting Customer Service.

Fan must be on LOW before setting the fan in reverse. Use  button to recirculate air depending on the season. A ceiling fan will allow you to raise your thermostat setting in summer and lower your thermostat setting in winter without feeling a difference in your comfort.

NOTE: If the remote control transmitter interferes with other appliances, **turn the power off first**. Then, go back to the instructions for the SET button in Section 10 (page 10) to activate a new code on the remote control transmitter.

IMPORTANT: Remote control transmitter must be synchronized with fan in order to properly function.



Troubleshooting.

WARNING: Failure to disconnect power supply prior to troubleshooting any wiring issues may result in serious injury.

Problem: Fan fails to operate.

Solutions:

1. Check wall switch to fan.
2. Check to be sure fan is wired properly.
3. Learning process between fan and remote control transmitter may not have been successful and code was not activated. Turn off power and repeat instructions for SET button in Section 10 (page 10).
4. Check that red light on remote control turns on when a button is pressed indicating that the battery is good.
5. Verify receiver is wired properly.
6. Verify that molex connections in LED light kit are properly connected.

Problem: Light kit not lighting.

Solutions:

1. Check wall switch to fan.
2. Check to be sure wires in canopy are wired properly.
3. Verify that molex connections in LED light kit are properly connected.
4. Learning process between fan and remote control transmitter may not have been successful and code was not activated. Turn off power and repeat instructions for SET button in Section 10 (page 10).

Problem: Fan and light fail to operate with remote control.

Solutions:

1. Check battery power to remote control.
2. Learning process between fan and remote control transmitter may not have been successful and code was not activated. Turn off power and repeat instructions for SET button in Section 10 (page 10).

Problem: Fan wobbles.

Solutions:

1. Use the balancing kit provided in one of the hardware packs. *If no blade balancing kit is provided, please call Customer Support, 1-800-486-4892, to request one.*
2. Check to be sure set screw(s) on motor housing yoke is (are) tightened securely.
3. Check to be sure set screw on hanging ball is tightened securely.

Warranty.

CRAFTMADE™ LIFETIME LIMITED WARRANTY:

CRAFTMADE warrants this fan to the original household purchaser for indoor use under the following provisions:
1-YEAR WARRANTY: CRAFTMADE will replace or repair any fan which has faulty performance due to a defect in material or workmanship. Contact Craftmade Customer Service at **1-800-486-4892** to arrange for return of fan. Return fan, shipping prepaid, to Craftmade. We will repair or ship you a replacement fan, and we will pay the return shipping cost.

5-YEAR WARRANTY: CRAFTMADE will repair or replace, at no charge to the original purchaser, any fan motor that fails to operate satisfactorily when failure results from normal use.

RETURN FAN MOTOR ONLY, shipping prepaid, to Craftmade Industries. We will repair or ship purchaser a replacement motor and Craftmade will pay the return shipping cost.

6-YEAR TO LIFETIME LIMITED WARRANTY: CRAFTMADE will repair the fan, at no charge for labor only to the original purchaser, if the fan motor fails to operate satisfactorily when failure results from normal use. Parts used in the repair will be billed to the purchaser at prevailing prices at time of repair.

The purchaser shall be responsible for all costs incurred in the removal, reinstallation and shipping of the product for repairs.

This warranty does not apply when damage from mechanical, physical, electrical or water abuse results in causing the malfunction. Deterioration of finishes or other parts due to time or exposure to salt air is specifically exempted under this warranty.

Neither Craftmade nor the manufacturer will assume any liability resulting from improper installation or use of this product. In no case shall the company be liable for any consequential damages for breach of this, or any other warranty expressed or implied whatsoever. This limitation as to consequential damages shall not apply in states where prohibited.

Parts Replacement.

For parts and information, please refer to "Parts Inventory" on page 4.

Craftmade Customer Support:

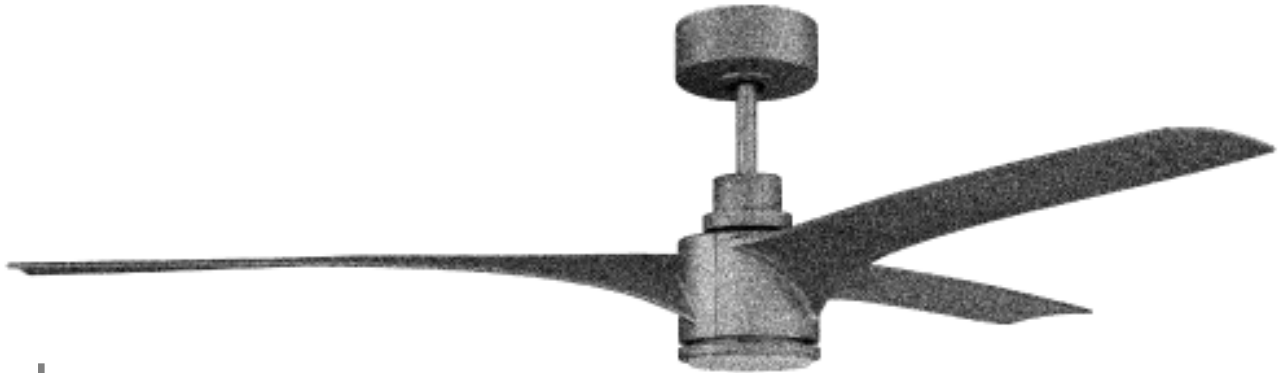
1-800-486-4892

www.craftmade.com

CRAFTMADE™

CRAFTMADE™

LISEZ CES INSTRUCTIONS ET
CONSERVEZ-LES POUR USAGE FUTUR



Phoebe

Guide d'installation

Pour le modèle :
PHB60

AVERTISSEMENT :
**le moteur CC ne
fonctionnera pas
tant que les pales ne
sont pas installées**

Table des Matières :

- Conseils de sécurité. p. 3
- Déballage du ventilateur. p. 4
- Contenu de l'emballage. p. 4
- Préparation de l'installation. p. 5
- Installation du support de suspension. p. 5
- Fixation des pales. p. 6
- Groupe ventilateur. p. 6 - 7
- Câblage. pg. 8
- Montage de la garniture. p. 8
- Montage du kit d'éclairage DEL. p. 9
- Processus d'apprentissage automatisé /
Activation du code. p. 10
- Utilisation de la commande à
distance. p. 11
- Contrôle Wi-Fi du ventilateur de
plafond intelligent. p.12
- Comment tester votre ventilateur. p. 13
- Dépannage. p. 14
- Garantie. p. 14
- Remplacement des pièces. p. 14



Intertek
3170356

APPROUVÉ POUR
MILIEU HUMIDE

poids net du ventilateur : 5,2 kg (11,46 lb)

Téléchargez l'application Bond Home; Activez votre ventilateur intelligent

- Avec votre appareil intelligent, accédez au magasin d'applications (Apple App Store ou Google Play), téléchargez l'application gratuite **Bond Home** et créez un compte.
- Assurez-vous que le ventilateur et le récepteur soient alimentés par le réseau de l'habitation en ALLUMANT et en ÉTEIGNANT le ventilateur et l'éclairage à l'aide de la télécommande.
- Lancez l'application **Bond Home** sur votre appareil intelligent et suivez les instructions étape par étape incluses dans l'application pour ajouter votre ventilateur.
- Profitez des capacités et des fonctionnalités du ventilateur que vous ne pouvez obtenir qu'en l'activant via l'application.

CONSEILS DE SÉCURITÉ.

AVERTISSEMENT : Afin de réduire le danger d'électrocution, coupez l'alimentation électrique du ventilateur au niveau du disjoncteur, de l'armoire ou du panneau électrique principal avant de commencer l'installation du ventilateur ou avant d'entreprendre des travaux de réparation ou avant d'installer des accessoires.

1. LISEZ ATTENTIVEMENT TOUTES LES INSTRUCTIONS ET LES INFORMATIONS DE SÉCURITÉ AVANT D'INSTALLER VOTRE VENTILATEUR ET CONSERVEZ CES INSTRUCTIONS.

ATTENTION : Pour éviter toute blessure corporelle, il peut s'avérer nécessaire de porter des gants lors de la manutention de pièces de ventilateur qui présentent des bords coupants.

- Assurez-vous que tous les branchements électriques sont conformes aux Codes et Ordonnances locales, au Code Électrique national, et à l'ANSI/NFPA 70-1999. Si vous n'êtes pas familier avec le câblage électrique ou si les câbles de la maison/bâtiment sont de couleurs différentes de celles auxquelles il est fait référence dans ces instructions, alors veuillez faire appel à un électricien qualifié.
- Assurez-vous que l'endroit que vous avez choisi pour votre ventilateur présente un espace suffisant pour permettre aux pales de tourner librement et une distance d'au moins 2,13 mètres (7 pieds) entre le sol et les extrémités des pales du ventilateur. Le ventilateur doit être monté de telle sorte qu'il y ait un espace d'au moins 76 centimètres (30 pouces) entre les extrémités des pales et les murs ou autres structures verticales.
- La boîte de sortie et la poutre de support du plafond doivent être solidement arrimées et capables de soutenir une charge d'au moins 16 kilogrammes (35 livres). La boîte de sortie doit être montée directement sur une structure porteuse du bâtiment. Veuillez à n'utiliser que des boîtes de sortie approuvées CUL (Canada) ou UL (USA) portant l'inscription « ADAPTÉ POUR SOUTENIR UN VENTILATEUR ».

AVERTISSEMENT : Afin de minimiser les risques d'incendie, d'électrocution ou de blessures corporelles, montez sur une boîte de sortie portant la mention « Convient pour soutenir un ventilateur de 15,9 kg (35 Lb) maximum » [« Acceptable for Fan Support of 15.9 kg (35 lb) or less »] et utilisez les vis de fixation fournies avec la boîte de sortie. La plupart des boîtes de sortie communément utilisées pour soutenir des luminaires ne sont pas adéquates pour soutenir un ventilateur et devront éventuellement être remplacées. Consultez un électricien qualifié en cas de doute.

AVERTISSEMENT : Pour réduire les risques d'incendie, d'électrocution ou de blessures corporelles, les connecteurs de fils fournis avec ce ventilateur sont conçus pour n'accepter qu'un fil résidentiel de calibre 12 et deux fils en provenance du ventilateur. Si le fil résidentiel est d'un calibre supérieur à 12 ou s'il y a plus d'un fil résidentiel à connecter aux fils correspondants du ventilateur, consulter un électricien pour savoir quelle taille de connecteurs de fils utiliser.

- Les schémas électriques ne sont fournis que pour référence.
- Lorsque l'installation est terminée, vérifiez que toutes les connexions sont correctement et solidement effectuées.
- Après avoir effectué des branchements électriques, les fils ainsi raccordés doivent être tournés vers le haut et insérés dans la boîte de sortie avec précaution. Les fils doivent être séparés avec le fil de terre et le fil de raccordement à la terre de l'unité positionnés sur les côtés opposés de la boîte de sortie.

AVERTISSEMENT : Afin de réduire le risque de blessures corporelles graves, NE PAS utiliser d'outils électriques pour assembler n'importe quelle pièce du ventilateur, y compris les pales.

AVERTISSEMENT : Afin de réduire le danger d'électrocution ou d'incendie, ne pas utiliser ce ventilateur avec un variateur de vitesse à circuit intégré ou régler la vitesse à l'aide d'un interrupteur à variateur intégral. [Le fait d'utiliser un interrupteur à variateur intégral pour contrôler la vitesse du ventilateur occasionnera un vrombissement sourd en provenance du ventilateur.]

- Ne pas actionner le commutateur d'inversion avant que le ventilateur ne soit parvenu à un arrêt complet. **[Remarque** : Si vous utilisez une commande à distance équipée de la fonction inversion, n'inverser le sens de rotation des pales qu'en vitesse LENTE.]

AVERTISSEMENT : En vue de réduire le risque de blessures corporelles, ne pas introduire d'objets dans la trajectoire des pales.

AVERTISSEMENT : Pour éviter toute blessure corporelle ou dommage au ventilateur et autres éléments, faites preuve de prudence lorsque vous travaillez autour du ventilateur ou lorsque vous le nettoyez.

- Ne pas utiliser d'eau ou de détergents pour nettoyer le ventilateur ou les pales du ventilateur. Un chiffon sec ou légèrement humide se prête bien à la plupart des tâches de nettoyage.

AVERTISSEMENT : Afin de réduire le risque de blessures corporelles, n'utiliser que les pièces livrées avec ce ventilateur. **L'utilisation de toutes pièces AUTRES que celles fournies avec ce ventilateur annulera la garantie.**

AVERTISSEMENT : Ce ventilateur DOIT être installé à l'aide du câble de sécurité fourni avec le ventilateur. Ne pas utiliser le câble de sécurité fourni peut entraîner des blessures corporelles graves, des dommages au ventilateur ou d'autres dommages matériels.

ATTENTION : Le couvercle métallique en utilisation sans kit d'éclairage sera CHAUD si la lumière est restée allumée. Pour réduire le risque de blessures corporelles, le kit d'éclairage doit être éteint. N'utilisez PAS les boutons d'éclairage de la télécommande si vous installez un couvercle métallique.

ATTENTION : NE PAS altérer ou tenter de réparer le composant DEL du kit d'éclairage. La source lumineuse est conçue pour cette application spécifique et ne doit pas être entretenue par du personnel non qualifié. S'il est nécessaire de procéder à une opération d'entretien, veuillez communiquer avec l'équipe du service à la clientèle.

- L'intensité du luminaire peut être réduite à 10 % avec certains gradateurs.

Toutes les modifications qui n'ont pas fait l'objet d'une autorisation expresse de la partie responsable de la conformité peuvent annuler la faculté de l'utilisateur d'utiliser l'appareil. [L'équipement fait référence à la télécommande et/ou la commande murale et/ou le kit d'éclairage DEL.]

REMARQUE : Après avoir subi les tests réglementaires, le présent équipement a satisfait aux exigences requises pour les dispositifs numériques de Classe B, conformément aux Règles de la FCC Partie 15. Ces exigences sont destinées à offrir une protection raisonnable contre les interférences néfastes dans le cadre des installations résidentielles. Le présent équipement génère, utilise et peut émettre des fréquences radioélectriques et, s'il n'est pas installé et utilisé conformément aux instructions, peut causer des interférences néfastes aux communications radio. Toutefois, il n'existe aucune certitude que des interférences se produiront dans une installation spécifique. S'il s'avère que le présent équipement produit effectivement des interférences néfastes à la réception radio ou télévision, qui peut être déterminée en mettant en marche puis en arrêtant l'équipement, il est recommandé à l'utilisateur d'essayer de corriger le problème d'interférence en suivant une ou plusieurs des démarches suivantes :

- * réorienter ou déplacer l'antenne de réception.
- * augmenter la distance qui sépare l'équipement du récepteur.
- * brancher l'équipement sur une source électrique raccordée à un circuit différent de celui sur lequel le récepteur est branché.

Consultez et cherchez l'assistance d'un revendeur ou d'un technicien radio/TV expérimenté.

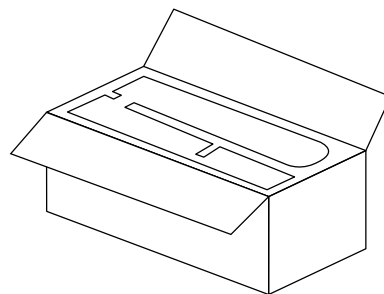
Le kit d'éclairage LED est conforme à la Section 15 de la Réglementation de la FCC. L'utilisation en est soumise aux deux conditions suivantes : (1) ce kit d'éclairage LED ne doit pas causer d'interférences nuisibles, (2) ce kit d'éclairage LED doit accepter toutes les interférences reçues, y compris les interférences qui peuvent causer un fonctionnement non souhaité.

Distribué par : Craftmade, 650 S. Royal Lane, Coppell, TX, 75019; 1-800-486-4892

REMARQUE : Les précautions de sécurité et les instructions importantes figurant dans le manuel ne sauraient prévoir toutes les conditions et situations possibles. Il est entendu que le bon sens et la prudence sont de rigueur pour l'installation et l'utilisation de ce ventilateur.

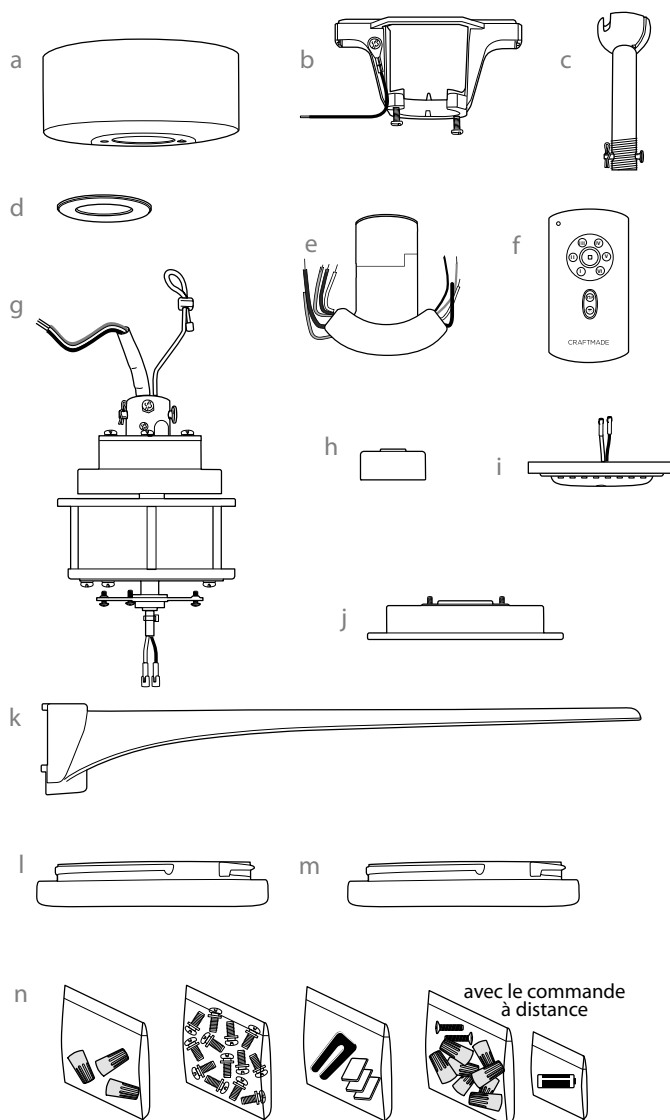
1. Déballage du ventilateur.

Ouvrez l'emballage avec précaution. Retirez toutes les pièces des inserts en polystyrène. Retirez le carter moteur et placez-le sur une pièce de tapis ou de polystyrène afin de ne pas endommager la finition. Ne jetez pas le carton ou les pièces de polystyrène pour le cas où le ventilateur devrait être renvoyé pour réparation. Vérifiez que toutes les pièces figurant sur l'inventaire sont présentes.



2. Contenu de l'emballage.

- a.** garniture. 1 pièce
- b.** support de suspension. 1 pièce
- c.** tige et rotule de suspension avec clavette et goupille. 1 pièce
- d.** couvercle de garniture. 1 pièce
- e.** récepteur de commande à distance. 1 pièce
- f.** commande à distance. 1 pièce
- g.** carter moteur. 1 pièce
- h.** couvre étrier. 1 pièce
- i.** kit d'éclairage DEL. 1 pièce
- j.** plaque de l'adaptateur. 1 pièce
- k.** pale. 3 pièces
- l.** abat-jour. 1 pièce
- m.** couvercle métallique. 1 pièce
- n.** paquets de quincaillerie



! RAPPEL IMPORTANT : Il est indispensable d'utiliser les pièces fournies avec ce ventilateur pour une installation correcte et sûre. **!**

3. Préparation de l'installation.

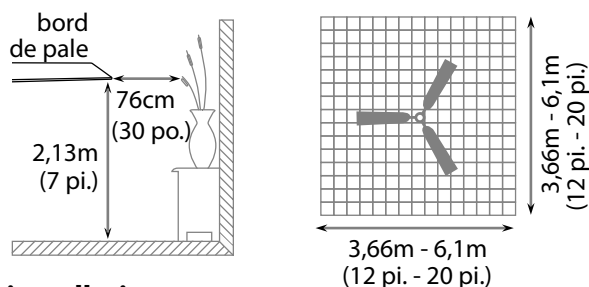
Pour éviter toute blessure corporelle et tous dommages ou dégâts, assurez-vous que l'emplacement où le ventilateur sera suspendu permette un dégagement de 2,13 m (7 pieds) entre les pales et le sol et de 76 cm (30 po.) entre les pales et tout mur ou obstacle quelconque.

Ce ventilateur se prête à l'installation dans des pièces d'une surface pouvant aller jusqu'à 37,2 m² (400 pi.²).

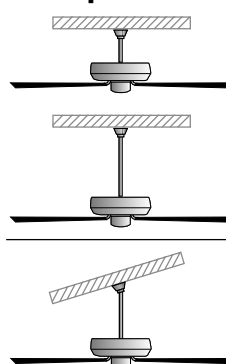
Ce ventilateur peut être monté avec une **tige de suspension** sur un plafond classique (non incliné) ou voûté. Il est possible d'acheter une tige de suspension plus longue (diamètre de 1,27cm - 0,5 po) pour rallonger la distance par rapport au plafond. D'autres configurations d'installation, comme le **montage encastré**, ne sont pas possibles pour ce ventilateur.

Les outils suivants seront nécessaires pour l'installation :

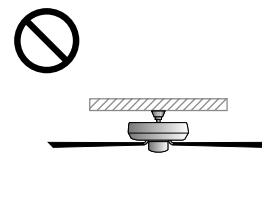
Tournevis cruciforme, tournevis plat, pince multiprise ou clé à molette, une échelle ou marchepied, une pince coupante, du ruban isolant homologué.



installation de la tige de suspension



installation encastrée



L'angle de la voûte du plafond ne doit pas dépasser 20°.

4. Installation du support de suspension.

Coupez l'alimentation électrique du luminaire en place au niveau des coupe-circuits du panneau électrique et assurez-vous que l'interrupteur qui en contrôle le fonctionnement est bien en position ARRÊT.

AVERTISSEMENT : Le fait de ne pas débrancher l'alimentation électrique avant l'installation peut causer des blessures graves.

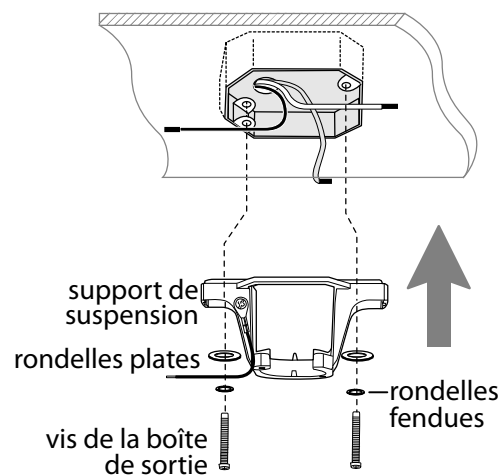
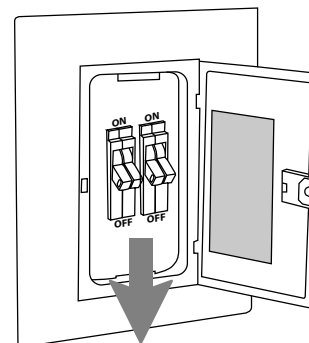
Déposez l'appareil existant.

AVERTISSEMENT : Dans le cas de l'utilisation d'une boîte de sortie existante, veillez à s'assurer que la boîte de sortie est solidement fixée à la structure de la construction et qu'elle peut supporter la totalité du poids du ventilateur. Vérifiez que la mention "Adapté pour soutenir un ventilateur" ("Suitable for Fan Support") est clairement indiquée sur la boîte de sortie. Si tel n'est pas le cas, elle doit être remplacée par une boîte de sortie approuvée. Tout défaut à cette règle peut résulter en des blessures graves.

ATTENTION : Assurez-vous que la boîte de sortie est correctement reliée à la terre et qu'il existe bien un fil de terre (**VERT** ou dénudé).

Fixez le support de suspension sur la boîte de sortie à l'aide des vis, rondelles fendues et rondelles plates originales fournies avec une nouvelle boîte de sortie ou la boîte de sortie originale.* En cas d'installation dans un endroit avec un plafond voûté, il y a lieu de veiller à toujours diriger l'ouverture du support de suspension vers le point haut du plafond. Disposez le câblage derrière le support de suspension de telle sorte qu'il soit à l'écart de l'ouverture du support.

***Remarque** : Il est très important d'utiliser les pièces de montage prévues à cet effet lorsque vous installez le support de suspension du fait que celles-ci seront appelées à supporter la charge du ventilateur.



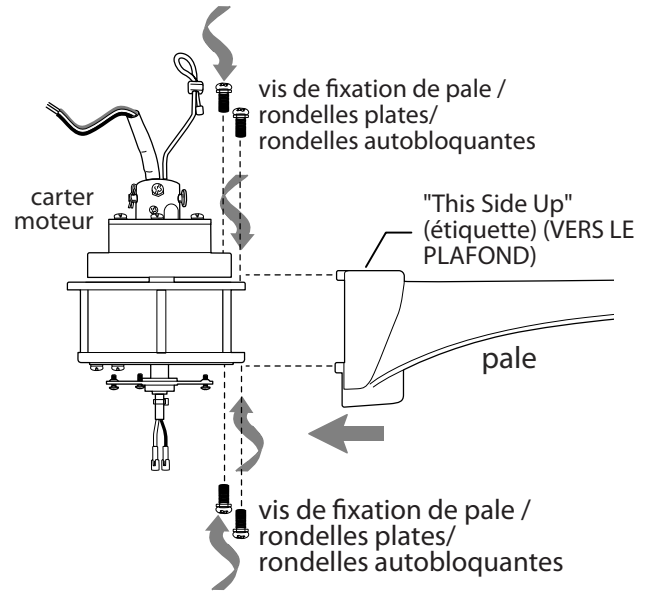
5. Fixation des pales.

AVERTISSEMENT : Afin de réduire le risque de blessures corporelles graves, NE PAS utiliser d'outils électriques pour assembler les pales. En cas de serrage excessif des vis de fixation des pales, les pales peuvent se fissurer et casser.

Trouvez 12 vis de fixation de pales / rondelles plates / rondelles autobloquantes dans le paquet de quincaillerie.

Tournez la pale de façon à ce que l'extrémité portant l'inscription THIS SIDE UP (Vers le plafond) soit tournée vers le plafond. Placez une pale sur le côté du carter moteur *comme indiqué*, en alignant les trous des extrémités supérieure et inférieure de pale avec les trous situés en haut et en bas du boîtier moteur. Insérez d'abord avec les doigts une vis de fixation de pale / une rondelle plate / une rondelle autobloquante dans chaque trou situé sur le côté supérieur de la pale, puis serrez partiellement les vis à l'aide d'un tournevis cruciforme. Reprenez la procédure pour les pales restantes. Retournez avec précaution le carter moteur. Insérez d'abord avec les doigts une vis de fixation de pale / une rondelle plate / une rondelle autobloquante dans chaque trou de vis moteur, puis serrez les vis avec un tournevis. **Serrez fermement toutes les 12 vis après que les trois pales aient été montées.**

REMARQUE : Resserrez les vis de fixation des pales deux fois par an.



6. Groupe ventilateur.

Retirez la rotule de suspension de la tige de suspension fournie en desserrant la vis de fixation située sur la rotule de suspension. Retirez la goupille et la clavette. Glissez la rotule de suspension vers le bas et retirez la goupille d'arrêt. Puis retirez la rotule de suspension de la tige de suspension. [Voir **schéma 1**.]

Desserrez les vis de fixation et l'écrou de l'étrier situés sur la partie supérieure du carter moteur. [Voir **schéma 2**.]

Conseil : En préparation du passage des câbles électriques par l'intérieur de la tige de suspension, enroulez l'extrémité des fils électriques d'un petit bout d'isolant électrique - cela permettra de rassembler les fils pour le passage dans la tige de suspension. [Voir **schéma 2**.]

Déterminez la longueur de tige de suspension que vous souhaitez utiliser. Passez le câble de sécurité et les fils électriques dans l'extrémité fileté de la tige de suspension et tirez l'excédent de fil par l'extrémité supérieure de la tige de suspension. [Voir **schéma 2**.]

Glissez la tige de suspension dans l'étrier du carter moteur jusqu'à ce que les trous pratiqués dans la tige de suspension réservés pour la clavette et la goupille soient alignés sur les trous de l'étrier -- veillez à ce que les fils ne soient pas torsadés. Réinsérez la goupille et le clip précédemment retirés. Serrez les vis de fixation et l'écrou de l'étrier fermement. [Voir **schéma 2**.]

["Groupe ventilateur" suite à la page suivante.]

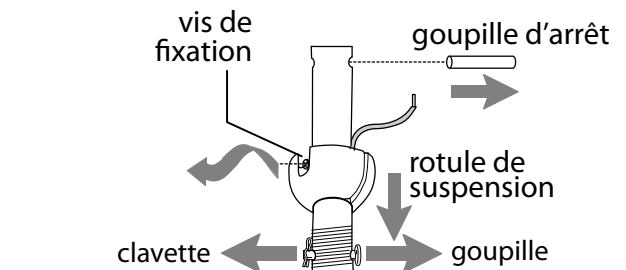


Schéma 1

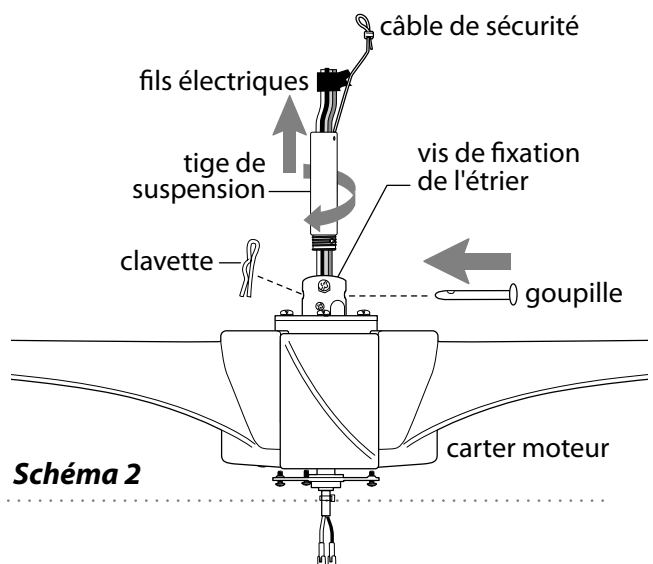


Schéma 2

6. Groupe ventilateur. (Suite)

Glissez le couvre étrier, le couvercle de la garniture et la garniture par dessus la tige de suspension. [Voir schéma 3.] (**Remarque** : Le côté lisse du couvercle de la garniture doit être tourné vers le carter moteur.)

Passez le câble de sécurité et les fils par l'ouverture de la rotule de suspension ; puis glissez la rotule de suspension dans la tige de suspension -- il est à noter que l'extrémité supérieure de la tige de suspension est celle qui est pourvue du trou destiné à recevoir la vis de fixation ; introduire la vis de fixation dans ce trou. Insérez la goupille d'arrêt dans l'extrémité supérieure de la tige de suspension et glissez la rotule de suspension vers le haut. Assurez-vous que la goupille d'arrêt est alignée avec les fentes situées sur l'intérieur de la rotule de suspension. Serrez fermement la vis de fixation. [Voir schéma 4.]

AVERTISSEMENT : Le défaut de serrer correctement la vis de fixation (située sur la rotule de suspension) peut entraîner la désolidarisation, voire la chute du ventilateur.

Une fois le support de suspension solidement fixé sur la boîte de sortie et prêt à soutenir le ventilateur, le ventilateur peut être suspendu. Saisir le ventilateur fermement avec deux mains. Glissez la tige de suspension par l'ouverture du support de suspension et laissez la rotule de suspension venir se loger sur le support de suspension. Tournez la fente dans la rotule de suspension jusqu'à ce qu'elle soit alignée avec l'ergot se trouvant dans le support de suspension. [Voir schéma 5.]

AVERTISSEMENT : Le défaut d'aligner la fente de la rotule de suspension avec l'ergot du support de suspension peut résulter en de sérieuses blessures voire mortelles.

Conseil : Demandez l'assistance d'une autre personne pour tenir le marchepied et pour vous aider à lever le ventilateur une fois que vous vous trouvez sur l'échelle.

Trouvez un point d'attache solide (une solive de plafond en bois est hautement recommandée) et fixez le câble de sécurité. Il sera nécessaire d'utiliser une vis à bois de gros gabarit, une rondelle et une rondelle autobloquante (non fournies) pour la boucle du câble de sécurité. Si nécessaire, réglez la boucle située à l'extrémité du câble de sécurité. La boucle située à l'extrémité du câble de sécurité doit tout juste affleurer les filets de la vis à bois. Testez le câble de sécurité en tirant sur l'extrémité flottante du câble à l'aide d'une pince. Si le câble de sécurité glisse, la boucle doit être resserrée. Le mou inutilisé du câble peut être laissé en zone de plafond. [Voir schéma 5.]

REMARQUE : Les précautions de sécurité et les instructions importantes figurant dans le manuel ne sauraient prévoir toutes les conditions et situations possibles. Il est entendu que le bon sens et la prudence sont de rigueur pour l'installation et l'utilisation de ce ventilateur.

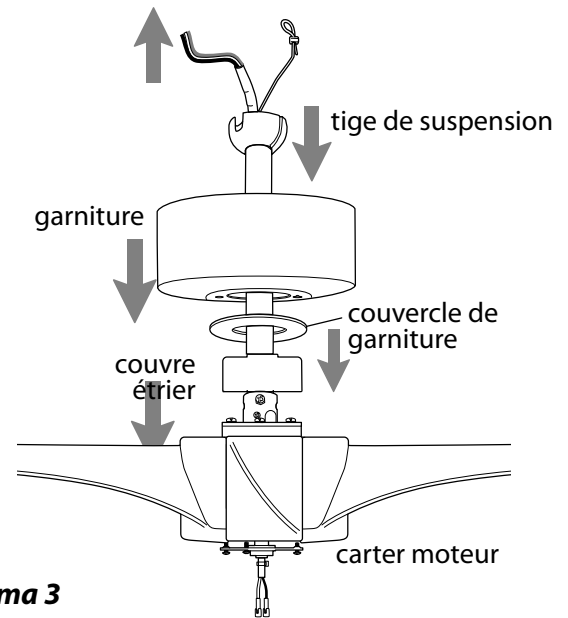


Schéma 3

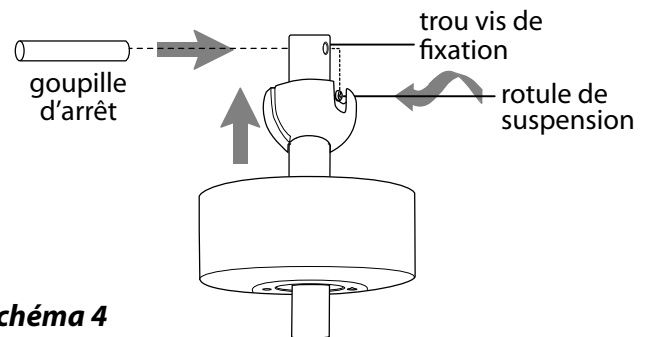


Schéma 4

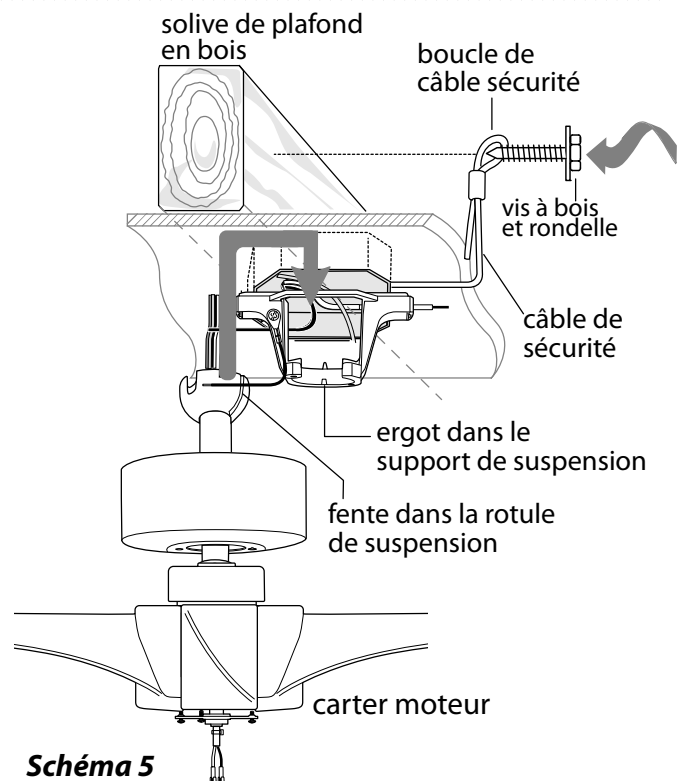


Schéma 5

7. Cablage.

AVERTISSEMENT : Désactivez les disjoncteurs contrôlant le luminaire au niveau du tableau à disjoncteurs et veillez à ce que l'interrupteur d'éclairage utilisé soit en position ARRÊT (OFF).

ATTENTION : Assurez-vous que la boîte de sortie de courant est bien mise à la terre et qu'un fil mis à la terre (**VERT** ou dénudé) est présent.

Assurez-vous que tous les branchements électriques sont conformes aux codes ou règlements locaux et au Code national de l'électricité. En cas de doute quant à la réalisation du câblage électrique ou si les fils de la maison/du bâtiment sont de couleurs différentes de ceux identifiés ci-dessous, veuillez consulter un électricien qualifié.

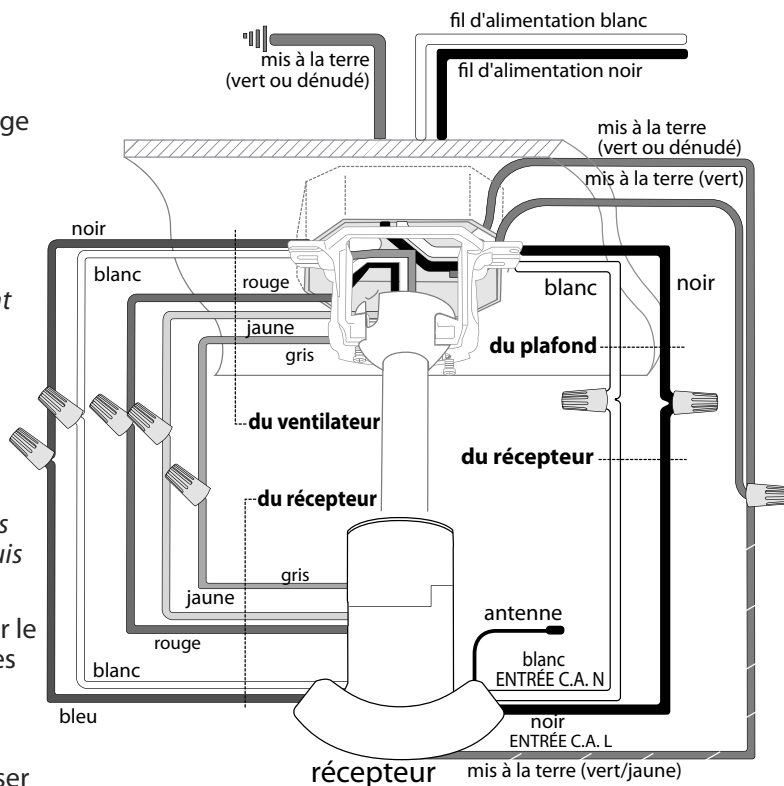
Remarque : Vous pouvez couper l'excès de longueur des fils de sortie du ventilateur aux longueurs souhaitées, puis les dénuder.

La tige de suspension une fois solidement montée sur le support de suspension, câblez le récepteur à l'aide des connecteurs de fils fournis comme indiqué dans diagramme sur la droite.

Conseil : au moment de tirer les fils veillez à ne pas obstruer l'ouverture par laquelle vous allez devoir glisser le récepteur dans le support de suspension.

* Enveloppez chaque capuchon de connexion séparément avec du ruban isolant à titre de mesure de sécurité supplémentaire.

Insérez délicatement le récepteur dans le support de suspension (côté plat dirigé vers le haut) et poussez avec précaution les fils enroulés de ruban isolant dans la boîte de sortie. Assurez-vous de laisser le fil d'antenne dépasser et pendre du support de suspension.

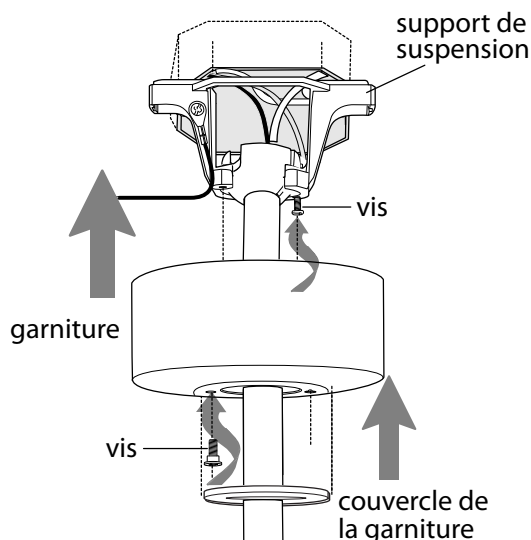


(câblage du ventilateur)

8. Montage de la garniture.

Repérez deux vis sur la face inférieure du support de montage et déposez la vis la plus proche de l'extrémité ouverte du support de montage. Desserrez partiellement l'autre vis. Levez la garniture pour l'amener jusqu'au support de montage. Glissez la partie arrondie de la fente dans la garniture par-dessus la vis précédemment desserrée située dans le support de montage et poussez vers le haut. Tournez la garniture pour la verrouiller. Réinsérez la vis précédemment retirée, puis serrez fermement les deux vis.

Glissez le couvercle de la garniture vers le haut jusqu'à la garniture, en veillant à aligner les ergots sur le couvercle de la garniture avec les encoches dans le trou situé dans la partie inférieure du centre de la garniture. Appuyez avec doigté mais fermement sur le couvercle de la garniture jusqu'à ce qu'il s'insère dans le fond de la garniture, puis tournez le couvercle de la garniture vers la droite (sens horaire) d'environ 1,3 cm (1/2 pouce).



9. Montage du kit d'éclairage DEL.

Retirez 1 vis de la plaque du support moteur située sur la face inférieure du carter moteur et desserrez partiellement les 2 autres vis. Alignez les trous oblongs de la plaque de l'adaptateur sur les vis desserrées de la plaque moteur, de façon à ce que les connecteurs molex en provenance du carter moteur passent par le trou se trouvant au milieu de la plaque de l'adaptateur. Tournez la plaque de l'adaptateur pour verrouiller l'ensemble. Réinsérez la vis que vous venez de retirer et serrez fermement les 3 vis avec un tournevis cruciforme.

Retirez 2 vis de la face inférieure de la plaque de l'adaptateur et desserrez partiellement l'autre vis.

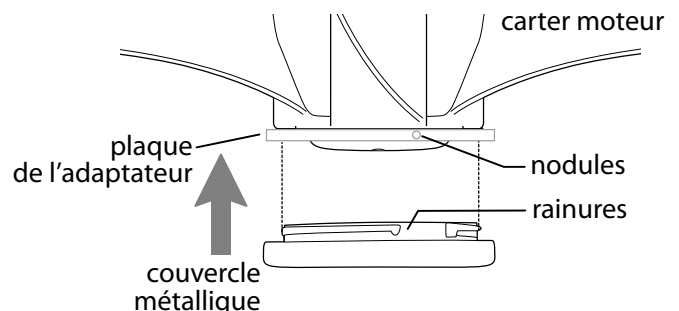
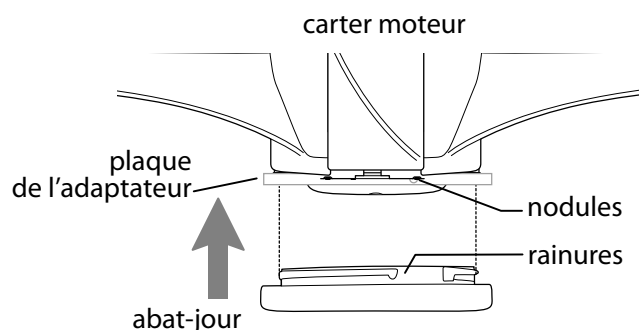
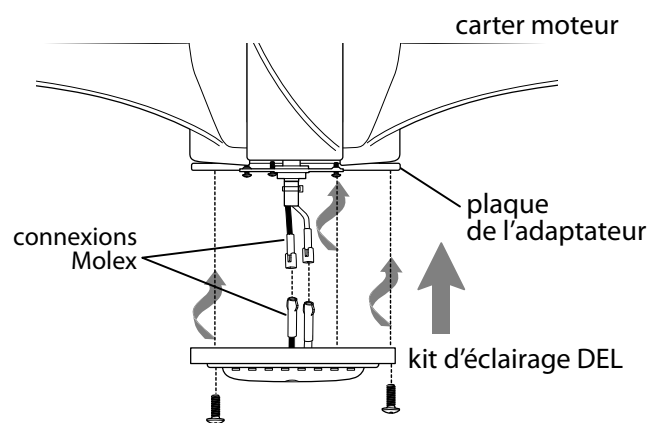
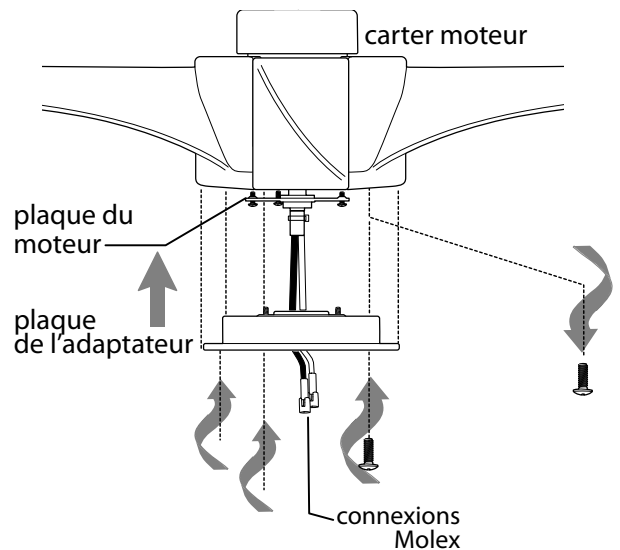
Branchez le fil **BLANC** du carter moteur au fil **BLANC** du kit d'éclairage DEL. Branchez le fil **BLEU** (ou **NOIR**) du carter moteur au fil **BLEU** du kit d'éclairage DEL. S'assurer que les connexions molex s'emboîtent et sont sécurisées.

Disposez soigneusement le câblage dans le périmètre de la plaque de l'adaptateur. Alignez l'une des ouvertures du bord extérieur du kit d'éclairage DEL avec la vis desserrée de la plaque de l'adaptateur. Ensuite, faites glisser le kit d'éclairage DEL vers la vis desserrée et poussez le kit d'éclairage DEL vers le haut, en alignant les 2 autres ouvertures du kit d'éclairage DEL avec les trous de la plaque de l'adaptateur. Réinsérez les 2 vis précédemment retirées, puis serrez fermement toutes les 3 vis.

Si vous souhaitez UTILISER le kit d'éclairage, alignez la cannelure de l'abat-jour avec les pattes situées sur le côté intérieur de la plaque de l'adaptateur et poussez l'abat-jour vers le haut avec précaution. Tournez l'abat-jour vers la DROITE (sens horaire) jusqu'à ce que l'abat-jour soit verrouillé. *Tirez l'abat-jour vers le bas en exerçant une TRACTION TRÈS DÉLICATE pour s'assurer que l'abat-jour est bien attaché.*

Si vous ne souhaitez PAS utiliser le kit d'éclairage, alignez les rainures du couvercle métallique avec les pattes situées à l'intérieur de la plaque de l'adaptateur. Poussez le couvercle métallique vers le haut, puis tournez le couvercle métallique vers la DROITE (sens horaire) jusqu'à ce qu'il arrive en butée.

AVERTISSEMENT : Le couvercle métallique sera CHAUD si l'éclairage est resté allumé.



10. Processus d'apprentissage automatisé / Activation du code.

ATTENTION : La télécommande peut être programmée de telle sorte qu'elle contrôle plusieurs récepteurs ou ventilateurs. Si vous ne souhaitez pas programmer d'autres récepteurs ou ventilateurs programmables, mettez l'interrupteur mural de ceux-ci en position arrêt.

Retirez le couvercle du compartiment batterie sur l'arrière de la télécommande. Installez une pile 12 Volt (incluse).

AVERTISSEMENT : La pile doit être insérée en respectant la polarité.

Rebranchez l'électricité. Dans les 60 secondes après avoir rétabli l'alimentation, appuyez et maintenez enfoncé le bouton **SET** pendant 5 secondes ou jusqu'à ce que la lumière clignote deux fois. Puis remettez le couvercle de la pile en place.

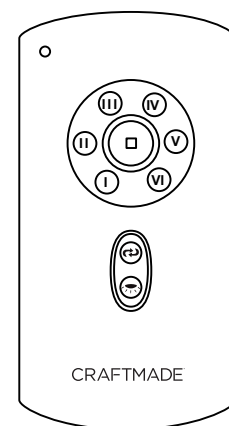
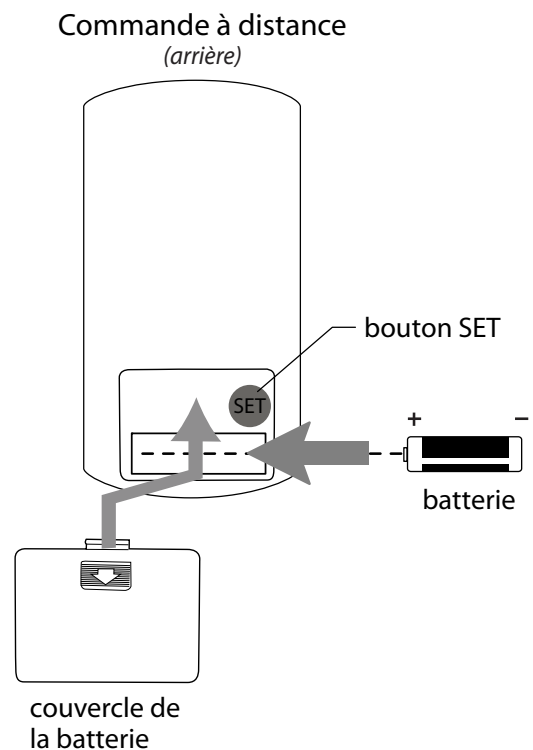
REMARQUE : Retirez toute pile dont la charge est faible ou nulle et mettez-la au rebut de manière appropriée.

IMPORTANT : Entreposez la télécommande à l'abri de l'humidité et de sources de chaleur intense. Pour éviter d'endommager la télécommande, retirez la batterie si la télécommande n'est pas utilisée pendant de longues périodes.

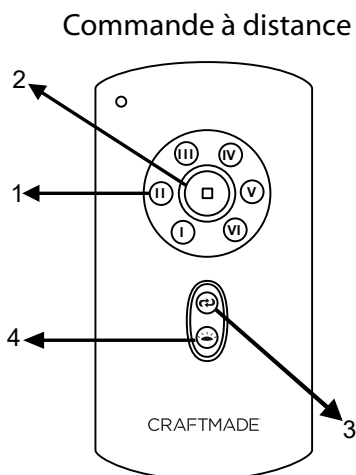
ATTENTION : "NE JETEZ PAS LES PILES AU FEU, CAR ELLES RISQUENT D'EXPLOSER OU DE FUIR." - Lors de la mise au rebut des piles alcalines domestiques, il est recommandé de vérifier auprès des coordonnateurs des autorités locales et nationales chargés du recyclage des déchets domestiques dangereux pour les détails du programme dans votre région. Vous pouvez également trouver un centre de recyclage en composant le 1-800-8-BATTERY ou le 1-877-2-RECYCLE ou en consultant www.epa.gov/epawaste/index.htm ou www.earth911.org pour plus d'informations.

AVERTISSEMENT : Risque d'étouffement - Petites pièces. Ne pas laisser les batteries à la portée des enfants.

AVERTISSEMENT : La pile N'EST PAS rechargeable. Une pile non rechargeable ne doit pas être rechargée.



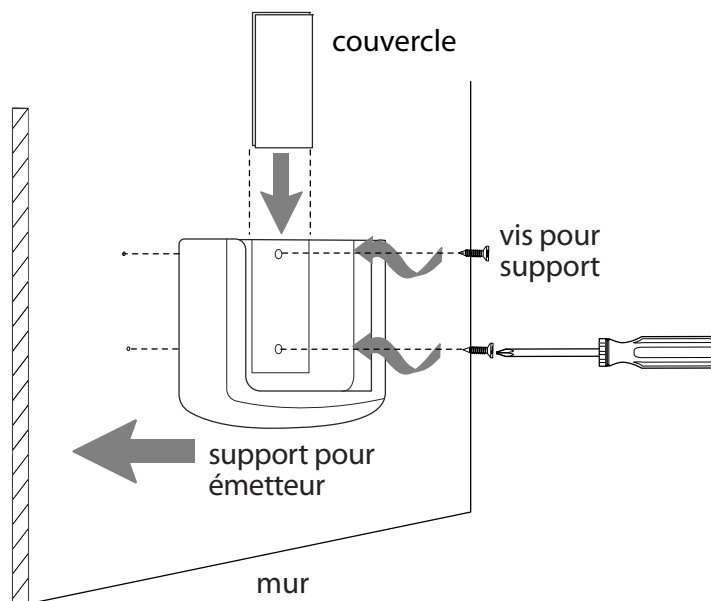
11. Utilisation de la commande à distance



- Boutons de commande **VITESSE** du ventilateur -- 1 : Utilisez pour contrôler la vitesse du ventilateur de 1 à 6
Bouton de **ARRÊT** ("OFF") du ventilateur -- 2 : Utilisez pour arrêter le ventilateur
Bouton fonction **INVERSION** du ventilateur -- 3 : Utilisé pour contrôler le sens de rotation du ventilateur
Bouton **ÉCLAIRAGE** -- 4 : Utilisé pour contrôler l'éclairage

IMPORTANT : Le processus d'apprentissage automatisé prend approximativement 5 minutes. Veuillez laisser le ventilateur en position "MARCHE" pour la durée des 5 minutes de programmation et **N'utilisez PAS la commande à distance et ne coupez pas l'alimentation** pendant ce temps. Le ventilateur effectuera un cycle en passant par **TOUTES LES SIX (6) vitesses en marche avant puis en sens inverse**, et s'arrêtera automatiquement une fois le processus d'apprentissage terminé.

Si vous désirez utiliser le support à télécommande de l'ensemble de contrôle à distance, fixez les vis de l'ensemble à travers le support, à l'endroit où vous désirez l'installer. L'émetteur de la télécommande de l'ensemble de contrôle à distance range dans le support.



12. Contrôle Wi-Fi du ventilateur de plafond intelligent (Facultatif).

Sans activation Wi-Fi, vous ne pourrez pas profiter des capacités et fonctionnalités étendues de votre ventilateur de plafond : Réglage de la vitesse de la brise, création de plages horaires de fonctionnement et activation vocale.

Pour profiter de tout le potentiel de votre nouvel appareil, procédez à la configuration Intelligente de celui-ci en observant les étapes suivantes.


1. Téléchargez l'application **Bond Home**, disponible sur Google Play Store et Apple App Store, ou utilisez le code QR pour télécharger l'application.
2. Lancez l'application **Bond**.
3. Si vous possédez déjà un compte **Bond**, il vous suffit de vous connecter et de passer à l'étape 4. Si vous n'avez pas de compte **Bond**, cliquez sur « **Create Account** » (Créer un compte) et saisissez votre nom, votre adresse e-mail et créez mot de passe.
4. Sélectionnez « + » pour ajouter un appareil.
5. Sélectionnez « **Smart By Bond** » (SBB).
6. Sélectionnez ce ventilateur de plafond intelligent.
7. Une fois l'application **Bond** connectée au ventilateur, sélectionnez « **CONTINUE** » (Continuer) pour poursuivre.
8. Testez les fonctions du ventilateur :
 - Vous avez l'option de désactiver la fonction éclairage si votre ventilateur n'est pas pourvu d'un éclairage.
9. Sélectionnez « **YES, IT WORKS** » (Oui, ça fonctionne).
10. Informations spécifiques sur votre ventilateur :
 - Sélectionnez « **Location** » (Emplacement) et choisissez l'une des options prédéfinies ou ajoutez la vôtre en sélectionnant « **OTHER** » (Autre). Lorsque vous avez terminé, sélectionnez « **SAVE** » (Enregistrer).
 - Sélectionnez le nom de l'appareil et saisissez le nom de votre appareil. Lorsque vous avez terminé, sélectionnez « **OK** » pour enregistrer. **REMARQUE** : ce nom sera utilisé pour les intégrations, il est donc préférable d'utiliser un nom simple et facile à retenir.
11. Sélectionnez « **Continue** » (Continuer).
12. Sélectionnez le réseau Wi-Fi auquel vous souhaitez connecter le ventilateur SBB.
13. Saisissez le mot de passe Wi-Fi et sélectionnez « **OK** ».
14. En cas de problème de connexion ou de saisie d'un mot de passe erroné, vous recevrez un message d'erreur. Veuillez sélectionner « **OK, I've Got It** » (D'accord, j'ai compris).
15. Une fois la connexion établie, veuillez sélectionner « **DONE** » (Terminé).
16. Si le ventilateur SBB n'est pas affiché dans l'application Bond, veuillez balayer vers le bas pour rafraîchir.




Pour obtenir de l'aide à tout moment pendant ce processus, accédez à la section « **Help** » (Aide) de l'application :

- Appuyez sur « **Settings** » (Paramètres)
- Appuyez sur « **Help Center** » (Centre d'aide)
- Choisissez « **Open a Ticket** » (Créer un ticket) ou « **Live Chat** » (Conversation en direct)

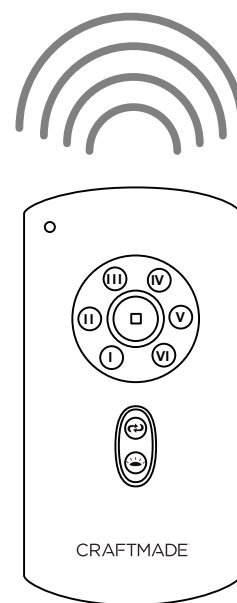
13. Comment tester votre ventilateur.

Il est recommandé de tester le ventilateur avant de mettre la dernière main à votre installation. Rétablir l'alimentation électrique à partir du disjoncteur et de l'interrupteur d'éclairage (le cas échéant). Testez les vitesses du ventilateur avec les différents boutons de commande de la vitesse du ventilateur (I - VI) sur la commande à distance portative. Testez la fonction MARCHÉ/ARRÊT de l'éclairage en appuyant sur le bouton  ; Si toutes les fonctions ventilateur de la commande à distance sont opérationnelles, la batterie a été installée correctement. Si la la commande à distance ne tent pas de contrôler toutes les fonctions du ventilateur, veuillez consulter la section "Dépannage" pour résoudre toute question avant de contacter le Service Clientèle.

La vitesse du ventilateur doit être sur "LOW" (vitesse la moins élevée), avant d'actionner le commutateur d'inversion de la direction des pales. Utilisez le commutateur  pour le recyclage/brassage d'air selon la saison. Un ventilateur de plafond vous permettra de régler votre thermostat sur une température plus élevée en été et moins élevée en hiver sans que cela n'affecte votre confort.

REMARQUE : En cas d'interférences électriques entre la commande à distance et d'autres appareils, activez un nouveau code au niveau de la commande à distance murale/portative en commençant par **couper l'alimentation électrique**. Retournez aux instructions pour le bouton SET à la Section 10 (en page 10).

IMPORTANT : Les commandes à distance doivent être synchronisées avec le ventilateur afin de fonctionner correctement.



Dépannage.

AVERTISSEMENT : Le fait de ne pas débrancher l'alimentation électrique avant toute recherche de panne ou de diagnostic de problèmes au niveau du câblage peut entraîner des blessures graves.

Problème : Le ventilateur ne fonctionne pas.

Solutions :

1. Vérifiez l'interrupteur mural du ventilateur.
2. Assurez-vous que le branchement du ventilateur est correct.
3. Il est possible que le processus d'apprentissage entre le ventilateur et la télécommande ait échoué et que le code n'ait pas été activé. Coupez l'alimentation et répétez la procédure selon les instructions pour la programmation du bouton SET à la Section 10 (page 10).
4. Vérifiez que le voyant rouge de la télécommande s'allume lorsqu'un bouton est enfoncé, indiquant que la batterie est en bon état.
5. Vérifiez que le branchement du récepteur est correct.
6. Vérifiez que les connexions molex du kit d'éclairage DEL sont connectées correctement.

Problème : Kit d'éclairage ne s'allume pas.

Solutions :

1. Vérifiez l'interrupteur mural du ventilateur.
2. Vérifiez si les fils se trouvant dans la garniture sont raccordés correctement.
3. Vérifiez que les connexions molex du kit d'éclairage DEL sont connectées correctement.
4. Il est possible que le processus d'apprentissage entre le ventilateur et la télécommande ait échoué et que le code n'ait pas été activé. Coupez l'alimentation et répétez la procédure selon les instructions pour la programmation du bouton SET à la Section 10 (page 10).

Problème : Le ventilateur et la lumière ne fonctionnent pas avec la télécommande.

Solutions :

1. Vérifiez la batterie de la télécommande.
2. Il est possible que le processus d'apprentissage entre le ventilateur et la télécommande ait échoué et que le code n'ait pas été activé. Coupez l'alimentation et répétez la procédure selon les instructions pour la programmation du bouton SET à la Section 10 (page 10).

Problème : Le ventilateur oscille.

Solutions :

1. Utilisez le kit d'équilibrage fourni dans un des paquets de pièces. *Si aucun kit d'équilibrage de pales n'est fourni, veuillez contacter le service d'Assistance Clientèle au 1 800 486-4892 et il vous en sera envoyé un.*
2. Vérifiez et assurez-vous que la (les) vis de fixation sur l'étrier du boîtier moteur est (sont) bien serrée(s).
3. Vérifiez et assurez-vous que la vis de fixation à la rotule de suspension est bien serrée.

Garantie.

GARANTIE LIMITÉE À VIE CRAFTMADE™ :

CRAFTMADE garantit ce ventilateur au ménage acheteur d'origine pour une utilisation en intérieur selon les dispositions et aux conditions suivantes :

GARANTIE DE 1 AN : CRAFTMADE remplacera ou procédera à la réparation de tout ventilateur au fonctionnement défectueux en raison d'un défaut de pièce ou de main d'œuvre. Contactez le Service Clientèle de Craftmade au **1 800 486-4892** pour convenir des dispositions à prendre pour renvoyer le ventilateur. Renvoyez le ventilateur, port payé, à Craftmade. Nous procéderons à la réparation ou vous enverrons un ventilateur de remplacement et prendrons en charge les frais d'envoi pour le retour.

GARANTIE QUINQUÉNALE : CRAFTMADE procédera à la réparation ou au remplacement, sans frais pour le consommateur initial, de tout moteur de ventilateur qui ne fonctionne pas de façon satisfaisante, lorsque cette défaillance résulte d'une utilisation normale.

RENOVOYEZ LE MOTEUR DU VENTILATEUR UNIQUEMENT en port payé à Craftmade. Nous procéderons à la réparation ou enverrons au consommateur un moteur de remplacement et Craftmade prendra en charge les frais d'envoi pour le retour.

GARANTIE LIMITÉE de 6 ANS à VIE : CRAFTMADE procédera à la réparation du ventilateur, sans frais de main d'œuvre uniquement pour le consommateur initial, si le moteur ne fonctionne pas de façon satisfaisante, et lorsque cette défaillance résulte d'une utilisation normale. Les pièces utilisées pour la réparation seront facturées au consommateur aux tarifs en vigueur au moment de la réparation.

Tous les frais encourus pour la dépose, la réinstallation et l'envoi des produits à réparer seront à la charge du consommateur.

Cette garantie devient caduque lorsque la défaillance est le résultat d'une mauvaise utilisation mécanique, physique, électrique ou provient de dégâts des eaux. Il est spécifiquement entendu que la détérioration des finitions ou d'autres parties en raison du temps ou de l'exposition prolongée à l'air marin n'est pas couverte par la présente garantie.

Craftmade ni le fabricant n'assumeront une quelconque responsabilité résultant d'une mauvaise installation ou utilisation de ce produit. En aucun cas la société ne saura-t-elle être tenue pour responsable quant à de quelconques dommages connexes par suite de la rupture explicite ou implicite de la présente ou de toute autre garantie. Ces restrictions concernant les dommages connexes ne s'appliquent pas dans les états où elles sont interdites.

Remplacement des pièces.

Pour toutes pièces et information, veuillez consulter "Contenu de l'emballage" en page 4.

Assistance Clientèle Craftmade :

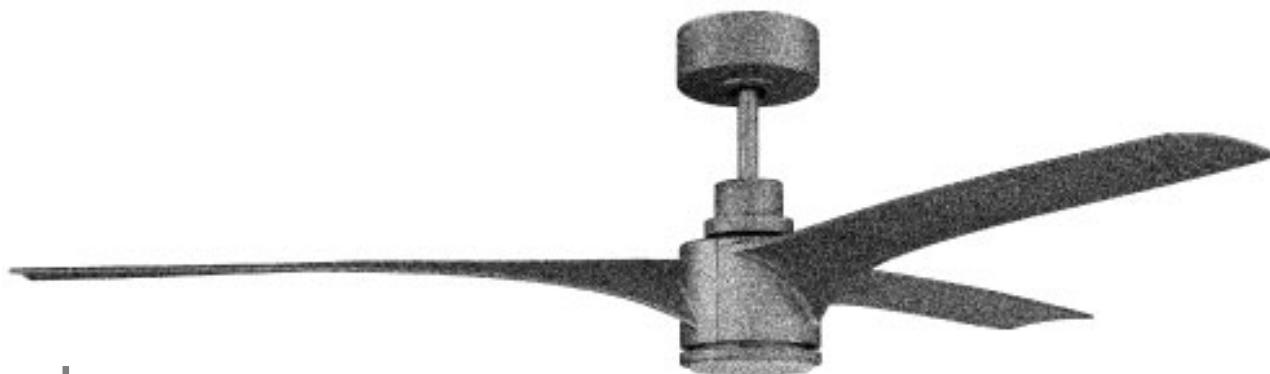
1 800 486 4892

www.craftmade.com

CRAFTMADE™

CRAFTMADE™

LEER ESTAS INSTRUCCIONES Y
GUARDARLAS PARA UTILIZACIÓN FUTURA



Phoebe

Guía de instalación

Para modelo:
PHB60

ADVERTENCIA:
**El motor DC no
funcionará hasta
que las aspas estén
instaladas**

Índice de materias:

- Sugerencias de seguridad. Pág. 3
- Desempaquetado del ventilador. Pág. 4
- Inventario de piezas. Pág. 4
- Preparación para la instalación. Pág. 5
- Instalación del soporte de montaje. Pág. 5
- Colocación de las aspas. Pág. 6
- Ensamblaje del ventilador. Págs. 6 - 7
- Instalación eléctrica. Pág. 8
- Colocación de la cubierta decorativa. Pág. 8
- Instalación del juego de luz. Pág. 9
- Proceso de aprendizaje automático./
El activar el código. Pág. 10
- Funcionamiento del control remoto. Pág. 11
- Control Wi-Fi para ventilador de techo
inteligente. Pág. 12
- Verificación del funcionamiento del
ventilador. Pág. 13
- Localización de fallas. Pág. 14
- Garantía. Pág. 14
- Piezas de repuesto. Pág. 14



APROBADO PARA USO EN
LUGARES HÚMEDOS

Intertek

peso neto del ventilador: 5,2 kg (11,46 lb)

Activar su nuevo ventilador inteligente; Descargar la aplicación Bond Home

- Con su dispositivo inteligente, navegar en la tienda de aplicaciones (Apple App store o Google Play), descargar la aplicación gratis **Bond Home** y crear una cuenta.
- Asegurarse de que el ventilador y el receptor estén recibiendo la corriente del suministro de fuerza eléctrica de la casa usando el control remoto para ENCENDER y APAGAR el ventilador y la luz.
- Abrir la aplicación **Bond Home** en su dispositivo inteligente y seguir las instrucciones de paso a paso incluidas en la aplicación que se aplican para agregar su ventilador.
- Disfrutar de las características y funcionalidades del ventilador que solo puede obtener activando el ventilador a través de la aplicación.

SUGERENCIAS DE SEGURIDAD.

ADVERTENCIA: Para evitar la posibilidad de una descarga eléctrica, desconectar la corriente en la caja de fusibles principal o el interruptor protector antes de iniciar la instalación del ventilador o antes de repararlo o instalar accesorios.

1. LEER TODAS LAS INSTRUCCIONES E INFORMACIÓN DE SEGURIDAD CUIDADOSAMENTE ANTES DE INSTALAR SU VENTILADOR Y GUARDAR ESTAS INSTRUCCIONES.

PRECAUCIÓN: Para reducir el riesgo de daño corporal, es posible que sea necesario usar guantes al manejar las piezas del ventilador que tengan bordes afilados.

- Asegurarse de que todas las conexiones eléctricas cumplan con los Códigos o las Ordenanzas Locales, el Código Nacional Eléctrico, y ANSI/NFPA 70-1999. Si usted no está familiarizado con el alambrado eléctrico o los cables de la casa/el edificio son de colores diferentes a los cuales se refieren en las instrucciones, favor de buscar un electricista calificado.
- Asegurarse de que haya localizado una ubicación para su ventilador que permite el espacio necesario para el ventilador y por lo menos 2,13 metros (7 pies) de espacio libre entre el piso y la caja protectora del ventilador. Debe instalar el ventilador para que los bordes de la caja protectora del ventilador queden a una distancia de por lo menos 76 centímetros (30 pulgadas) de las paredes y otras estructuras verticales.
- La caja de salida eléctrica debe estar bien sujeta a la viga de soporte del techo y deben ser capaces de sostener por lo menos 16 kilogramos (35 libras). La caja debe tener apoyo directo de la estructura del edificio. Sólo usar cajas de salida registradas con CETL o CUL en Canadá o ETL o UL en EEUU que indiquen que "sirven para ventilador" ("FOR FAN SUPPORT" en inglés).

ADVERTENCIA: Para reducir el riesgo de incendio, descarga eléctrica o daño corporal, instalar en la caja de salida marcada "Aceptable para sostener ventilador de 15,9 kg (35 lb) o menos" ["Acceptable for Fan Support of 15.9 kg (35 lb) or less"] y utilizar los tornillos proporcionados con la caja de salida. La mayoría de las cajas de salida que se usan normalmente para sostener los aparatos de alumbrado no siempre son apropiadas para sostener ventiladores y es posible que las tenga que reemplazar. En caso de duda, consultar con un electricista calificado.

ADVERTENCIA: Para reducir el riesgo de incendio, descarga eléctrica o daño corporal, los conectores para cable provistos con este ventilador son diseñados para aceptar sólo un cable de calibre 12 de la casa y dos cables principales del ventilador. Si el calibre del cable de la casa es superior al 12 o hay más de un cable de la casa para conectar a los cables principales del ventilador al cual corresponda cada uno, consultar con un electricista para informarse sobre el tamaño correcto de conectores para cable que se debe usar.

- Los diagramas eléctricos son únicamente para referencia.
- Después de haber terminado la instalación, asegurarse de que todas las conexiones estén totalmente seguras.
- Después de haber terminado todas las conexiones eléctricas, los conductores empalmados deben ser volteados para arriba y colocados cuidadosamente dentro de la caja de salida. Los alambres se deben de separar con el conductor a tierra a un lado y el conductor a tierra del equipo al lado opuesto.

ADVERTENCIA: Para reducir el riesgo de lesiones corporales graves, NO utilizar herramientas eléctricas para ensamblar las piezas del ventilador, incluso las aspas.

ADVERTENCIA: Para reducir el riesgo de incendio o un choque eléctrico, no usar el ventilador con ningún control de velocidad de estado sólido ni controlar la velocidad del ventilador con un interruptor con reductor de luz de gama completa. [El usar un interruptor con reductor de luz de gama completa para controlar la velocidad del ventilador causará un zumbido recio del ventilador.]

- No utilizar el interruptor de reversa hasta que el ventilador se haya parado completamente. **[Nota:** Si se usa un control remoto con capacidad de reversa, cambiar la dirección de las aspas sólo cuando el ventilador esté en velocidad BAJA.]

ADVERTENCIA: Para reducir el riesgo de daño corporal, no introducir objetos entre las aspas mientras estén rotando.

ADVERTENCIA: Para reducir el riesgo de daño corporal o algún daño al ventilador, tener cuidado al estar trabajando alrededor del ventilador o limpiándolo.

- No utilizar agua ni detergentes para limpiar el ventilador ni las aspas. Usar un trapo seco o ligeramente húmedo para su limpieza general.

ADVERTENCIA: Para reducir el riesgo de daño corporal, usar **sólo** las piezas provistas con este ventilador. **Al usar piezas DISTINTAS a las provistas con este ventilador se invalidará la garantía.**

ADVERTENCIA: Este ventilador DEBE instalarse con el cable de seguridad provisto. Si no se utiliza el cable de seguridad provisto, se pueden producir lesiones personales, daños al ventilador o a otras propiedades.

PRECAUCIÓN: La cubierta de metal que es para uso sin el juego de luz se CALENTARÁ si la luz se queda prendida. Para reducir el riesgo de daño corporal, el juego de luz debe estar APAGADO. Si piensa instalar la cubierta de metal, NO usar el botón de la luz en el control remoto.

PRECAUCIÓN: NO manipular ni intentar reparar el componente LED de la lámpara. La fuente de luz está diseñada para esta aplicación específica y el mantenimiento no debe estar a cargo de personal sin capacitación. Si necesita algún tipo de mantenimiento, llamar a nuestro departamento de Servicio al cliente.

- Se puede regular la luz hasta un 10% con el control de pared provisto.

Las modificaciones no aprobadas por la parte responsable de la conformidad podrían invalidar la autorización del usuario para manejar el equipo. [El equipo se refiere al control remoto y/o el control de pared y/o el juego de luz LED.]

NOTA: Se han hecho pruebas en este equipo y se ha comprobado que cumple con los límites para un aparato digital de clase B, de acuerdo con la Parte 15 de las Reglas de la FCC. Se concibieron estos límites para proveer protección razonable contra la interferencia adversa en una instalación residencial. Este equipo produce, usa y puede radiar energía de radiofrecuencia y, si no se instala y no se usa según las instrucciones, puede causar interferencia adversa en la radiocomunicación. Sin embargo, no hay ninguna garantía de que no habrá interferencia en una instalación en particular. Si este equipo sí causa interferencia adversa en la recepción de radio o televisión, que se puede determinar apagando y prendiendo el equipo, se le urge al usuario a intentar rectificar la interferencia tomando una o más de las medidas que siguen:

- * Orientar la antena de nuevo o localizarla en otro sitio.
- * Aumentar la separación entre el equipo y el receptor.
- * Conectar el equipo a un tomacorriente en un circuito distinto al cual está conectado el receptor.

Solicitar ayuda del distribuidor o un técnico de radio/televisión.

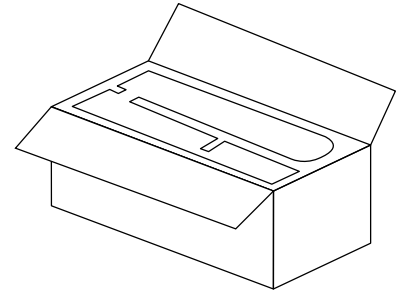
El juego de luz LED cumple con la sección 15 de las reglas de la FCC. Se sujeta el funcionamiento a las dos condiciones siguientes: (1) este juego de luz LED no puede causar una interferencia perjudicial, (2) este juego de luz LED tiene que aceptar cualquier interferencia recibida, inclusive interferencia que puede producir un funcionamiento indeseado.

Distribuido por: Craftmade, 650 South Royal Lane, Coppel, TX 75019; 1-800-486-4892

NOTA: No se debe concluir que las precauciones de seguridad importantes e instrucciones en este manual van a abarcar todas las condiciones y situaciones posibles que puedan ocurrir. Se debe entender que el sentido común y la precaución son factores necesarios en la instalación y la operación de este ventilador.

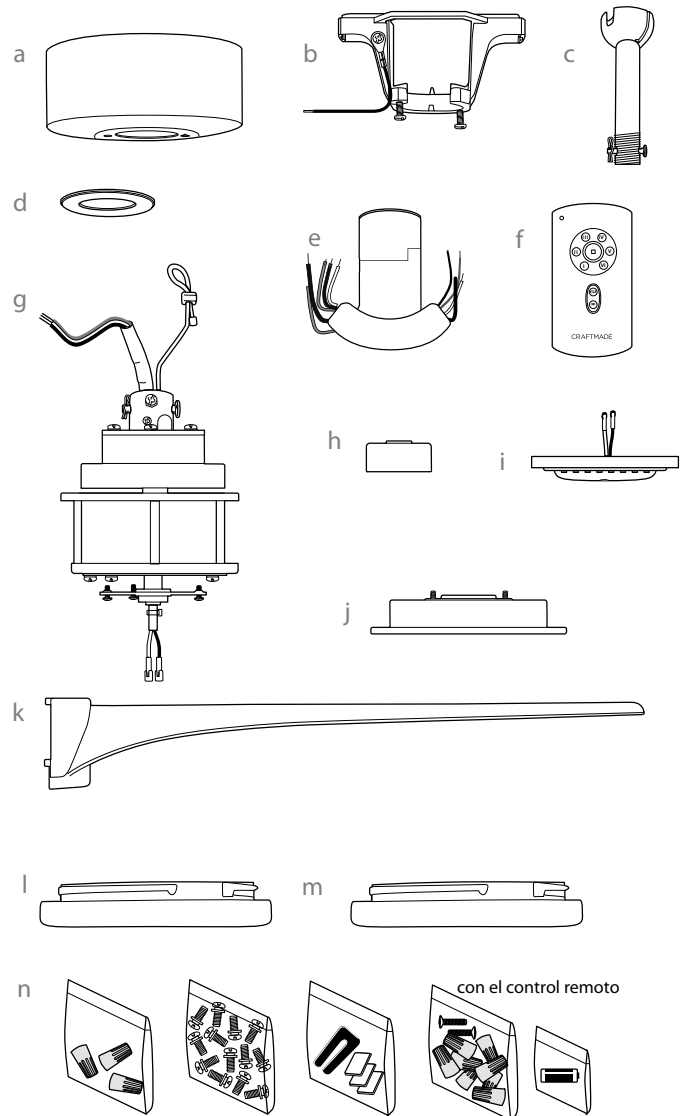
1. Desempaquetado del ventilador.

Abrir el empaque cuidadosamente. Sacar los artículos del embalaje. Sacar el motor y ponerlo en una alfombra o en el embalaje para evitar rayar el acabado. Guardar la caja de cartón o el empaquetamiento original en caso de que tenga que mandar el ventilador para alguna reparación. Comprobar las piezas del ventilador con el inventario de piezas y verificar que se incluyeron todas.



2. Inventario de piezas.

- a.** cubierta decorativa. 1 unidad
- b.** soporte de montaje. 1 unidad
- c.** tubo y bola que sirve para colgar con perno y clavija. 1 unidad
- d.** tapa de la cubierta decorativa. 1 unidad
- e.** receptor del control remoto. 1 unidad
- f.** transmisor del control remoto. 1 unidad
- g.** bastidor del motor. 1 unidad
- h.** cubierta del cuello. 1 unidad
- i.** juego de luz LED. 1 unidad
- j.** placa de conexión. 1 unidad
- k.** aspa. 3 unidades
- l.** pantalla. 1 unidad
- m.** cubierta de metal. 1 unidad
- n.** paquetes de artículos de ferretería



⚠ RECORDATORIO IMPORTANTE:
Se tienen que utilizar las piezas provistas con este ventilador para una instalación adecuada y su seguridad. **⚠**

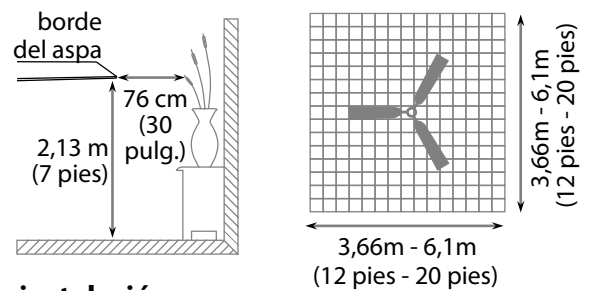
3. Preparación para la instalación.

Para prevenir daño corporal y otros daños, estar seguro de que el lugar en donde va a colgar el ventilador le permite un espacio libre de 2,13 m (7 pies) entre las puntas de las aspas y el piso y 76 cm (30 pulg.) entre las aspas y cualquier pared u otra obstrucción. Este ventilador es adecuado para habitaciones hasta 37,2 metros cuadrados (400 pies cuadrados).

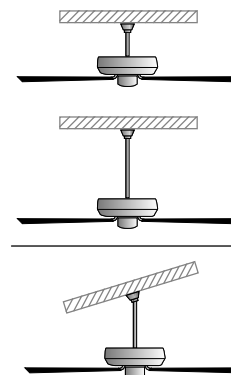
Se puede colgar este ventilador **con tubo** en un techo regular (sin inclinación) o abovedado. La longitud colgante se puede extender comprando un tubo más largo (con diámetro de 1,27 cm/0,5 pulg.). **NO** hay ningún otro tipo de instalación, como **al ras con el techo**, disponible para este ventilador.

Se necesitan las herramientas siguientes para la instalación:

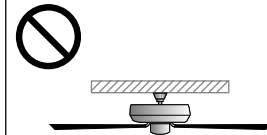
Destornillador de estrella Phillips, destornillador de paleta (plano), alicates ajustables o llave de tuercas, escalera de tijera, cortaalambres y cinta aisladora.



instalación con tubo



instalación al ras con el techo



El ángulo de inclinación de un techo abovedado no puede exceder los 20 grados.

4. Instalación del soporte de montaje.

Apagar los cortacircuitos en el panel de electricidad que suplen corriente a la caja de salida y asegurarse de que el interruptor de luz esté APAGADO.

ADVERTENCIA: El no desconectar el suministro de fuerza antes de la instalación puede tener por resultado lesiones graves.

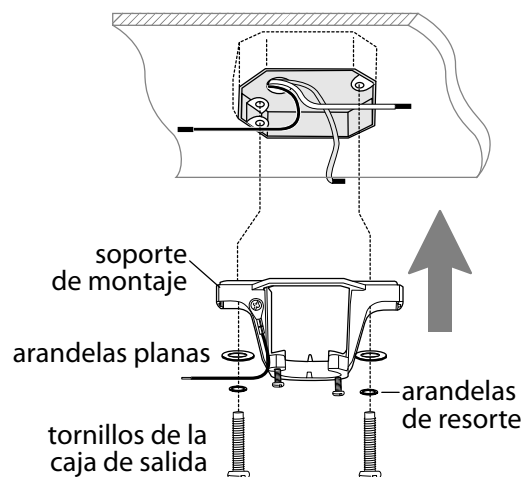
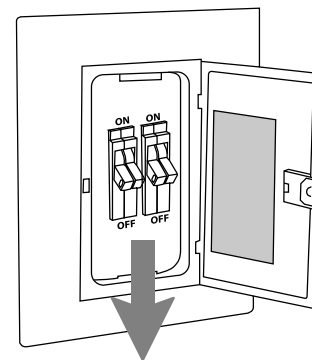
Quitar el aparato existente.

ADVERTENCIA: Si utiliza una caja de salida existente, asegurarse de que la caja de salida esté firmemente conectada a la estructura del edificio y que sea capaz de sostener el peso total del ventilador. Asegurarse de que la caja de salida indique claramente que "Sirve para ventilador" (FOR FAN SUPPORT); si no, se debe reemplazar con una caja de salida aprobada. El no hacer el cambio si es necesario puede resultar en lesiones graves.

PRECAUCIÓN: Asegurarse de que la caja de salida esté conectada a tierra correctamente y que haya un conductor a tierra (**VERDE** o pelado).

Instalar el soporte de montaje utilizando los tornillos originales, las arandelas de resorte y las arandelas planas de su nueva o existente caja de salida.* Si hace la instalación en un techo abovedado, colocar el soporte de montaje con la abertura dirigida hacia la parte alta del techo. Arreglar el alambrado eléctrico (los cables) en la parte de atrás del soporte y lejos de la abertura del soporte.

***Nota:** Es muy importante usar los artículos de ferretería correctos al instalar el soporte de montaje puesto que sirve para sostener el ventilador.



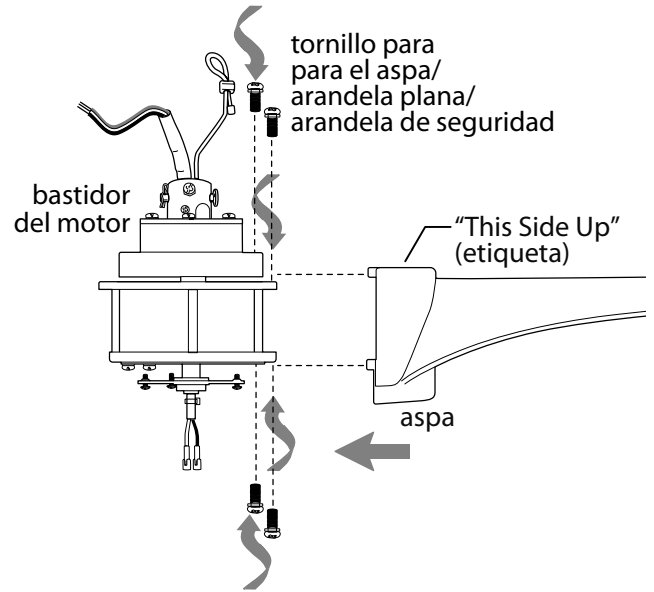
5. Colocación de las aspas.

ADVERTENCIA: Para reducir el riesgo de lesiones corporales graves, NO utilizar herramientas eléctricas para ensamblar las aspas. Si aprieta demasiado los tornillos para las aspas, las aspas podrían agrietarse y quebrarse.

Localizar 12 tornillos para fijar las aspas/arandelas planas/arandelas de seguridad en uno de los paquetes de artículos de ferretería.

Voltear un aspa para que el lado que indique THIS SIDE UP (ESTE LADO HACIA ARRIBA) esté orientado hacia el bastidor del motor. Introducir un aspa en un lado del bastidor del motor *así como se muestra*, alineando los agujeros de la parte superior e inferior del aspa con los agujeros en la parte superior e inferior del bastidor del motor. Introducir un tornillo para fijar las aspas/arandela plana/arandela de seguridad con los dedos primero y luego parcialmente apretar los tornillos con un destornillador de estrella Phillips. Repetir el mismo procedimiento con las demás aspas. Con cuidado, dar la vuelta al bastidor del motor. Introducir un tornillo para fijar las aspas/arandela plana/arandela de seguridad en cada agujero del motor con los dedos primero y apretar los tornillos con un destornillador. **Apretar bien todos los tornillos sólo después de haber sujetado las 3 aspas.**

NOTA: Apretar los tornillos para las aspas dos veces al año.



6. Ensamblaje del ventilador.

Quitar la bola que sirve para colgar del tubo provisto aflojando el tornillo de fijación de la bola que sirve para colgar. Quitar el perno y la clavija. Bajar la bola que sirve para colgar y sacar el perno de tope. Luego, quitar la bola que sirve para colgar deslizándola. [Referirse al **diagrama 1**.]

Aflojar los tornillos de fijación del cuello y la tuerca en la parte superior del bastidor del motor. [Referirse al **diagrama 2**.]

Sugerencia: Para preparar los cables para pasarlos por el tubo, poner un pedacito de cinta aisladora en la punta de los cables—esto mantendrá los cables juntos al pasarlos por el tubo. [Referirse al **diagrama 2**.]

Determinar el largo del tubo que desea usar. Pasar los cables del ventilador y el cable de seguridad a través del extremo del tubo que tenga rosca y con cuidado jalar el cableado en exceso por la parte de arriba del tubo. [Referirse al **diagrama 2**.]

Enroscar el tubo en el cuello del bastidor del motor hasta alinearse los agujeros para el perno y la clavija en el tubo con los del cuello—*asegurarse de que no se tuerzan los cables*. Volver a introducir el perno y la clavija que se quitaron anteriormente. Apretar los tornillos de fijación del cuello y la tuerca completamente. [Referirse al **diagrama 2**.]

[El "Ensamblaje del ventilador" continúa en la página siguiente.]

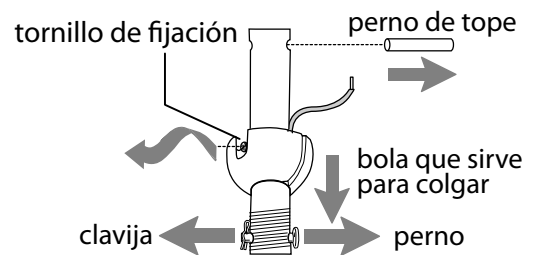


diagrama 1

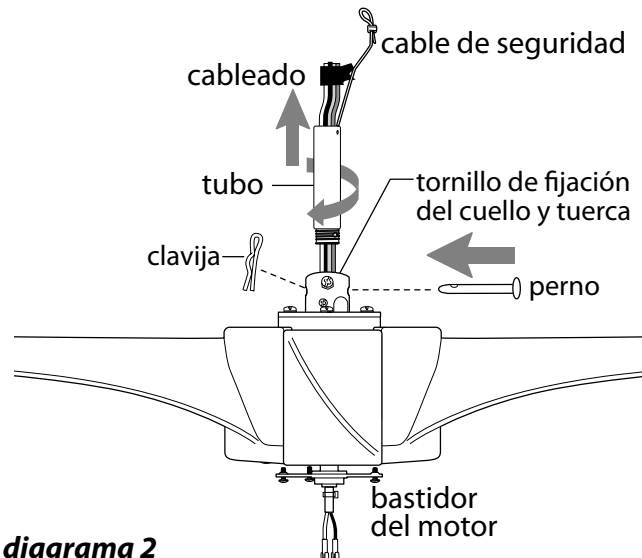


diagrama 2

6. Ensamblaje del ventilador. (cont.)

Deslizar la cubierta del cuello, la tapa de la cubierta decorativa y la cubierta decorativa por el tubo. [Referirse al **diagrama 3.**] (**Nota:** Se tiene que voltear la tapa de la cubierta decorativa para que el lado liso dé al bastidor del motor.)

Pasar los cables y el cable de seguridad por la bola que sirve para colgar; luego deslizar la bola que sirve para colgar sobre el tubo--la parte de arriba del tubo debe tener el agujero para el tornillo de fijación en ese extremo; usar ese agujero al colocar el tornillo de fijación. Introducir el perno de tope en la parte de arriba del tubo y subir la bola que sirve para colgar. Asegurarse de que el perno de tope se ponga en línea con las ranuras dentro de la bola que sirve para colgar. Apretar bien el tornillo de fijación. [Referirse al **diagrama 4.**]

ADVERTENCIA: Si no se aprieta bien el tornillo de fijación (en la bola que sirve para colgar) es posible que se afloje el ventilador y que se caiga.

Ya que esté sujetado el soporte de montaje a la caja de salida y capaz de apoyar el ventilador, usted está listo para colgar el ventilador. Agarrar el ventilador firmemente con las dos manos. Deslizar el tubo por la abertura del soporte de montaje y dejar que se detenga la bola en el soporte de montaje. Girar la bola que sirve para colgar hasta que la ranura de la bola se alinee con la parte saliente del soporte de montaje. [Referirse al **diagrama 5.**]

ADVERTENCIA: El no alinear la ranura en la bola que sirve para colgar con la parte saliente del soporte de montaje puede causar lesiones graves o la muerte.

Sugerencia: Solicitar ayuda de otra persona para mantener sujeta la escalera y para que le suba el ventilador cuando usted ya esté preparado en la escalera para colgarlo.

Encontrar un punto de acoplamiento seguro (se recomienda la viga de madera en el techo) y asegurar el cable de seguridad. Utilizar tornillo para madera para trabajos pesados, arandela y arandela de seguridad (no provistos) en el bucle del cable de seguridad. Si es necesario, ajuste el bucle en el extremo del cable de seguridad. El bucle en el extremo del cable de seguridad debe ser de tal tamaño que pase justo sobre la punta de la parte roscada del tornillo para madera. *Poner el cable a prueba jalando con alicate la parte suelta en la punta del cable. Si el cable se desliza o se reduce el bucle del cable por donde pasa el tornillo, hay que ajustar el bucle de nuevo.* Se puede poner el cable en exceso en el área del techo. [Referirse al **diagrama 5.**]

NOTA: No se debe concluir que las precauciones de seguridad importantes e instrucciones en este manual van a abarcar todas las condiciones y situaciones posibles que puedan ocurrir. Se debe entender que el sentido común y la precaución son factores necesarios en la instalación y la operación de este ventilador.

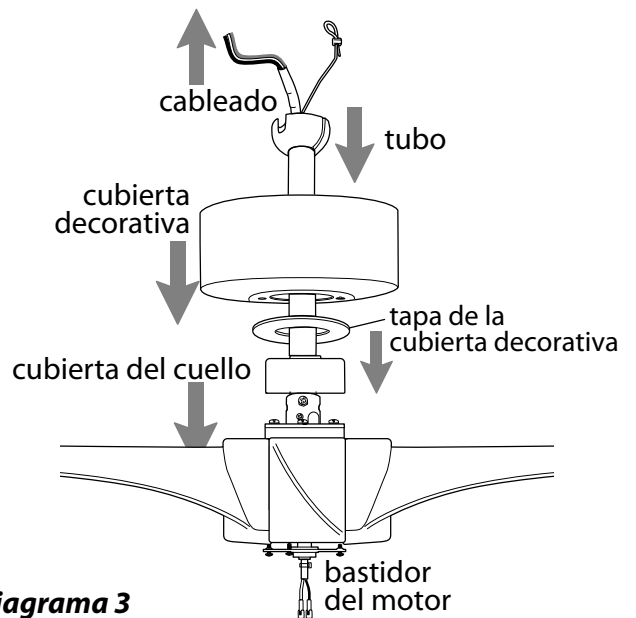


diagrama 3

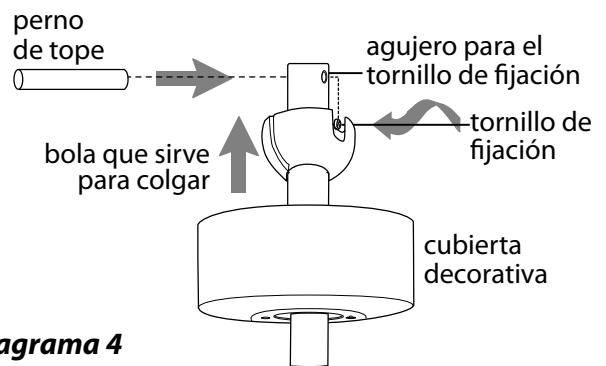


diagrama 4

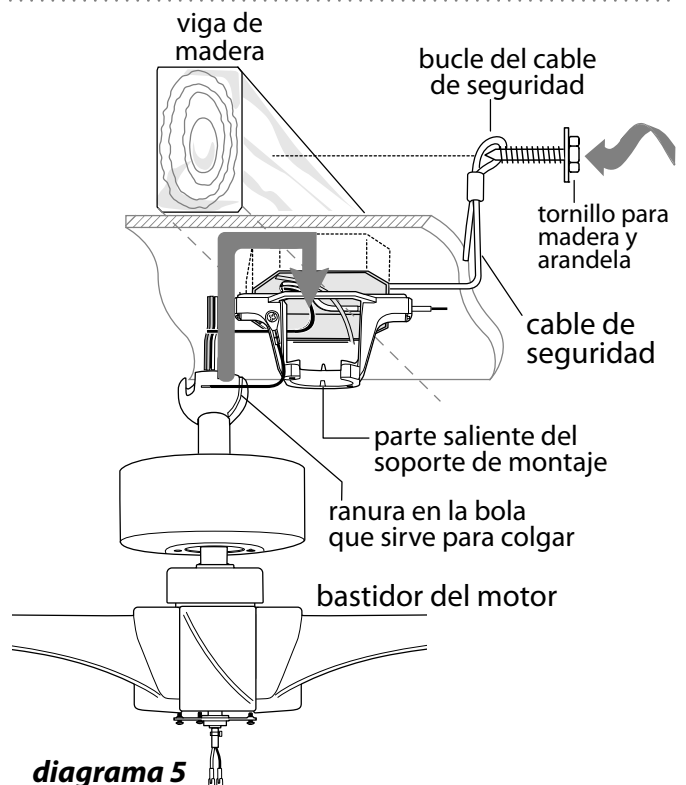


diagrama 5

7. Instalación eléctrica.

ADVERTENCIA: Apagar los cortacircuitos en el panel de electricidad que suplen corriente a la caja de salida y asegurarse de que el interruptor de luz esté APAGADO.

PRECAUCIÓN: Asegurarse de que la caja de salida esté conectada a tierra como es debido y que exista un conductor a tierra (**VERDE** o pelado).

Asegurarse de que todas las conexiones eléctricas cumplan con los Códigos o las Ordenanzas Locales y el Código Nacional Eléctrico. Si usted no está familiarizado con el alambrado eléctrico o los cables de la casa/el edificio son de colores diferentes a los cuales se refieren en el diagrama al lado, favor de buscar un electricista calificado.

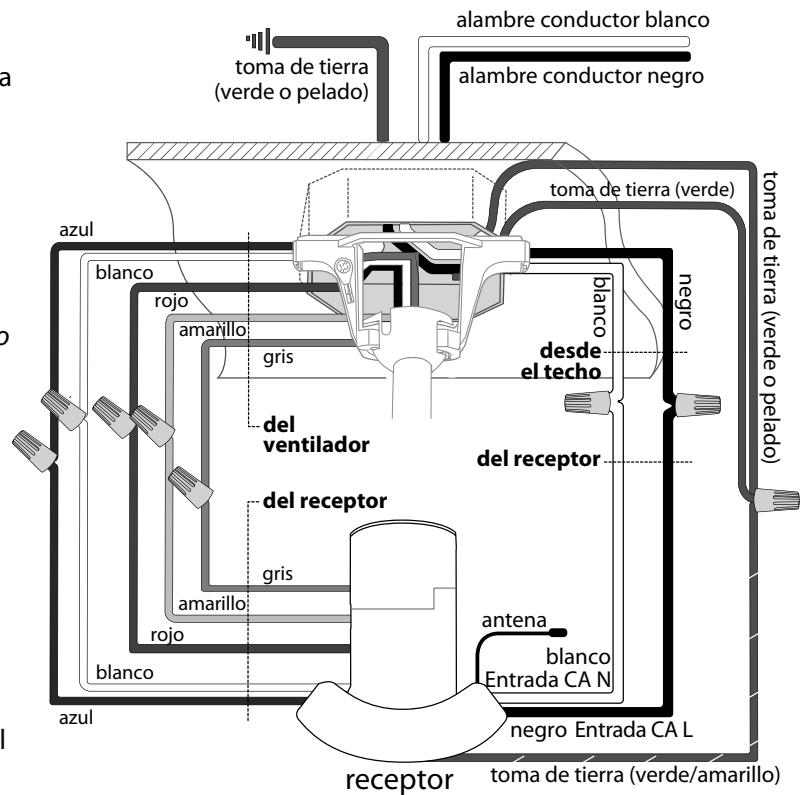
Nota: Si la longitud del alambrado que sale del ventilador es demasiado, se puede cortarlo al largo deseado y luego pelarlo.

Una vez que el ventilador esté bien sujeto en el soporte de montaje, alambrar el **RECEPTOR** con los conectores para cable provistos así como se muestra en el diagrama al lado.

Sugerencia: Mientras está haciendo la instalación eléctrica, recordar que los cables no deben impedir el posicionamiento del receptor en el soporte de montaje.

*Como una medida de seguridad adicional, envolver cada conector para cable por separado con cinta aisladora.

Meter el receptor (con el lado plano boca arriba) en el soporte de montaje y cuidadosamente empujar los conectores para cable que tienen cinta dentro de la caja de salida. Dejar que la antena se quede *fuera* del soporte de montaje.



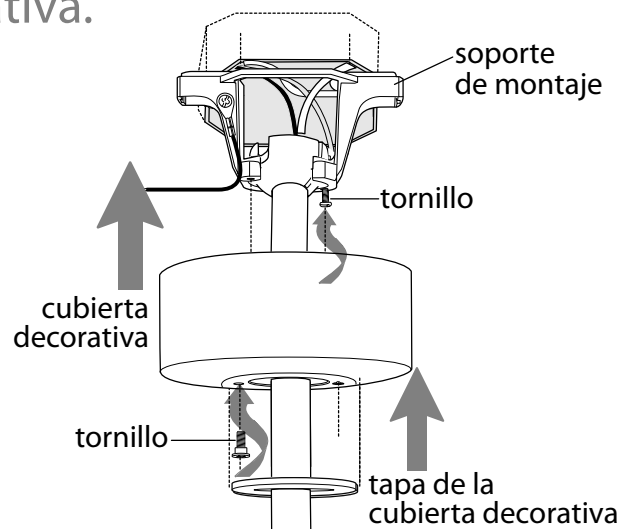
(cableado para el receptor)



8. Colocación de la cubierta decorativa.

Localizar los 2 tornillos en la parte inferior del soporte de montaje y quitar el tornillo que está localizado más cerca del extremo abierto del soporte de montaje. Aflojar parcialmente el otro tornillo. Elevar la cubierta decorativa hasta el soporte de montaje. Poner la parte redondeada del agujero con ranura en la cubierta decorativa encima del tornillo aflojado en el soporte de montaje y empujar hacia arriba. Girar la cubierta decorativa para cerrarla. Volver a introducir el tornillo que se quitó y luego apretar bien ambos tornillos.

Deslizar la tapa de la cubierta decorativa hacia arriba hasta la cubierta decorativa, alineando las protuberancias en la tapa de la cubierta decorativa con las muescas en el centro de la parte inferior de la cubierta decorativa. Empujar hacia arriba suave pero firmemente en la tapa de la cubierta decorativa hasta que encaje en la parte inferior de la cubierta decorativa y luego girar la tapa de la cubierta decorativa una vuelta de como 1,27 cm hacia la derecha (en sentido de las agujas del reloj).



9. Instalación del juego de luz.

Quitar 1 tornillo de la placa del motor en el lado inferior del bastidor del motor y aflojar los otros 2 tornillos. Alinear los agujeros con ranura en la placa de conexión con los tornillos aflojados en la placa del motor, dejando que las conexiones tipo "molex" del bastidor del motor pasen por el agujero de en medio de la placa de conexión. Girar la placa de conexión para cerrarla. Volver a introducir el tornillo que apenas se quitó y apretar los 3 tornillos con un destornillador de estrella Phillips.

Quitar 2 tornillos del lado inferior de la placa de conexión y parcialmente aflojar el otro tornillo.

Conectar el cable **BLANCO** del bastidor del motor al cable **BLANCO** del juego de luz LED. Conectar el cable **AZUL** (o **NEGRO**) del bastidor del motor al cable **AZUL** del juego de luz LED. Asegurarse de que las conexiones tipo "molex" se cierren bien con un clic.

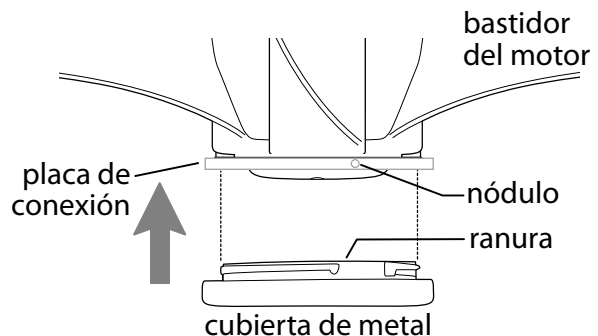
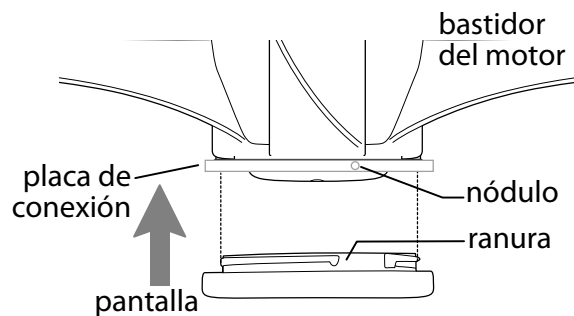
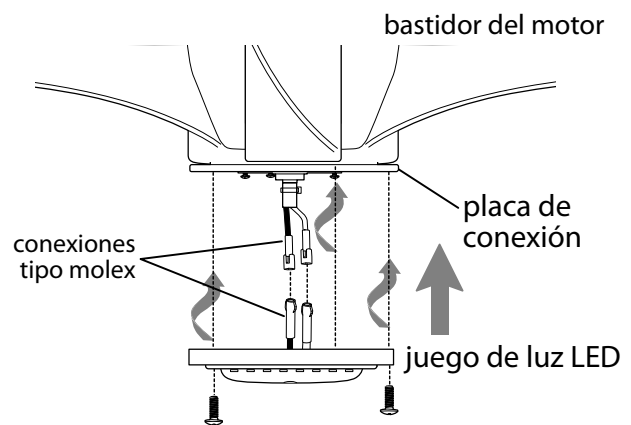
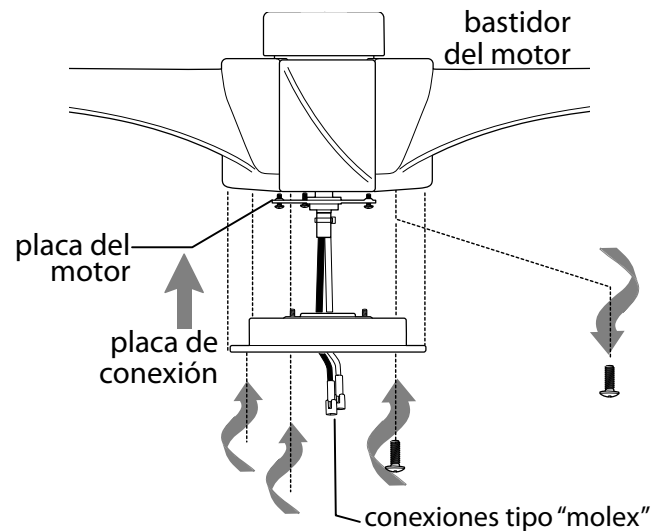
Con cuidado arreglar el cableado dentro de la placa de conexión. Alinear una de las aberturas en el borde exterior del juego de luz LED con el tornillo aflojado en la placa de conexión. Luego deslizar el juego de luz LED hacia el tornillo aflojado y empujar hacia arriba en el juego de luz LED, alineando las otras 2 aberturas en el juego de luz LED con los agujeros en la placa de conexión. Volver a introducir los 2 tornillos que se quitaron anteriormente y apretar bien los 3 tornillos.

Si desea UTILIZAR el juego de luz, alinear las ranuras en la pantalla con los nódulos dentro de la placa de conexión y empujar la pantalla delicadamente hacia arriba. Girar la pantalla hacia la DERECHA (en sentido de las agujas del reloj) hasta que se quede encajada.

Con MUCHO CUIDADO jalar hacia abajo en la pantalla para asegurarse de que se quedó bien sujeta.

Si NO desea utilizar el juego de luz, alinear las ranuras en la cubierta de metal con los nódulos dentro de la placa de conexión. Empujar la cubierta de metal suavemente hacia arriba y girar la cubierta de metal hacia la DERECHA (en sentido de las agujas del reloj) hasta que se quede encajada.

ADVERTENCIA: Si se queda la luz prendida, la cubierta de metal **SE CALENTARÁ**.



10. Proceso de aprendizaje automático./El activar el código.

PRECAUCIÓN: Se puede programar el transmisor del control remoto para usar con varios receptores o ventiladores. Si no desea hacer esto, apagar el interruptor de cualquier otro receptor o ventilador programable.

Quitar la tapa de la batería en la parte de atrás del transmisor del control remoto. Instalar una batería de 12 voltios (incluida).

ADVERTENCIA: La batería se debe introducir en la polaridad correcta.

Volver a conectar la electricidad. Dentro de 60 segundos de haber conectado la electricidad, oprimir el botón **SET** por 5 segundos o hasta que la luz parpadee dos veces. Luego volver a poner la tapa a la batería.

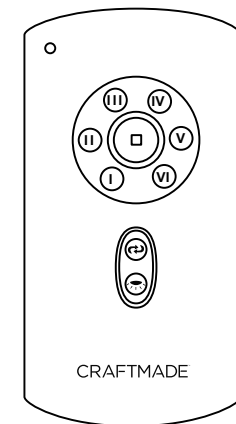
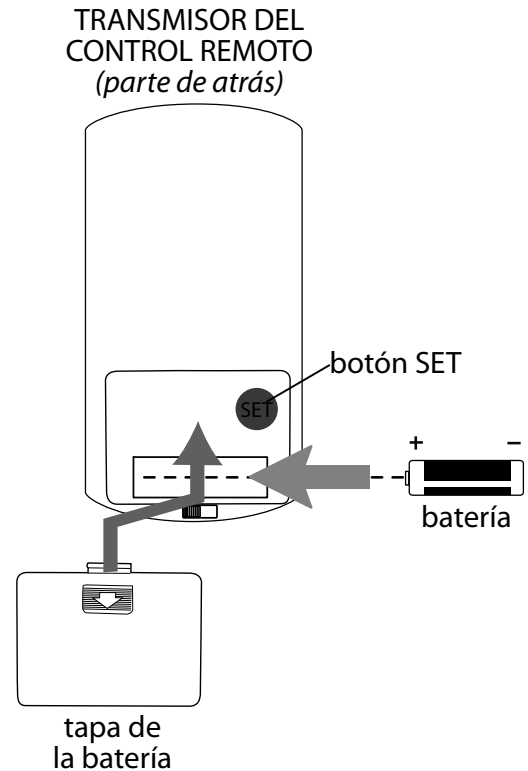
NOTA: Sacar la batería si está descargada o tiene poca carga y desecharla de manera apropiada.

IMPORTANTE: Guardar el transmisor del control remoto lejos del calor excesivo o la humedad. Para prevenir daño al transmisor del control remoto, sacar la batería si no se va a utilizar por un tiempo extendido.

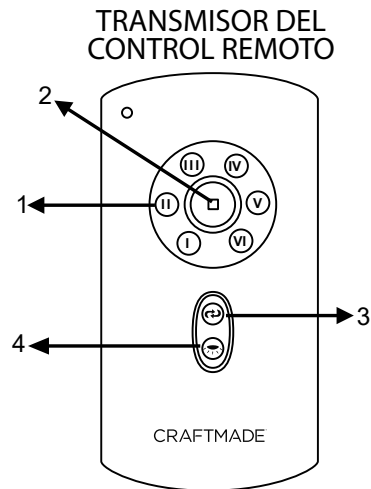
PRECAUCIÓN: "NO ARROJAR LAS BATERÍAS AL FUEGO, PUEDEN EXPLOTAR O CHORREAR" - Antes de desechar baterías alcalinas domésticas, se recomienda consultar a los coordinadores de residuos domésticos peligrosos o de reciclaje locales y estatales para solicitarles información específica sobre el programa vigente en su zona. A su vez, puede localizar un centro de reciclaje llamando al 1-800-8-BATTERY o el 1-877-2-RECYCLE, o visitando la página www.epa.gov/epawaste/index.htm o www.earth911.org para obtener más información.

ADVERTENCIA: Peligro de asfixia - Piezas pequeñas. Mantener las baterías fuera del alcance de los niños.

ADVERTENCIA: La batería NO es recargable. Una batería que no es recargable no debe recargarse.



11. Funcionamiento del control remoto.

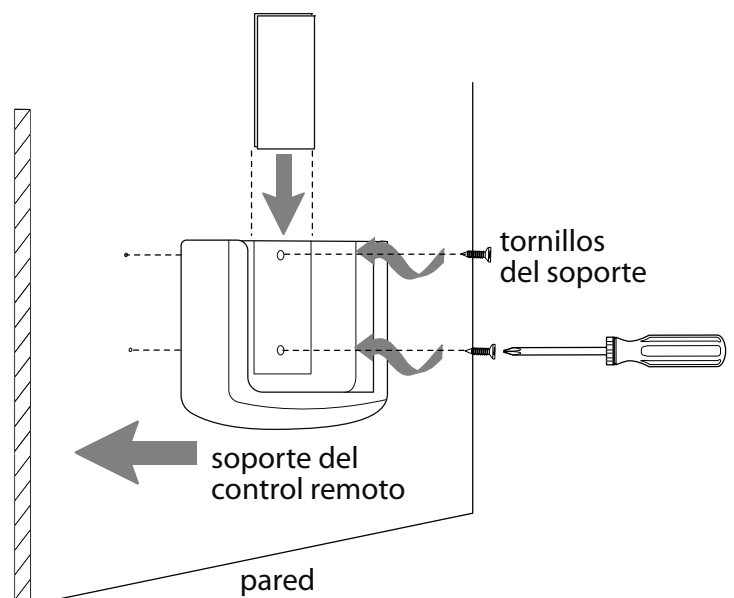


- 1--Botones de **VELOCIDAD** del ventilador: usar para controlar la velocidad del ventilador de 1- 6
- 2--Botón de **APAGADO** del ventilador: usar para apagar el ventilador
- 3--Botón de **REVERSA**: usar para controlar la dirección de la rotación del ventilador
- 4--Botón de **ILUMINACIÓN**: usar para controlar la luz

IMPORTANTE: *El proceso de aprendizaje automático tardará 5 minutos en completarse.* Favor de **dejar el ventilador "PRENDIDO"** durante estos 5 minutos que demora la programación y **NO proceder a usar el control remoto ni a cortar el suministro de fuerza eléctrica** durante este tiempo.

El ventilador **entrará en un ciclo de marcha de avance y marcha atrás, pasando por LAS SEIS (6) velocidades, y luego se detendrá automáticamente** después de haberse terminado el proceso de aprendizaje.

Si desea usar el soporte del control remoto, colocar los tornillos del paquete del remoto en el soporte y en el lugar de instalación deseado, *como se muestra al lado.* El transmisor del control remoto se apoya en el soporte.



12. Control Wi-Fi para ventilador de techo inteligente. (Opcional)

Si no se activa el Wi-Fi, no podrá contar con las características y funcionalidades ampliadas de su ventilador de techo: configuración de velocidad de brisa, crear horarios y activación por voz.

Para disfrutar de las posibilidades de su nuevo ventilador, consultar los siguientes pasos para terminar la configuración inteligente.

1. Descargar la aplicación **Bond Home**, disponible en Google Play Store y Apple App Store, o usar el código QR para descargar la aplicación.
2. Abrir la aplicación **Bond**.
3. Si ya tiene una cuenta de **Bond**, simplemente iniciar una sesión y continuar con el paso 4. Si no tiene una cuenta de **Bond**, oprimir "**Create Account**" (crear cuenta) y registrar su nombre, correo electrónico y crear una contraseña.
4. Seleccionar "+" para agregar un dispositivo.
5. Seleccionar "**Smart By Bond**" (SBB).
6. Seleccionar este ventilador inteligente.
7. Una vez que la aplicación **Bond** se conecte al ventilador, seleccionar "**CONTINUE**" (continuar) para continuar.
8. Hacer prueba de las funciones del ventilador:
 - Tiene la opción de desactivar la función de luz si su ventilador no tiene luz.
9. Seleccionar "**YES, IT WORKS**" (sí, funciona).
10. Información específica sobre su ventilador:
 - Seleccionar "**Location**" (ubicación) y elegir una de las opciones predefinidas o agregar su propia ubicación seleccionando "**OTHER**" (otro). Cuando termine, seleccionar "**Save**" (guardar).
 - Seleccionar el nombre del aparato y registrar un nombre para dicho aparato. Cuando termine, seleccionar "**OK**" para guardar. **POR FAVOR TOMAR EN CUENTA:** este nombre se utilizará para integraciones, por lo que es mejor un nombre simple y fácil de recordar.
11. Seleccionar "**Continue**" (continuar).
12. Seleccionar la red Wi-Fi a la cual le gustaría conectar el ventilador SBB.
13. Introducir la contraseña de Wi-Fi y seleccionar "**OK**".
14. Si hay algún problema con la conexión o se ingresa una contraseña incorrecta, recibirá un mensaje de error. Seleccionar "**OK, I've Got It**" (entendido).
15. Una vez realizada la conexión, seleccionar "**DONE**" (hecho).
16. Si el ventilador SBB no se muestra en la aplicación **Bond**, deslizar hacia abajo para actualizar.

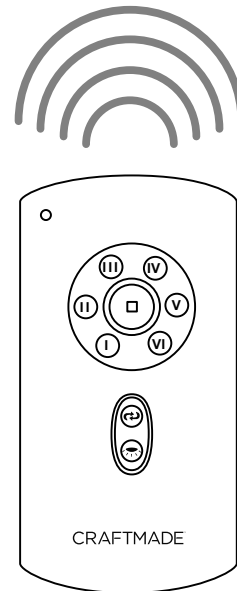



Para obtener ayuda en cualquier momento durante este proceso, pasar a la sección "**Help**" (ayuda) de la aplicación:

- Oprimir "**Settings**" (Configuración)
- Oprimir en "**Help Center**" (Centro de ayuda)
- Eligir "**Open a Ticket**" (Empezar un tíquet) o "**Live Chat**" (Chatear en vivo)

13. Verificación del funcionamiento del ventilador.

Se le recomienda poner el ventilador a prueba antes de terminar la instalación. Regresar la corriente de electricidad en el cortacircuitos y el interruptor de pared (si se aplica). Verificar las velocidades del ventilador con los diferentes botones de velocidad (I - VI) en el transmisor del control remoto. Poner a prueba la función de luz de APAGADO y ENCENDIDO con el botón , poner a prueba el funcionamiento del reductor de luz oprimiendo el botón  por hasta 5 segundos. Si el transmisor del control remoto maneja todas las funciones de ventilador, se ha instalado bien la batería. Si el transmisor del control remoto no controla todas las funciones del ventilador y la luz, favor de referirse a la sección "Localización de fallas" para resolver cualquier asunto antes de comunicarse con el Servicio al cliente.



Hay que poner el ventilador en posición BAJA antes de poner el ventilador en reversa. Usar el botón  para que circule bien el aire dependiendo de las estaciones del año. Un ventilador de techo le permitirá subir el termostato en verano y bajarlo en invierno sin notar una diferencia en su comodidad.

NOTA: Si el transmisor del control remoto interfiere con otros aparatos, activar un código nuevo en el control remoto ***cortando la corriente primero***. Repetir las instrucciones que tienen que ver con el botón "SET" de la sección 10 (página 10).

IMPORTANTE: Hay que sincronizar el transmisor del control remoto con el ventilador para que funcionen correctamente.

Localización de fallas.

ADVERTENCIA: *El no desconectar el suministro de fuerza eléctrica antes de hacer localización de fallas para cualquier problema de instalación eléctrica puede causar lesiones graves.*

Problema: El ventilador no funciona.

Soluciones:

1. Inspeccionar el interruptor de pared del ventilador.
2. Verificar la instalación eléctrica del ventilador.
3. Es posible que no tuvo éxito el proceso de aprendizaje entre el ventilador y el transmisor del control remoto y que no se activó el código. Desconectar la electricidad y repetir las instrucciones de la sección 10 (página 10) que tienen ver con el botón SET.
4. Averiguar que la luz roja se prende en el control remoto de mano cuando se oprima un botón, lo cual significa que sirve la batería.
5. Asegurarse de que se hizo bien la instalación eléctrica en el receptor.
6. Asegurarse de que se conectaron bien las conexiones tipo "molex" en el juego de luz LED.

Problema: El juego de luz no se ilumina.

Soluciones:

1. Inspeccionar el interruptor de pared del ventilador.
2. Verificar que se hizo correctamente la conexión de cables en la cubierta decorativa.
3. Verificar que se conectaron bien las conexiones tipo "molex" en el juego de luz LED.
4. Es posible que no tuvo éxito el proceso de aprendizaje entre el ventilador y el transmisor del control remoto y que no se activó el código. Desconectar la electricidad y repetir las instrucciones de la sección 10 (página 10) que tienen ver con el botón SET.

Problema: No funcionan el ventilador ni la luz con el control remoto.

Soluciones:

1. Averiguar la carga de la batería en el transmisor del control remoto.
2. Es posible que no tuvo éxito el proceso de aprendizaje entre el ventilador y el transmisor del control remoto y que no se activó el código. Desconectar la electricidad y repetir las instrucciones de la sección 10 (página 10) que tienen ver con el botón SET.

Problema: El ventilador se tambalea.

Soluciones:

1. Usar el juego para balancear las aspas incluido en uno de los paquetes de artículos de ferretería. *Si no se incluye un juego para balancear las aspas, llamar al Servicio al cliente, 1-800-486-4892, para pedir uno.*
2. Averiguar que se apretó (apretaron) bien el (los) tornillo(s) de fijación en el cuello de la unidad del motor.
3. Averiguar que se apretó bien el tornillo de fijación en la bola que sirve para colgar.

Garantía.

GARANTÍA LIMITADA DE POR VIDA DE CRAFTMADE™: CRAFTMADE garantiza este ventilador al comprador original para uso interior con las siguientes condiciones: **GARANTÍA DE 1 AÑO:** CRAFTMADE reemplazará o reparará cualquier ventilador que tenga funcionamiento deficiente debido a defectos en los materiales o trabajo manual. Comunicarse con el Servicio al cliente de CRAFTMADE al **1-800-486-4892** para acordar el reenvío del ventilador. Devolver el ventilador, con los gastos de envío prepagados, a Craftmade. Nosotros repararemos o reemplazaremos el ventilador y pagaremos los gastos de envío de regreso.

GARANTÍA DE 5 AÑOS: CRAFTMADE reemplazará o reparará sin costo al comprador original, cualquier motor de ventilador que no funcione de manera satisfactoria a causa de uso normal.

DEVOLVER EL MOTOR SOLAMENTE, los gastos de envío prepagados, a Craftmade. Nosotros repararemos el motor al comprador o le enviaremos uno de reemplazo y Craftmade pagará los gastos de envío de regreso.

GARANTÍA LIMITADA DE 6 AÑOS hasta DE POR VIDA: CRAFTMADE reparará el ventilador, sin costo al comprador original por el coste laboral, si el motor del ventilador no funciona satisfactoriamente a causa del uso normal. Las piezas que se utilizan en hacer la reparación serán facturadas al comprador a los precios prevalecientes en el momento de la reparación.

El comprador original será responsable de todos los gastos incurridos en sacar, reinstalar y enviar el producto para reparación.

Esta garantía no se aplica cuando el ventilador tenga daños por abuso mecánico, físico, eléctrico o por agua resultando en su mal funcionamiento. Se exenta específicamente el deterioro en el acabado u otras partes debido al tiempo o exposición al aire marino bajo esta garantía.

Ni Craftmade ni el fabricante se harán responsables por lo que pasa por una instalación inadecuada o el uso impropio de este producto. La compañía no se hará responsable en ningún caso de ningún daño emergente por incumplimiento de esta o cualquier otra garantía expresada o implicada en absoluto. Esta limitación de daños emergentes no se aplicará en estados donde es prohibido.

Piezas de repuesto.

Para piezas o información, referirse al "Inventario de piezas" en la página 4. Servicio al cliente de Craftmade:

1-800-486-4892

www.craftmade.com

CRAFTMADE™