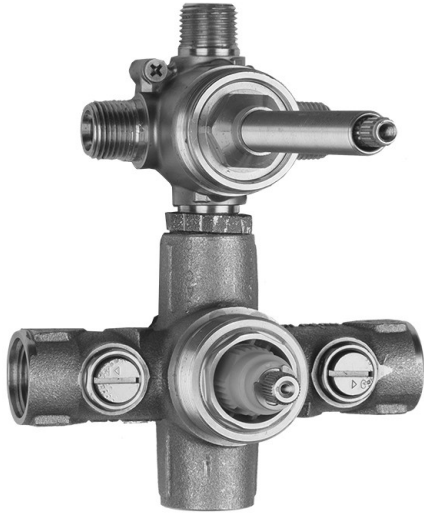


Thermostatic Valve with Built in 3-way Diverter/Volume Control with Shared Function & Shut Off

Model #: J-TH34-689



FEATURES:

- Thermostatic valve with built in diverter/shut off for easier installation and clean appearance
- Top valve is a three way diverter that consists of inlet for water , two outlets, & a shared function (see J-20689 for operation)
- Bottom valve is a Thermostatic mixing valve that maintains a constant water temperature automatically, regardless of incoming hot & cold water pressure & temperature. Set valve to desired temperature & no need to adjust further
- Anti-scald protection
- Diverter: 1/2" NPT male ports / Thermostatic: 3/4" NPT female ports
- 12 GPM flow @ 60 PSI
- Works well with low water pressure

AVAILABLE FINISHES:

N/A

SPECIFICATION DRAWING:

