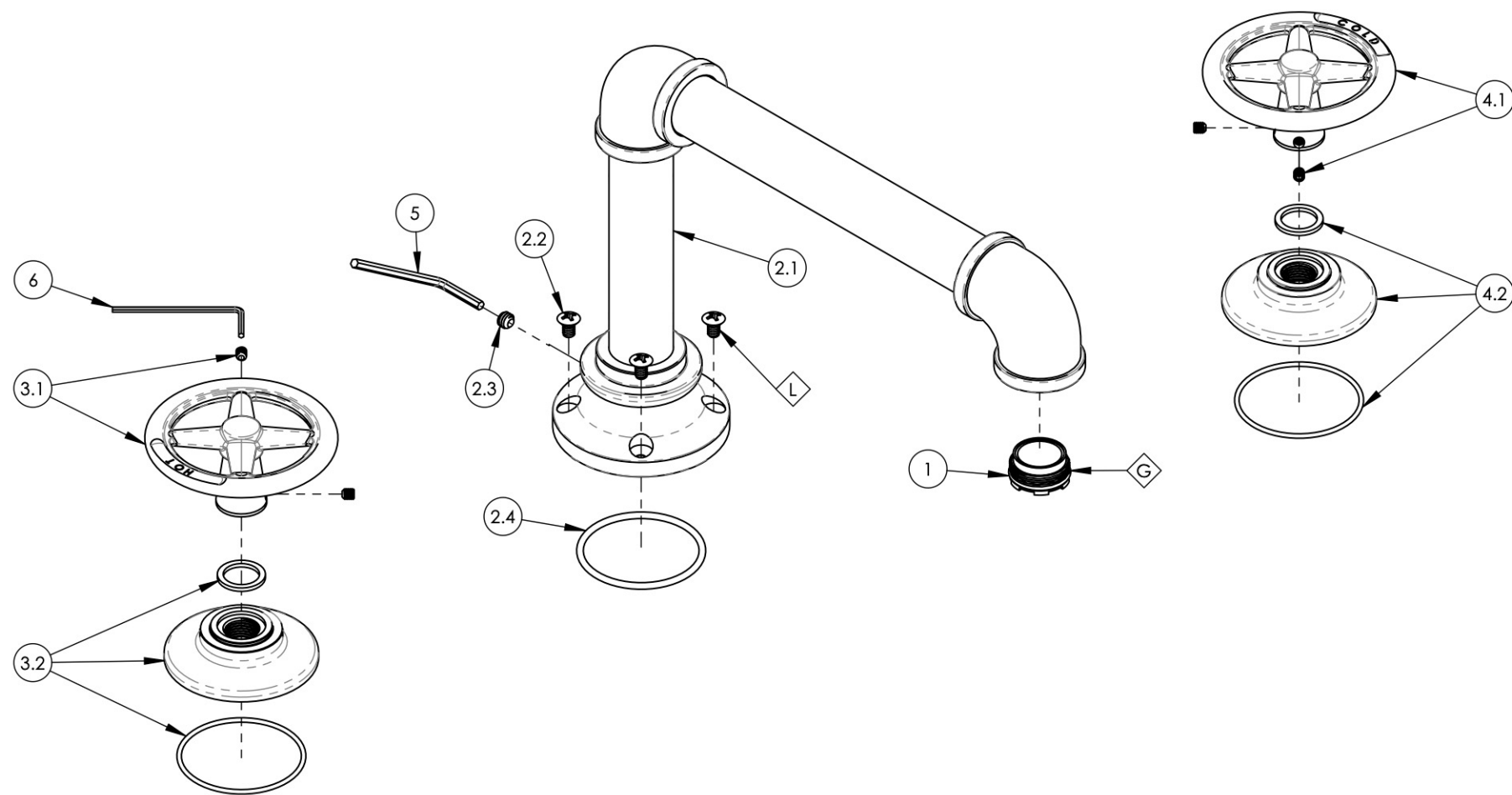


NOTE(S):

- 1. APPLY NSF COMPLIANT GREASE TO ANY O-RING, SEALING JOINTS, AND/OR PIVOTAL POINTS. G
- 2. APPLY NSF COMPLIANT LOCTITE TO THREADED AREA. L

| ITEM NO. | PART NUMBER | DESCRIPTION | QTY. |
|----------|-------------|--|------|
| 1 | 11650 | AERATOR, CACHE FULL FLOW, M24X1-6G | 1 |
| 2 | 3-296/00 | SPOUT, DECK TUB, INDUSTRIAL, WORKS | 1 |
| 2.1 | 2-354/00 | SPOUT, DECK TUB, INDUSTRIAL, BRAZE, WORKS | 1 |
| 2.2 | 92448 | SCREW, STAINLESS STEEL, PHILLIPS HEAD, 10-24 X 5/16" L | 4 |
| 2.3 | 92391 | SET SCREW, CUP PT, 1/4"-20 X 3/16" L | 1 |
| 2.4 | 90133 | 1 3/4" O-RING, 1-13/16 ID X 3/32 THK, AS-568-133 | 1 |
| 3 | 3-612/00 | HANDLE CROSS HOT, W/ BASE & HARDWARE, WORKS | 1 |
| 3.1 | 3-300/00 | HANDLE CROSS, HOT, W/ HARDWARE, WORKS | 1 |
| 3.2 | 3-299/00 | ESCUTCHEON BASE FOR HANDLE, WORKS | 1 |
| 4 | 3-613/00 | HANDLE CROSS COLD, W/ BASE & HARDWARE, WORKS | 1 |
| 4.1 | 3-301/00 | HANDLE CROSS, COLD, W/ HARDWARE, WORKS | 1 |
| 4.2 | 3-299/00 | ESCUTCHEON BASE FOR HANDLE, WORKS | 1 |
| 5 | 92216 | HEX L-KEY 1/8" HEX x 2-5/16" L | 1 |
| 6 | P39001 | HEX KEY 5/64, FOR 8-32 SET SCREW | 1 |



| | | | | | |
|---|------|--|--|---|--|
| ZONE | REV. | DESCRIPTION | DATE | APPROVED | |
| REVISIONS | | | | | |
| 1261 LOGAN AVENUE COSTA MESA, CALIFORNIA 92626 PHONE: 714.361.4800 FAX: 714.617.3120 | | PHYLIRICH® | PROPRIETARY AND CONFIDENTIAL THE INFORMATION CONTAINED IN THIS DRAWING IS THE SOLE PROPERTY OF PHYLIRICH. ANY REPRODUCTION IN PART OR AS A WHOLE WITHOUT THE WRITTEN PERMISSION OF PHYLIRICH IS PROHIBITED. | | |
| NEXT ASSY MATERIAL FINISH DO NOT SCALE DRAWING | | USED ON APPLICATION NAME DATE | | INTERPRET GEOMETRIC DIMENSIONING & TOLERANCING IN ACCORDANCE WITH ASME Y14.5-2009 & ASME Y14.41-2003 STANDARDS. UNLESS OTHERWISE SPECIFIED, DIMENSIONS ARE IN INCHES. TOLERANCES ARE: FRACTIONS ±1/16" DECIMALS X.X: ±.1 X.XX: ±.01 X.XXX: ±.005 ANGULAR ±2° | |
| SIZE B | | ASM/PRT NO. 221-40/00 | | REV | |
| SCALE: 1:2.5 | | WEIGHT: lbs. | | SHEET 1 OF 2 | |