

5

4

3

2

1

NOTE(S):

- 1. PART NUMBER, "/00" DENOTES PART SHALL HAVE FINISH.
- 2. APPLY NSF COMPLIANT GREASE TO ANY O-RING, SEALING JOINTS, AND/OR PIVOTAL POINTS. G
- 3. APPLY NSF COMPLIANT LOCTITE TO THREADED AREA. L
- 4. APPLY NSF COMPLIANT REMOVABLE (BLUE) LOCTITE TO THREADED AREA. B
- 5. SILVER SOLDER JOINTS SHALL BE FULLY WETTED VIA CAPILLARY ACTION AND COMPLETELY NON-POROUS. S

ITEM NO.	PART NUMBER	DESCRIPTION	QTY.
1	3-592/00	ASSY, SPOUT, DECK TUB, DIAMA	1
1.1	11767/00	ESCUTCHEON, SPOUT, DECK TUB, DIAMA	1
1.2	11774/00	SPOUT, DECK TUB, DIAMA	1
1.3	P05051	AERATOR, CACHE COINED SLOT M24X1.0 FULL FLOW	1
1.4	90034	O-RING, 2-1/8"ID X 2-1/4"OD X 1/16"THK, AS-568-034	1
1.5	90017	O-RING, 11/16"ID X 13/16"OD X 1/16"THK, AS-568-017	1
1.6	11220	SPUD SCREW, 1/2"-NPSM CONNECTOR	1
1.7	92158	DOWEL PIN, 1/8" X 3/8"L	2
1.8	92262	SET SCREW, CUP PT 1/4"-20 X 5/8"L	1
2	3-595/00	ASSY, BLADE HANDLE, DIAMA	2
2.1	11762/00	BLADE HANDLE, DIAMA	1
2.2	11764/00	ESCUTCHEON, HANDLE, DIAMA	1
2.3	92005	SET SCREW, CUP PT 6-32 UNC THREAD 3/16"L	1
2.4	92176	WEAR WASHER	2
2.5	92177	RETAINING RING, 7/16" SHAFT	1

E

E

D

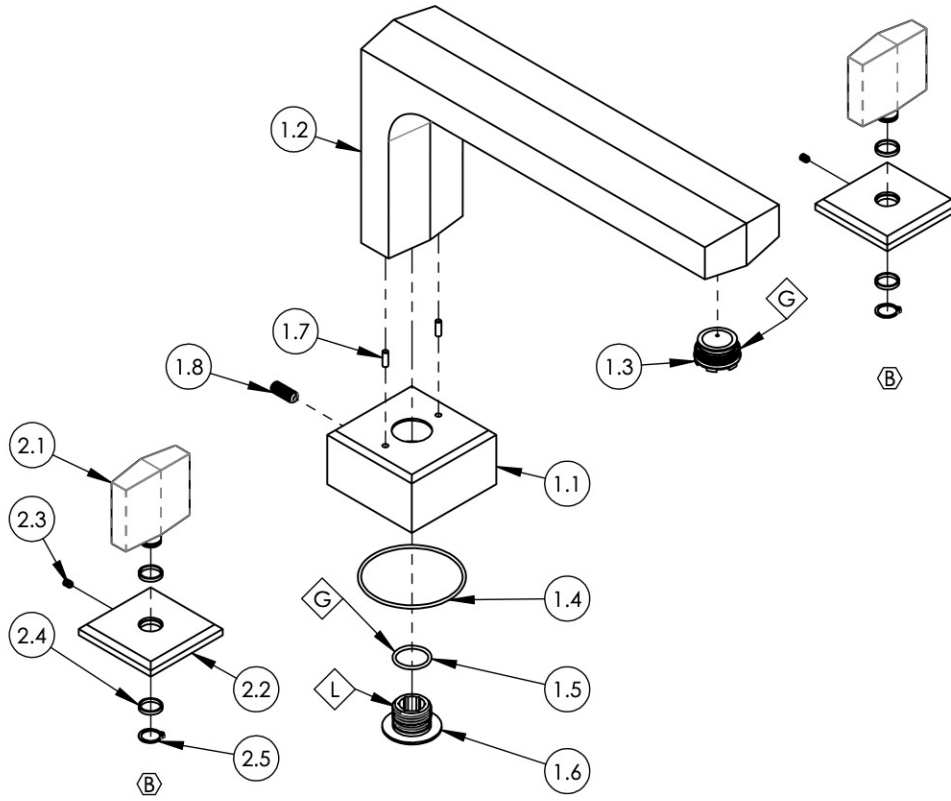
D

C

C

B

B



ZONE	REV.	DESCRIPTION	DATE	APPROVED
B5, C3	B	REMOVED SLEEVE MOUNT & O-RING	1/11/2023	LFV
ALL	A	UPDATE TEMPLATE, ADD CALL OUTS	6/12/2020	AMM

REVISIONS

1261 LOGAN AVENUE
COSTA MESA, CALIFORNIA 92626
PHONE: 714.361.4800
FAX: 714.617.3120

PHYLIRICH
D.I. L... ..

PROPRIETARY AND CONFIDENTIAL
THE INFORMATION CONTAINED IN THIS DRAWING IS THE SOLE PROPERTY OF PHYLIRICH. ANY REPRODUCTION IN PART OR AS A WHOLE WITHOUT THE WRITTEN PERMISSION OF PHYLIRICH IS PROHIBITED.
DO NOT SCALE DRAWING

DECK TUB, BLADE HANDLES, DIAMA

SIZE A	ASM/PRT NO. 184-40/00	REV B
SCALE: 1:4	WEIGHT: lbs.	SHEET 1 OF 2

5

4

3

2

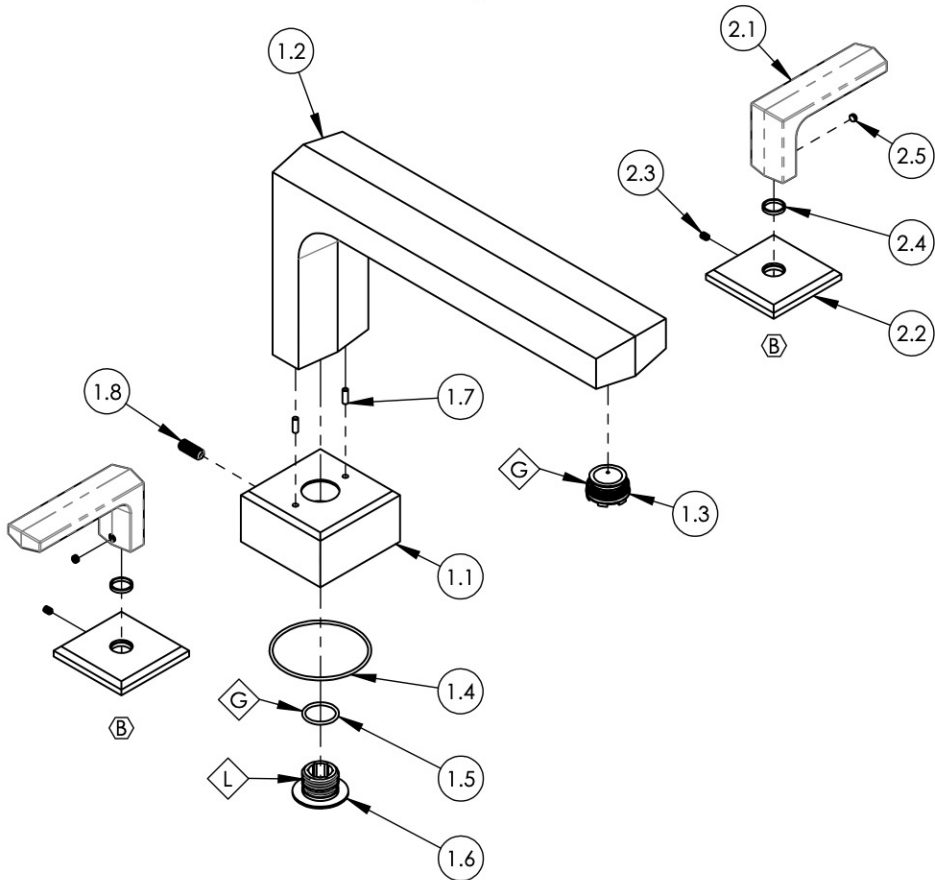
1

A

A

NOTE(S):

1. PART NUMBER, "/00" DENOTES PART SHALL HAVE FINISH.
2. APPLY NSF COMPLIANT GREASE TO ANY O-RING, SEALING JOINTS, AND/OR PIVOTAL POINTS.
3. APPLY NSF COMPLIANT LOCTITE TO THREADED AREA.
4. APPLY NSF COMPLIANT REMOVABLE (BLUE) LOCTITE TO THREADED AREA.
5. SILVER SOLDER JOINTS SHALL BE FULLY WETTED VIA CAPILLARY ACTION AND COMPLETELY NON-POROUS.



ITEM NO.	PART NUMBER	DESCRIPTION	QTY.
1	3-592/00	ASSY, SPOUT, DECK TUB, DIAMA	1
1.1	11767/00	ESCUTCHEON, SPOUT, DECK TUB, DIAMA	1
1.2	11774/00	SPOUT, DECK TUB, DIAMA	1
1.3	P05051	AERATOR, CACHE COINED SLOT M24X1.0 FULL FLOW	1
1.4	90034	O-RING, 2-1/8"ID X 2-1/4"OD X 1/16"THK, AS-568-034	1
1.5	90017	O-RING, 11/16"ID X 13/16"OD X 1/16"THK, AS-568-017	1
1.6	11220	SPUD SCREW, 1/2"-NPSM CONNECTOR	1
1.7	92158	DOWEL PIN, 1/8" X 3/8"L	2
1.8	92262	SET SCREW, CUP PT 1/4"-20 X 5/8"L	1
2	3-596/00	ASSY, LEVER HANDLE, DIAMA	2
2.1	11769/00	LEVER HANDLE, DIAMA	1
2.2	11764/00	ESCUTCHEON, HANDLE, DIAMA	1
2.3	92005	SET SCREW, CUP PT 6-32 UNC THREAD 3/16"L	1
2.4	92176	WEAR WASHER	1
2.5	92163	SET SCREW, CUP PT 8-32 X 1/8"L	1

ZONE	REV.	DESCRIPTION	DATE	APPROVED
B5, C3	B	REMOVED FLUSH MOUNT & O-RING	1/12/2023	LFV
ALL	A	UPDATE TEMPLATE, ADD CALL OUTS	6/12/2020	AMM
REVISIONS				

1261 LOGAN AVENUE
COSTA MESA, CALIFORNIA 92626
PHONE: 714.361.4800
FAX: 714.617.3120

PHYLIRICH
D.L. King, Lutz, & Co. Inc.

PROPRIETARY AND CONFIDENTIAL
THE INFORMATION CONTAINED IN THIS DRAWING IS THE SOLE PROPERTY OF PHYLIRICH. ANY REPRODUCTION IN PART OR AS A WHOLE WITHOUT THE WRITTEN PERMISSION OF PHYLIRICH IS PROHIBITED.
DO NOT SCALE DRAWING

DECK TUB, LEVER HANDLES, DIAMA

SIZE A	ASM/PRT NO. 184-41/00	REV B
SCALE: 1:4.25	WEIGHT: lbs.	SHEET 1 OF 2