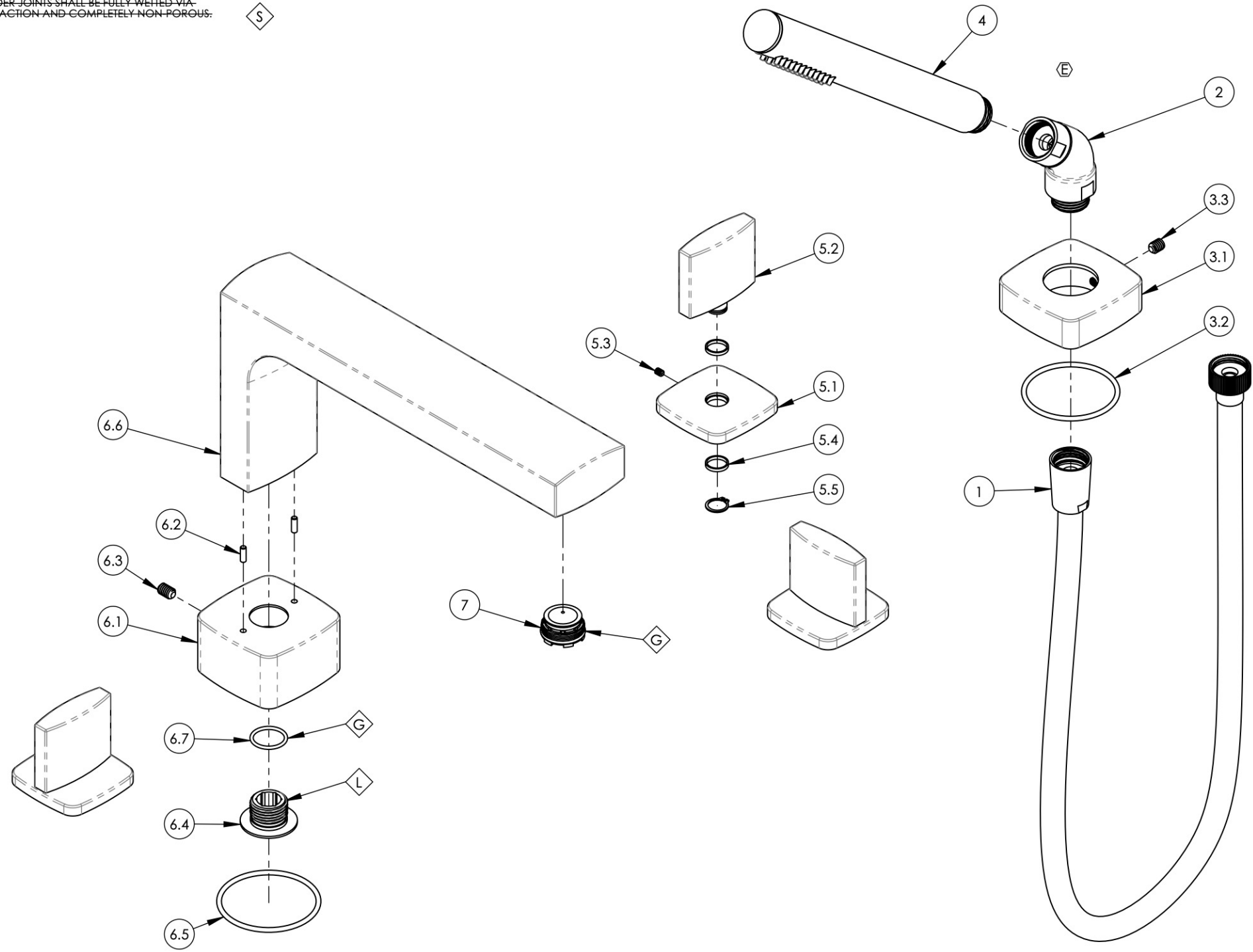


NOTE(S):

1. PART NUMBER, "/00" DENOTES PART SHALL HAVE FINISH.
2. APPLY NSF COMPLIANT GREASE TO ANY O-RING, SEALING JOINTS, AND/OR PIVOTAL POINTS.
3. APPLY NSF COMPLIANT LOCTITE TO THREADED AREA.
4. APPLY NSF COMPLIANT REMOVABLE (BLUE) LOCTITE TO THREADED AREA.
5. SILVER SOLDER JOINTS SHALL BE FULLY WETTED VIA CAPILLARY ACTION AND COMPLETELY NON-POROUS.



ITEM NO.	PART NUMBER	DESCRIPTION	QTY.
1	3-049/00	ASSY, HOSE KIT, HANDSHOWER	1
2	3-050/00	ELBOW ASSEMBLY	1
3	3-215/00	ESCUTCHEON BASE, HANDSHOWER, RADI	1
3.1	11638/00	ESCUTCHEON BASE, DECK TUB, HAND SHOWER, RADI	1
3.2	90135	O-RING, 1-15/16"ID X 3/32"THK, AS-568-135	1
3.3	92127	SET SCREW, CUP PT, 1/4"-20 X 5/16"L, SS	1
4	3-471/00	ASSY, ROUND HANDSHOWER, CONTEMPORARY	1
5	3-519/00	ASSY, BLADE HANDLE, RADI	3
5.1	11620/00	ESCUTCHEON, HANDLE RADI	1
5.2	11619/00	HANDLE, BLADE, RADI	1
5.3	92005	SET SCREW, CUP PT 6-32 UNC THREAD 3/16"L	1
5.4	92176	WEAR WASHER	2
5.5	92177	RETAINING RING, 7/16" SHAFT	1
6	3-529/00	ASSY, DECK TUB SPOUT, RADI	1
6.1	11636/00	ESCUTCHEON, DECK TUB SPOUT, RADI	1
6.2	92158	DOWEL PIN, 1/8" X 3/8"L	2
6.3	92173	SET SCREW, CUP PT, 1/4"-20 X 3/8" L	1
6.4	11220	SPUD SCREW, 1/2"-NPSM CONNECTOR	1
6.5	90137	O-RING, 2-1/16"ID X 3/32"THK., AS-568-137	1
6.6	11635/00	SPOUT, DECK TUB, RADI	1
6.7	90017	O-RING, 11/16"ID X 13/16"OD X 1/16"THK, AS-568-017	1
7	P05051	AERATOR, CACHE COINED SLOT M24X1.0 FULL FLOW	1

D4	E	REMOVE HAND SHOWER SUBASSY	2/22/2021	AMM
ZONE	REV.	DESCRIPTION	DATE	APPROVED
REVISIONS				

1261 LOGAN AVENUE  
COSTA MESA, CALIFORNIA 92626  
PHONE: 714.361.4800  
FAX: 714.617.3120

**PHYLIRICH**  
Defining Luxury Since 1959

**PROPRIETARY AND CONFIDENTIAL**  
THE INFORMATION CONTAINED IN THIS DRAWING IS THE SOLE PROPERTY OF PHYLIRICH. ANY REPRODUCTION IN PART OR AS A WHOLE WITHOUT THE WRITTEN PERMISSION OF PHYLIRICH IS PROHIBITED.  
**DO NOT SCALE DRAWING**

**DECK TUB SET, BLADE HANDLES W/  
HANDSHOWER, RADI**

SIZE <b>B</b>	ASM/PRT NO. <b>181-48/00</b>	REV <b>E</b>
SCALE: 1:2.75	WEIGHT: lbs.	SHEET 1 OF 2