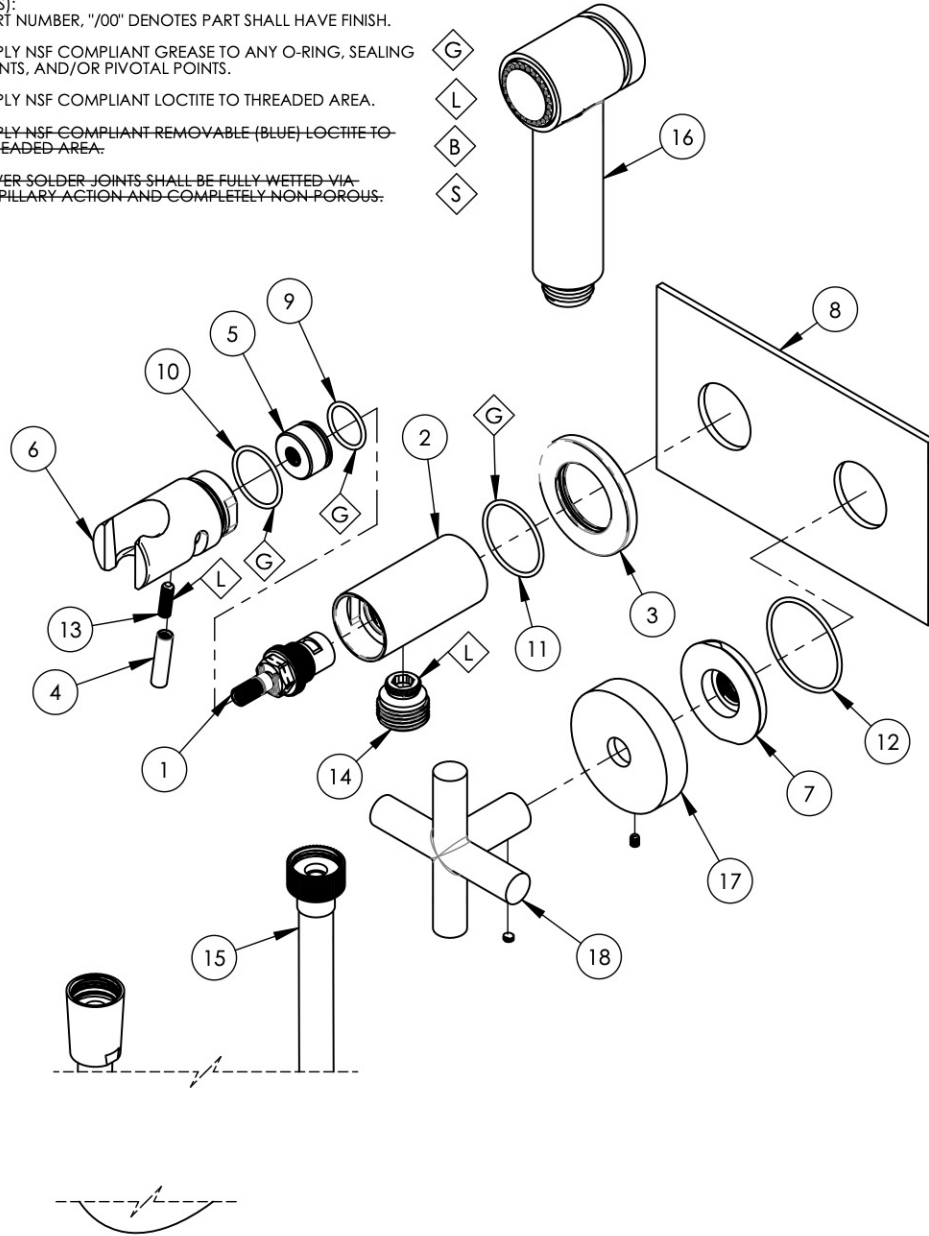


- NOTE(S):
- PART NUMBER, "/00" DENOTES PART SHALL HAVE FINISH.
 - APPLY NSF COMPLIANT GREASE TO ANY O-RING, SEALING JOINTS, AND/OR PIVOTAL POINTS.
 - APPLY NSF COMPLIANT LOCTITE TO THREADED AREA.
 - APPLY NSF COMPLIANT REMOVABLE (BLUE) LOCTITE TO THREADED AREA.
 - SILVER SOLDER JOINTS SHALL BE FULLY WETTED VIA CAPILLARY ACTION AND COMPLETELY NON-POROUS.

G
L
B
S



ITEM NO.	PART NUMBER	DESCRIPTION	QTY.
1	10739	CARTRIDGE, VALVE 3/8" G RIGHT CLOSING	1
2	10859/00	BODY, HANDSHOWER HOLDER W/ INTEGRATED VOL. CTRL.	1
3	10860/00	ESCUTCHEON, FLANGE	1
4	10861/00	HANDLE, LEVER 10-24 UNC	1
5	10862/00	HIDDEN HUB, HANDSHOWER VOL. CTRL.	1
6	10863/00	SHOWER HOOK, INTEGRATED HANDLE	1
7	11003	SLEEVE MOUNT, WALL MT WIDESPREAD	1
8	11212/00	PLATE, TWO HANDLE, BASIC SERIES	1
9	90017	O-RING, 1 1/16" ID X 1 3/16" OD X 1/16" THK, AS-568-017	1
10	90021	O-RING, 1 5/16" ID X 1 1/16" OD X 1/16" THK, AS-568-021	1
11	90025	O-RING, 1-3/16" ID X 1/16" THK, AS-568-025	1
12	90029	O-RING, 1-5/8" ID X 1-3/4" OD X 1/16" THK, AS-568-029	1
13	92152	SET SCREW, CUP PT. 10-24 UNC X 5/8" L	1
14	P18011/00	CONNECTOR OUTLET 1/2", HOUSING OV10	1
15	3-049/00	ASSY, HOSE KIT, HANDSHOWER	1
16	3-410/00	ASSY, HAND SPRAY	1
17	3-590/00	ESCUTCHEON W/ SET SCREW, TRANSITION	1
18	3-580/00	HANDLE CROSS W/ SET SCREW, TRANSITION	1

ZONE	REV.	DESCRIPTION	DATE	APPROVED
REVISIONS				

1261 LOGAN AVENUE
COSTA MESA, CALIFORNIA 92626
PHONE: 714.361.4800
FAX: 714.617.3120

PHYL RICH[®]
Defining Luxury Since 1959

PROPRIETARY AND CONFIDENTIAL
THE INFORMATION CONTAINED IN THIS DRAWING IS THE SOLE PROPERTY OF PHYL RICH. ANY REPRODUCTION IN PART OR AS A WHOLE WITHOUT THE WRITTEN PERMISSION OF PHYL RICH IS PROHIBITED.
DO NOT SCALE DRAWING

TRIM, WALL MOUNTED BIDET, CROSS HANDLE, TRANSITION

SIZE A	ASM/PRT NO. 120-64/00	REV -
SCALE: 1:3	WEIGHT: lbs.	SHEET 1 OF 2