

## Regent / Versailles Exposed Tub and Hand Shower Set

K2393-30



### TECHNICAL DETAILS

ADA Compliance: Yes  
 Fitting Hole Diameter: 1 1/8"  
 Number of Holes: Two Hole  
 Number of Handles: Two  
 Handle Turn Angle: Quarter Turn  
 Spout Reach: 3 1/2"  
 Installation Type: Wall Mounted  
 Primary Material: Brass  
 Valve Material: Ceramic  
 Spout Flow Restriction: Full Flow  
 Hand Shower Flow Restriction: 1.8 GPM  
 Water Pressure Maximum: 85 PSI  
 Water Pressure Minimum: 20 PSI  
 Water Pressure Recommended: 60 PSI

### PRODUCT FEATURES

- Collection: Regent / Versailles
- Temperature Controlled By Handles
- Green Onyx - Lever Handle
- Hand Shower Hose Length: 59"

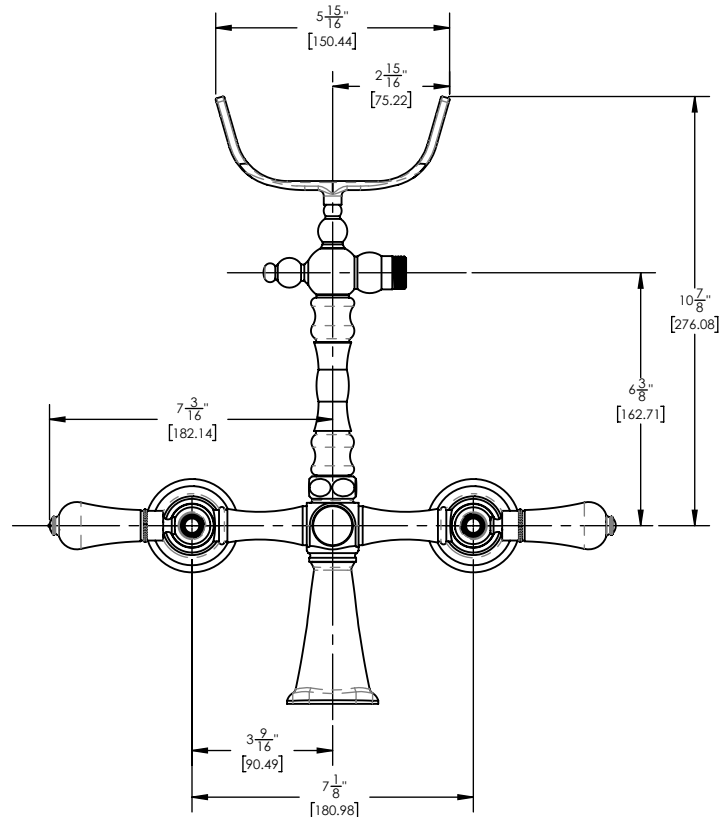
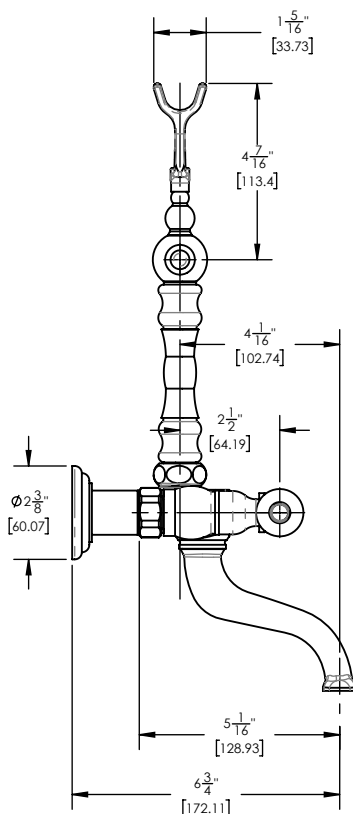
### CODES & STANDARDS

ASME A112.181/ CSA B1251, ASME 112.18.2/ CSA B125.2, ANSI NSF, CEC



### WARRANTY

Mechanical Warranty: 10 Years from date of purchase.  
 finish warranty: see catalog for further information.



## Regent / Versailles Exposed Tub and Hand Shower Set

K2393-33



### TECHNICAL DETAILS

ADA Compliance: Yes  
 Fitting Hole Diameter: 1 1/8"  
 Number of Holes: Two Hole  
 Number of Handles: Two  
 Handle Turn Angle: Quarter Turn  
 Spout Reach: 3 1/2"  
 Installation Type: Wall Mounted  
 Primary Material: Brass  
 Valve Material: Ceramic  
 Spout Flow Restriction: Full Flow  
 Hand Shower Flow Restriction: 1.8 GPM  
 Water Pressure Maximum: 85 PSI  
 Water Pressure Minimum: 20 PSI  
 Water Pressure Recommended: 60 PSI

### PRODUCT FEATURES

- Collection: Regent / Versailles
- Temperature Controlled By Handles
- Pink Onyx - Lever Handle
- Hand Shower Hose Length: 59"

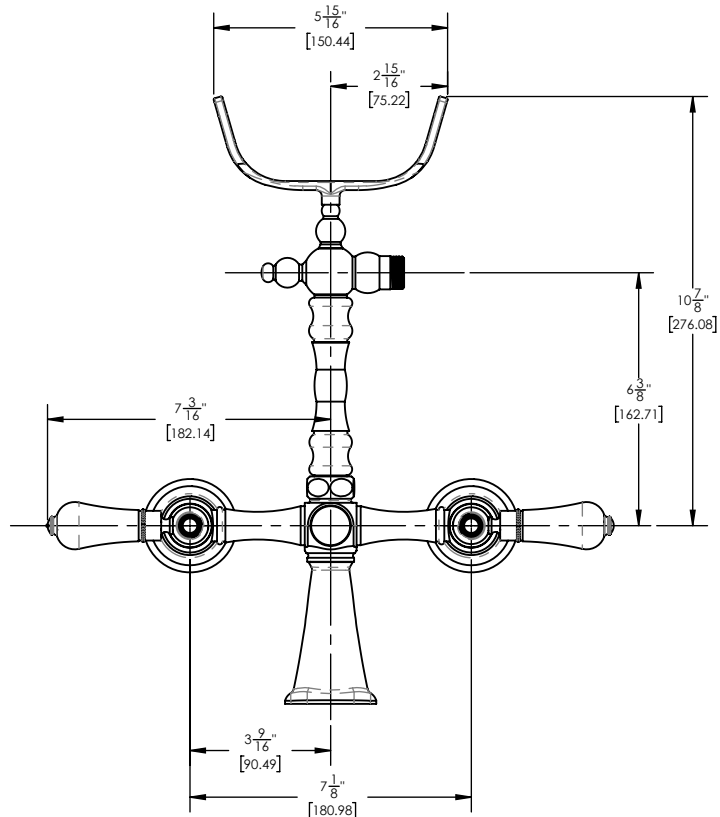
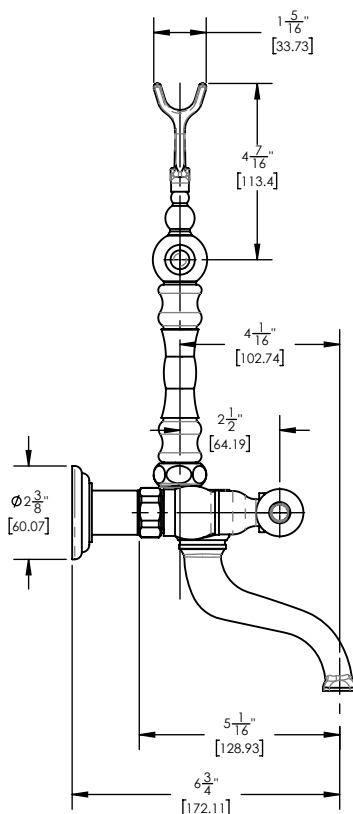
### CODES & STANDARDS

ASME A112.181/ CSA B1251, ASME 112.18.2/ CSA B125.2, ANSI NSF, CEC



### WARRANTY

Mechanical Warranty: 10 Years from date of purchase.  
 finish warranty: see catalog for further information.



## Regent / Versailles Exposed Tub and Hand Shower Set

K2393-34



### TECHNICAL DETAILS

ADA Compliance: Yes  
 Fitting Hole Diameter: 1 1/8"  
 Number of Holes: Two Hole  
 Number of Handles: Two  
 Handle Turn Angle: Quarter Turn  
 Spout Reach: 3 1/2"  
 Installation Type: Wall Mounted  
 Primary Material: Brass  
 Valve Material: Ceramic  
 Spout Flow Restriction: Full Flow  
 Hand Shower Flow Restriction: 1.8 GPM  
 Water Pressure Maximum: 85 PSI  
 Water Pressure Minimum: 20 PSI  
 Water Pressure Recommended: 60 PSI

### PRODUCT FEATURES

- Collection: Regent / Versailles
- Temperature Controlled By Handles
- Black Onyx - Lever Handle
- Hand Shower Hose Length: 59"

### CODES & STANDARDS

ASME A112.181/ CSA B1251, ASME 112.18.2/ CSA B125.2, ANSI NSF, CEC



### WARRANTY

Mechanical Warranty: 10 Years from date of purchase.  
 finish warranty: see catalog for further information.

