

Regent / Versailles Exposed Tub and Hand Shower Set

K2393-30



TECHNICAL DETAILS

ADA Compliance: Yes
 Fitting Hole Diameter: 1 1/8"
 Number of Holes: Two Hole
 Number of Handles: Two
 Handle Turn Angle: Quarter Turn
 Spout Reach: 3 1/2"
 Installation Type: Wall Mounted
 Primary Material: Brass
 Valve Material: Ceramic
 Spout Flow Restriction: Full Flow
 Hand Shower Flow Restriction: 1.8 GPM
 Water Pressure Maximum: 85 PSI
 Water Pressure Minimum: 20 PSI
 Water Pressure Recommended: 60 PSI

PRODUCT FEATURES

- Collection: Regent / Versailles
- Temperature Controlled By Handles
- Green Onyx - Lever Handle
- Hand Shower Hose Length: 59"

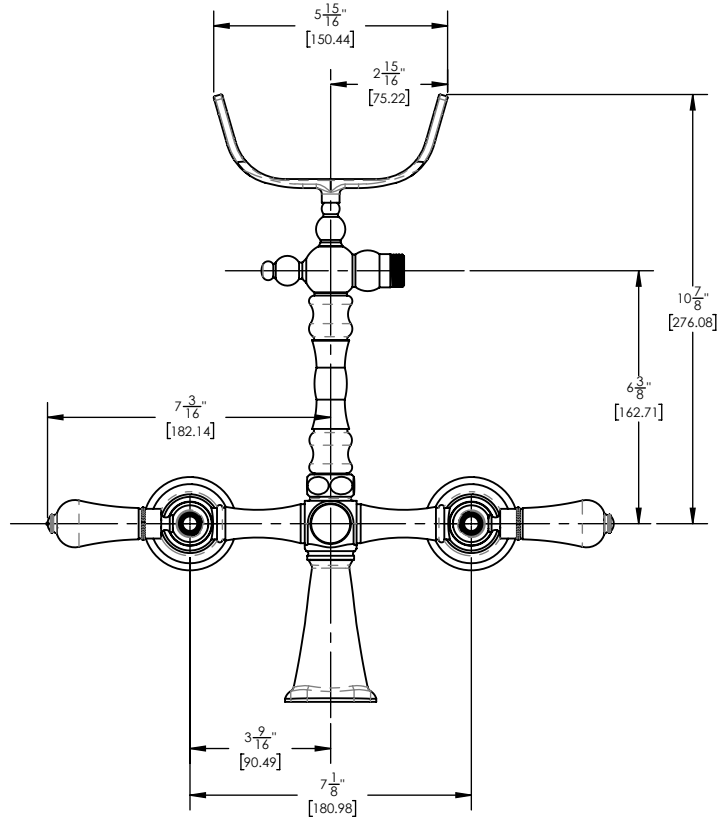
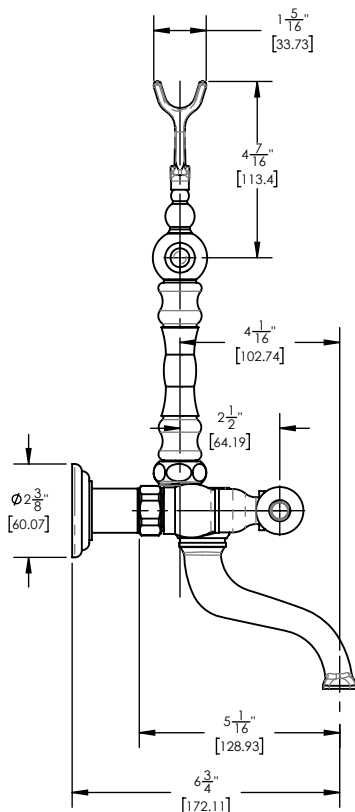
CODES & STANDARDS

ASME A112.181/ CSA B1251, ASME 112.18.2/ CSA B125.2, ANSI NSF, CEC



WARRANTY

Mechanical Warranty: 10 Years from date of purchase.
 finish warranty: see catalog for further information.



Regent / Versailles Exposed Tub and Hand Shower Set

K2393-34



TECHNICAL DETAILS

ADA Compliance: Yes
 Fitting Hole Diameter: 1 1/8"
 Number of Holes: Two Hole
 Number of Handles: Two
 Handle Turn Angle: Quarter Turn
 Spout Reach: 3 1/2"
 Installation Type: Wall Mounted
 Primary Material: Brass
 Valve Material: Ceramic
 Spout Flow Restriction: Full Flow
 Hand Shower Flow Restriction: 1.8 GPM
 Water Pressure Maximum: 85 PSI
 Water Pressure Minimum: 20 PSI
 Water Pressure Recommended: 60 PSI

PRODUCT FEATURES

- Collection: Regent / Versailles
- Temperature Controlled By Handles
- Black Onyx - Lever Handle
- Hand Shower Hose Length: 59"

CODES & STANDARDS

ASME A112.181/ CSA B1251, ASME 112.18.2/ CSA B125.2, ANSI NSF, CEC



WARRANTY

Mechanical Warranty: 10 Years from date of purchase.
 finish warranty: see catalog for further information.

