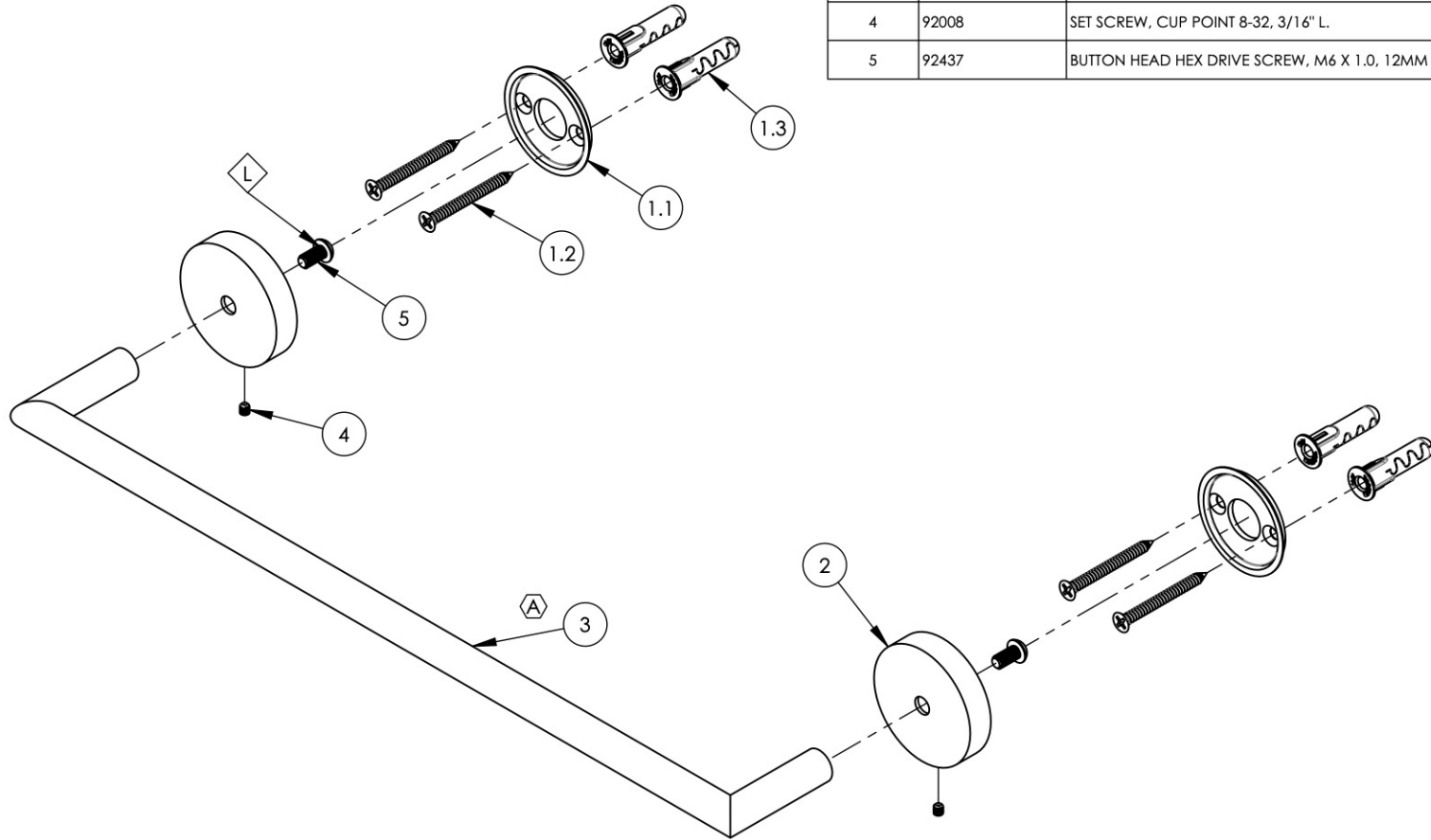


- NOTE(S):  
 1. PART NUMBER, "/00" DENOTES PART SHALL HAVE FINISH.  
 2. APPLY NSF COMPLIANT GREASE TO ANY O-RING, SEALING JOINTS, AND/OR PIVOTAL POINTS.  
 3. APPLY NSF COMPLIANT LOCTITE TO THREADED AREA.  
 4. APPLY NSF COMPLIANT REMOVABLE (BLUE) LOCTITE TO THREADED AREA.  
 5. SILVER SOLDER JOINTS SHALL BE FULLY WETTED VIA CAPILLARY ACTION AND COMPLETELY NON-POROUS.



| ITEM NO. | PART NUMBER | DESCRIPTION                                   | QTY. |
|----------|-------------|-----------------------------------------------|------|
| 1        | 2-098       | MOUNTING KIT FOR MIX/EDGE SERIES              | 2    |
| 1.1      | 30042       | WALL MOUNTING PLATE                           | 1    |
| 1.2      | 92043       | SCREW, FLAT HD #10 SIZE W/ #2 PHIL DRIVE, 2"L | 2    |
| 1.3      | 92046       | ANCHOR SCREW 3/8" HOLE, TOGGLER AF10          | 2    |
| 2        | 10639/00    | ESCUTCHEON, WALL MOUNT CONTEMP.               | 2    |
| 3        | 11982/00    | BAR, SMALL,                                   | 1    |
| 4        | 92008       | SET SCREW, CUP POINT 8-32, 3/16" L.           | 2    |
| 5        | 92437       | BUTTON HEAD HEX DRIVE SCREW, M6 X 1.0, 12MM L | 2    |



| ZONE      | REV. | DESCRIPTION            | DATE      | APPROVED |
|-----------|------|------------------------|-----------|----------|
| B4        | A    | UPDATE BAR C-C & WIDTH | 12/4/2020 | AMM      |
| REVISIONS |      |                        |           |          |

1261 LOGAN AVENUE  
 COSTA MESA, CALIFORNIA 92626  
 PHONE: 714.361.4800  
 FAX: 714.617.3120

**PHYLIRICH**<sup>®</sup>  
 Defining Luxury Since 1959

**PROPRIETARY AND CONFIDENTIAL**  
 THE INFORMATION CONTAINED IN THIS DRAWING IS THE SOLE PROPERTY OF PHYLIRICH. ANY REPRODUCTION IN PART OR AS A WHOLE WITHOUT THE WRITTEN PERMISSION OF PHYLIRICH IS PROHIBITED.

|                      |  |           |              |                                                                                                                                                                                       |           |  |
|----------------------|--|-----------|--------------|---------------------------------------------------------------------------------------------------------------------------------------------------------------------------------------|-----------|--|
| NEXT ASSY            |  | USED ON   |              | INTERPRET GEOMETRIC DIMENSIONING & TOLERANCING IN ACCORDANCE WITH ASME Y14.5-2009 & ASME Y14.41-2003 STANDARDS. UNLESS OTHERWISE SPECIFIED, DIMENSIONS ARE IN INCHES. TOLERANCES ARE: |           |  |
| APPLICATION          |  | FRACTIONS | DECIMALS     | ANGULAR                                                                                                                                                                               |           |  |
| MATERIAL             |  | ±1/16"    | X.X: ±.1     | ±2°                                                                                                                                                                                   |           |  |
| FINISH               |  |           | X.XX: ±.01   |                                                                                                                                                                                       |           |  |
| DO NOT SCALE DRAWING |  |           | X.XXX: ±.005 | NAME                                                                                                                                                                                  | DATE      |  |
|                      |  | CHECKED   |              | AMM                                                                                                                                                                                   | 12/5/2019 |  |

**TOWEL BAR, SMALL, TRANSITION**

|            |              |              |
|------------|--------------|--------------|
| SIZE       | ASM/PRT NO.  | REV          |
| <b>A</b>   | 120-70/00    | <b>A</b>     |
| SCALE: 1:3 | WEIGHT: lbs. | SHEET 1 OF 2 |