

29 7/8"

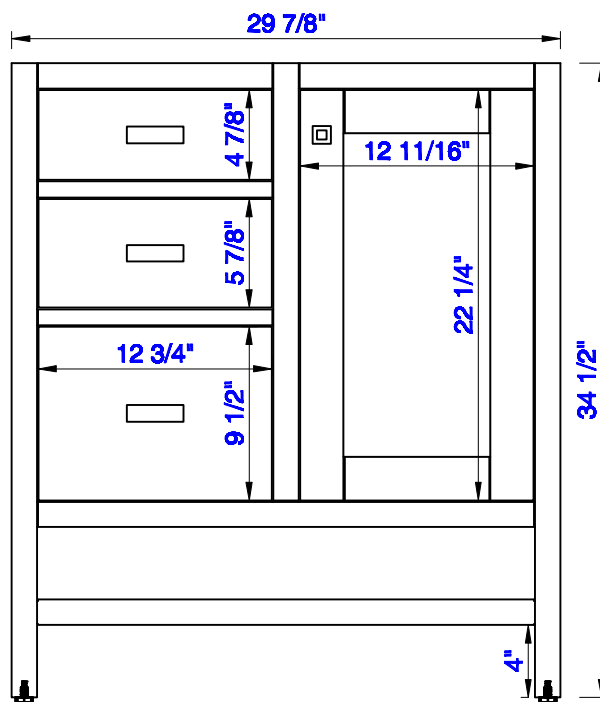
Item Number:
E444-V30-MCA

JAMES MARTIN



VANITIES™

Addison 29 7/8" Single Cabinet
Diagrams with Dimensions
page 01 of 03



NOTE ONE: Countertops are not shown in these diagrams. (Cabinet Only)

NOTE TWO: This vanity does not have a Backsplash.

Please consult our website for Countertop Diagrams: www.jamesmartinvanities.com

Version:202004

29 7/8"

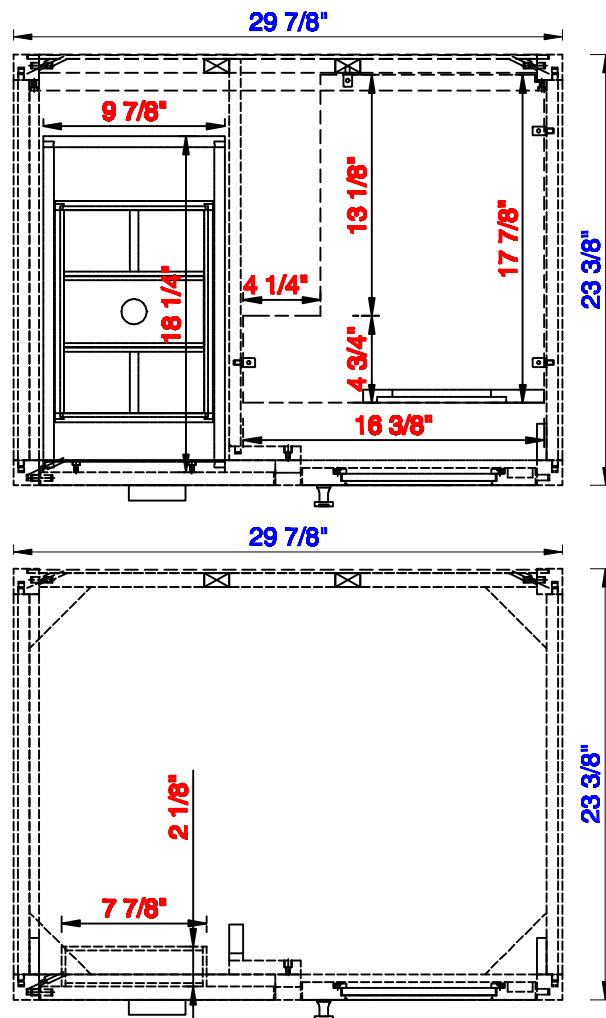
Item Number:
E444-V30-MCA

JAMES MARTIN



VANITIES™

Addison 29 7/8" Single Cabinet
Diagrams with Dimensions
page 02 of 03



NOTE ONE: Countertops are not shown in these diagrams. (Cabinet Only)

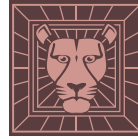
NOTE TWO: Internal Shelves (Shown) are designed to align with sinks in James Martin's Optional Countertops. Customer's own countertops and sinks may align differently, and modification may be required. Please consult our website for Countertop Diagrams: www.jamesmartinvanities.com

Version:202004

29 7/8"

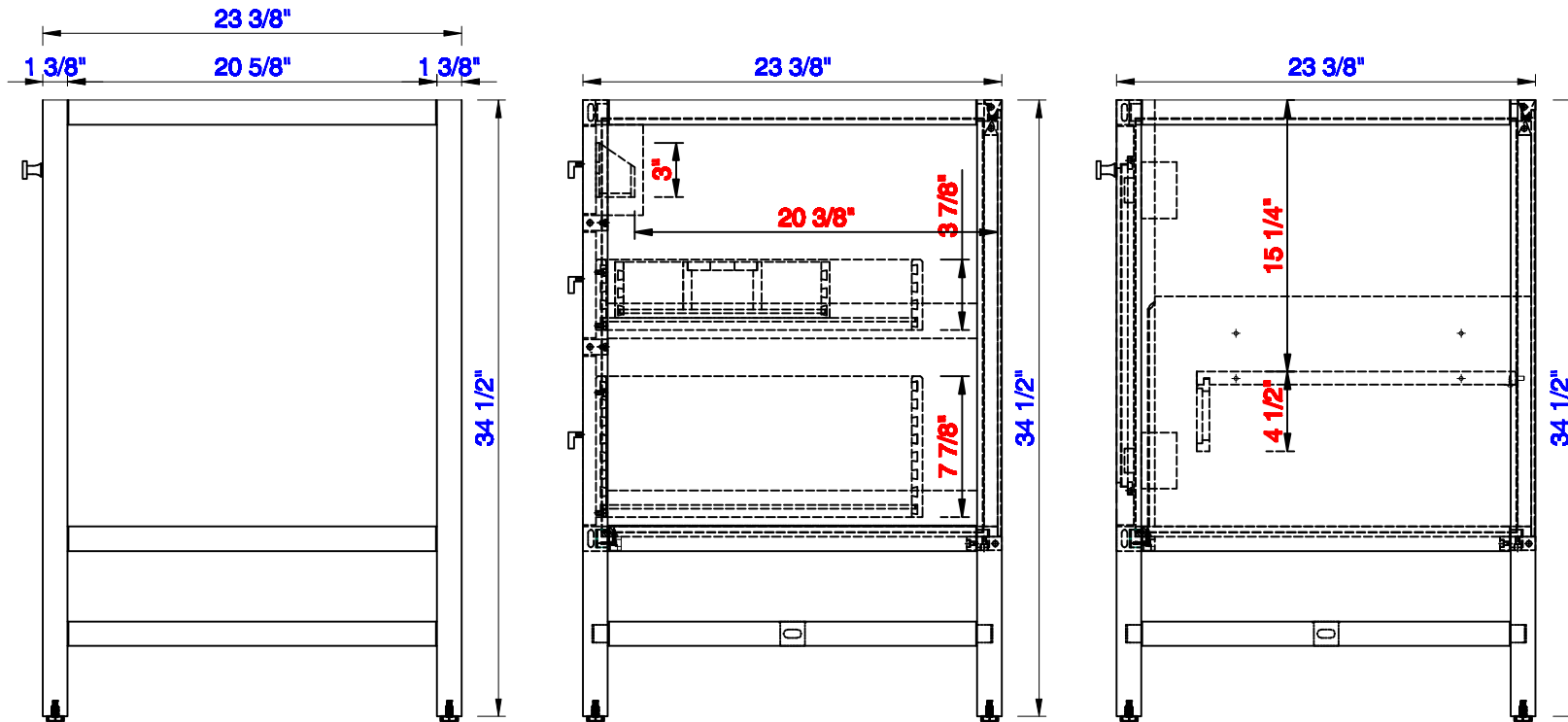
Item Number:
E444-V30-MCA

JAMES MARTIN



VANITIES™

Addison 29 7/8" Single Cabinet
Diagrams with Dimensions
page 03 of 03



NOTE ONE: Countertops are not shown in these diagrams. (Cabinet Only)

NOTE TWO: This vanity does not have a Backsplash.

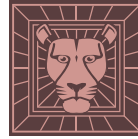
Please consult our website for Countertop Diagrams: www.jamesmartinvanities.com

Version:202004

758mm

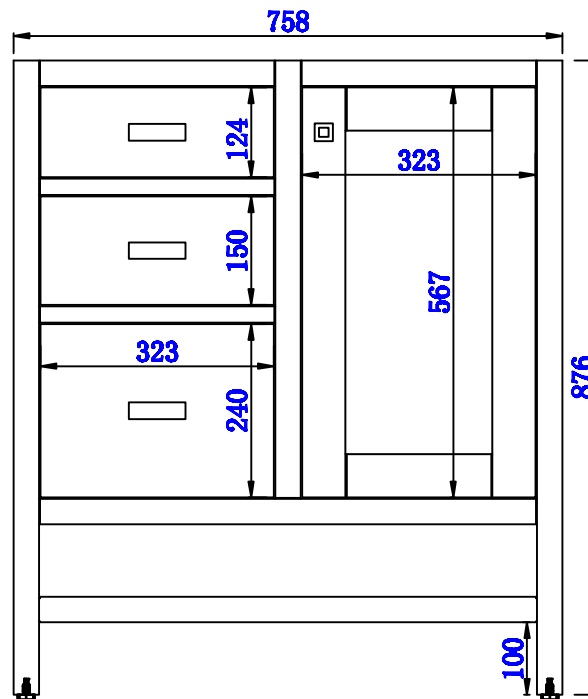
Item Number:
E444-V30-MCA

JAMES MARTIN



VANITIES™

Addison 758mm Single Cabinet
Diagrams with Dimensions
page 01 of 03



NOTE ONE: Countertops are not shown in these diagrams. (Cabinet Only)

NOTE TWO: This vanity does not have a Backsplash.

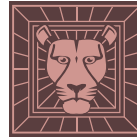
Please consult our website for Countertop Diagrams: www.jamesmartinvanities.com

Version:202004

758mm

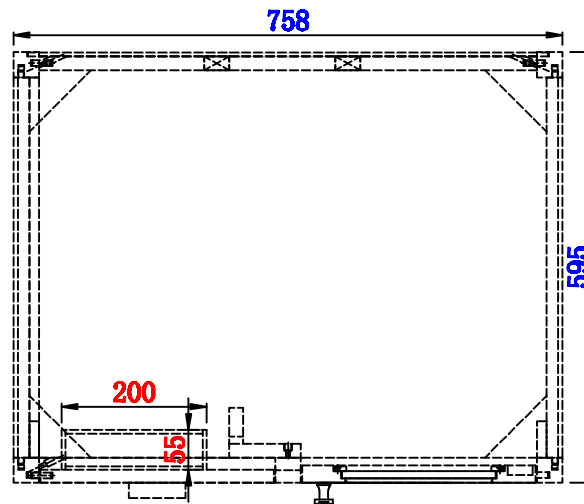
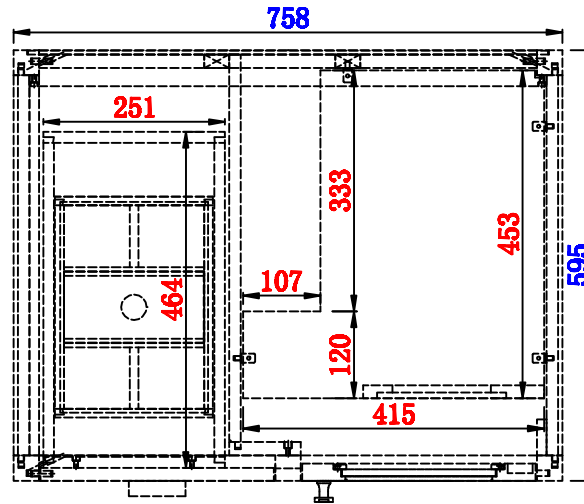
Item Number:
E444-V30-MCA

JAMES MARTIN



VANITIES™

Addison 758mm Single Cabinet
Diagrams with Dimensions
page 02 of 03



NOTE ONE: Countertops are not shown in these diagrams. (Cabinet Only)

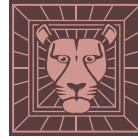
NOTE TWO: Internal Shelves (Shown) are designed to align with sinks in James Martin's Optional Countertops. Customer's own countertops and sinks may align differently, and modification may be required. Please consult our website for Countertop Diagrams: www.jamesmartinvanities.com

Version:202004

758mm

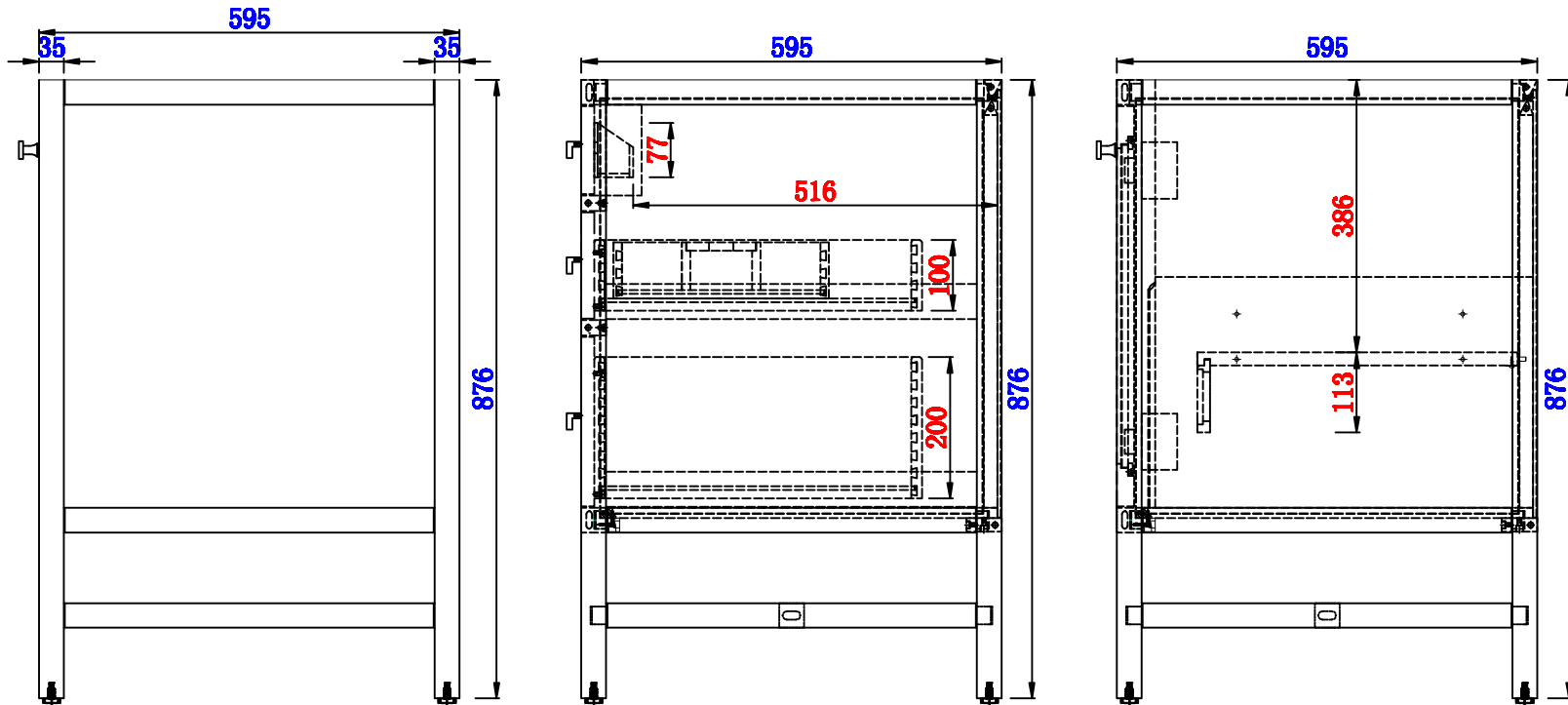
Item Number:
E444-V30-MCA

JAMES MARTIN



VANITIES™

Addison 758mm Single Cabinet
Diagrams with Dimensions
page 03 of 03



NOTE ONE: Countertops are not shown in these diagrams. (Cabinet Only)

NOTE TWO: This vanity does not have a Backsplash.

Please consult our website for Countertop Diagrams: www.jamesmartinvanities.com

Version:202004

15"

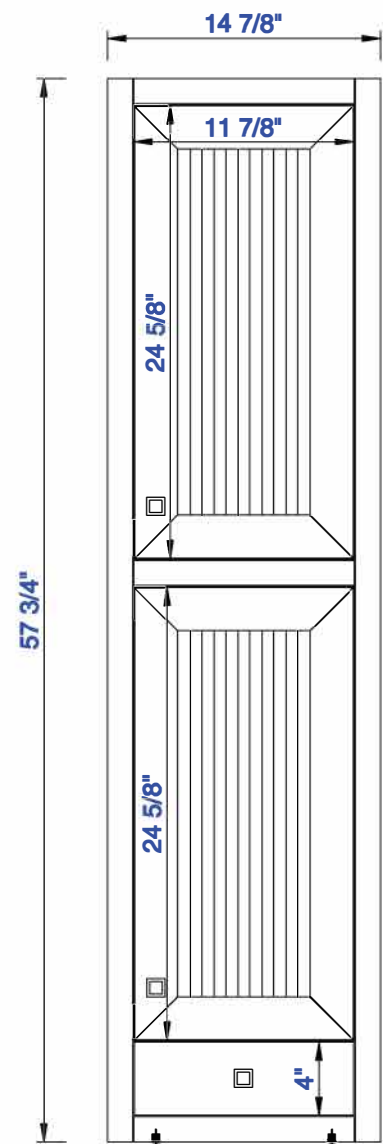
Item Number:
E645-H15R-MCA
E645-H15R-GW

JAMES MARTIN



VANITIES™

Athens 15" Tower Hutch - Right
Diagrams with Dimensions
page 01 of 03



15"

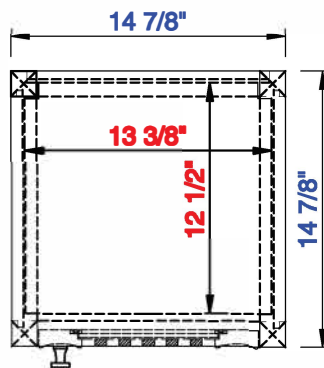
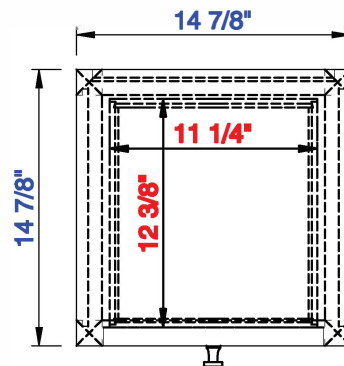
Item Number:
E645-H15R-MCA
E645-H15R-GW

JAMES MARTIN



VANITIES™

Athens 15" Tower Hutch - Right
Diagrams with Dimensions
page 02 of 03



15"

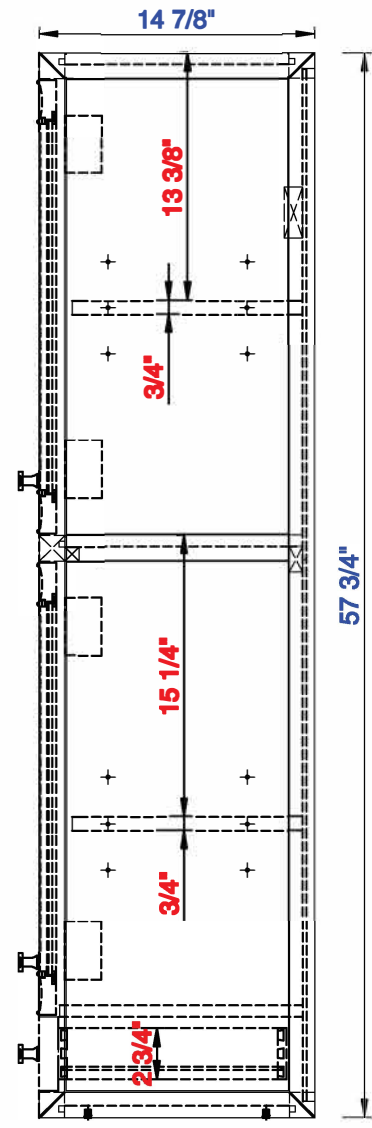
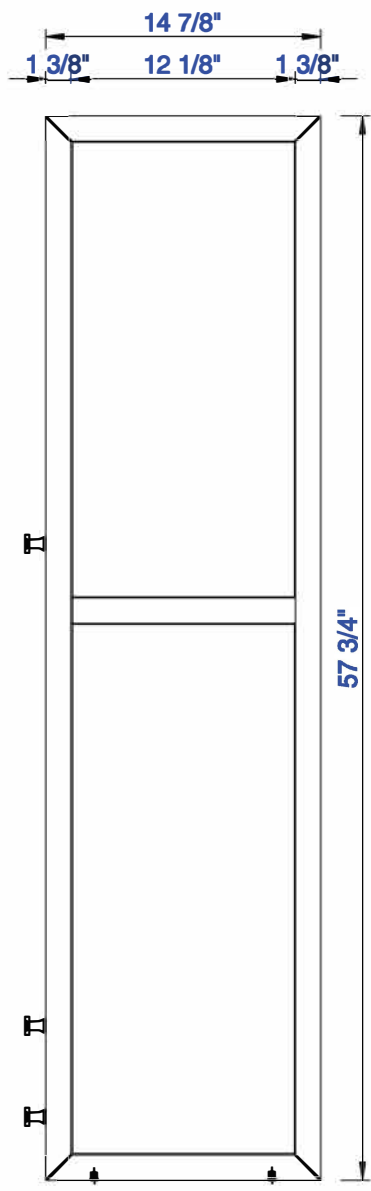
Item Number:
E645-H15R-MCA
E645-H15R-GW

JAMES MARTIN



VANITIES™

Athens 15" Tower Hutch - Right
Diagrams with Dimensions
page 03 of 03



381mm

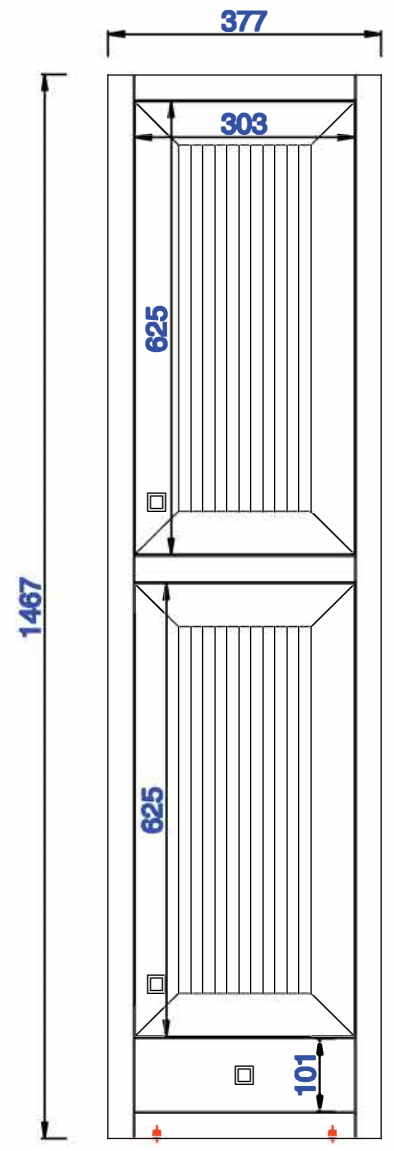
Item Number:
E645-H15R-MCA
E645-H15R-GW

JAMES MARTIN



VANITIES™

Athens 381mm Tower Hutch - Right
Diagrams with Dimensions
page 01 of 03



381mm

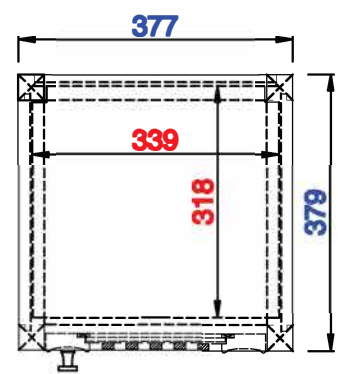
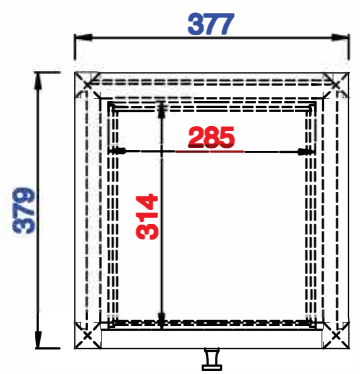
Item Number:
E645-H15R-MCA
E645-H15R-GW

JAMES MARTIN



VANITIES™

Athens 381mm Tower Hutch - Right
Diagrams with Dimensions
page 02 of 03



381mm

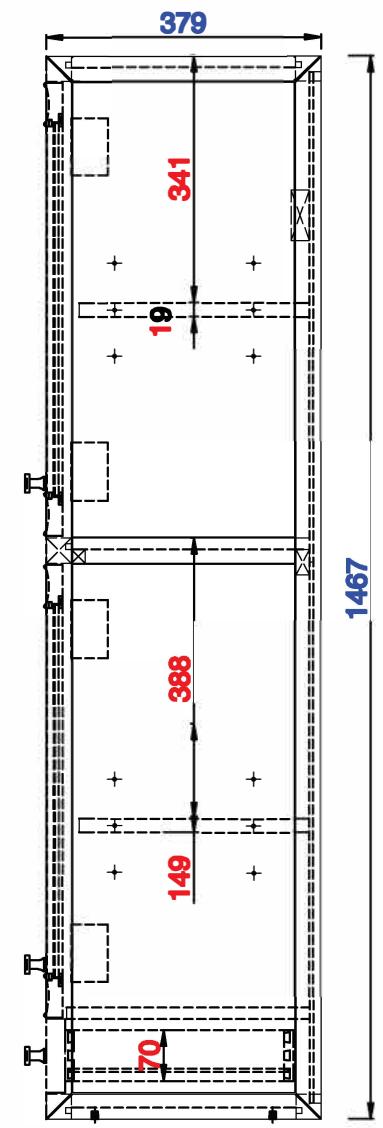
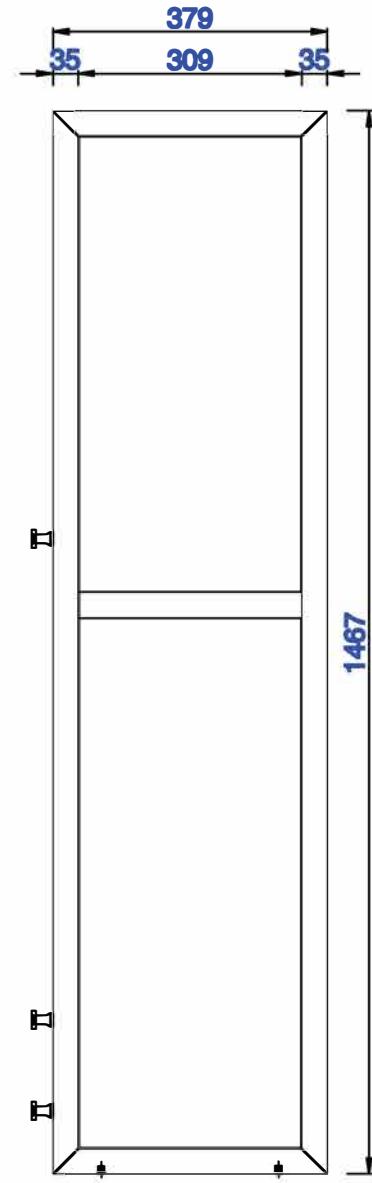
Item Number:
E645-H15R-MCA
E645-H15R-GW

JAMES MARTIN



VANITIES™

Athens 381mm Tower Hutch - Right
Diagrams with Dimensions
page 03 of 03



30"

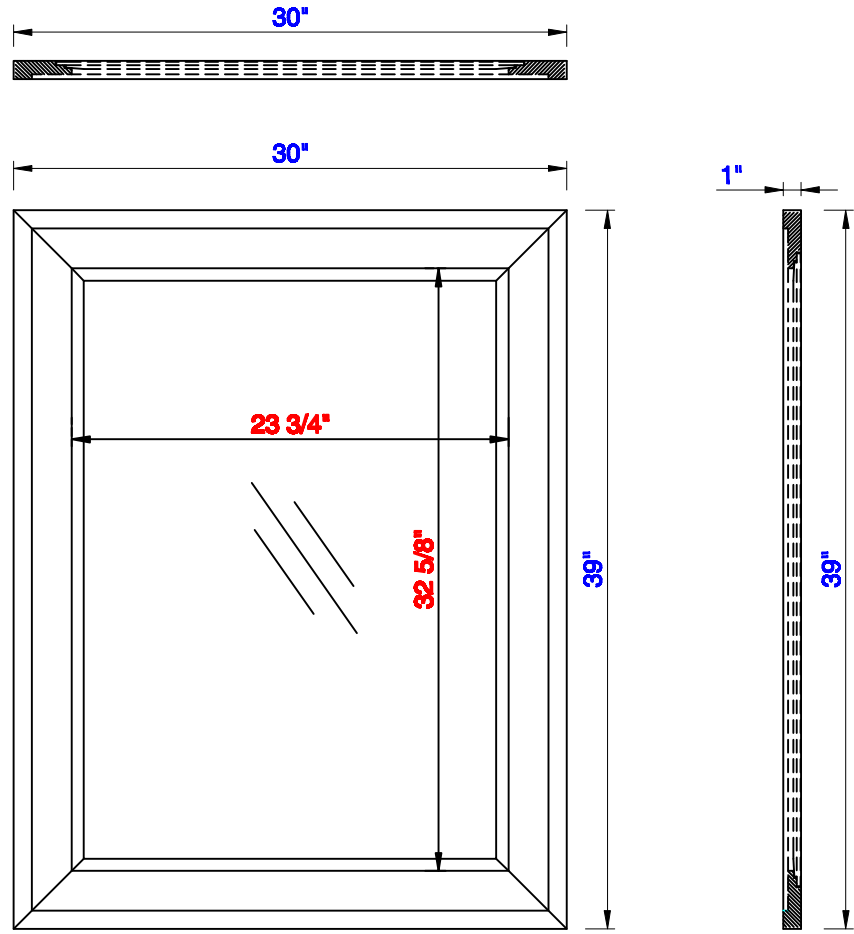
Item Number:
E444-M30-MCA

JAMES MARTIN



VANITIES™

Addison 30" Mirror
Diagrams with Dimensions
page 01 of 01



762mm

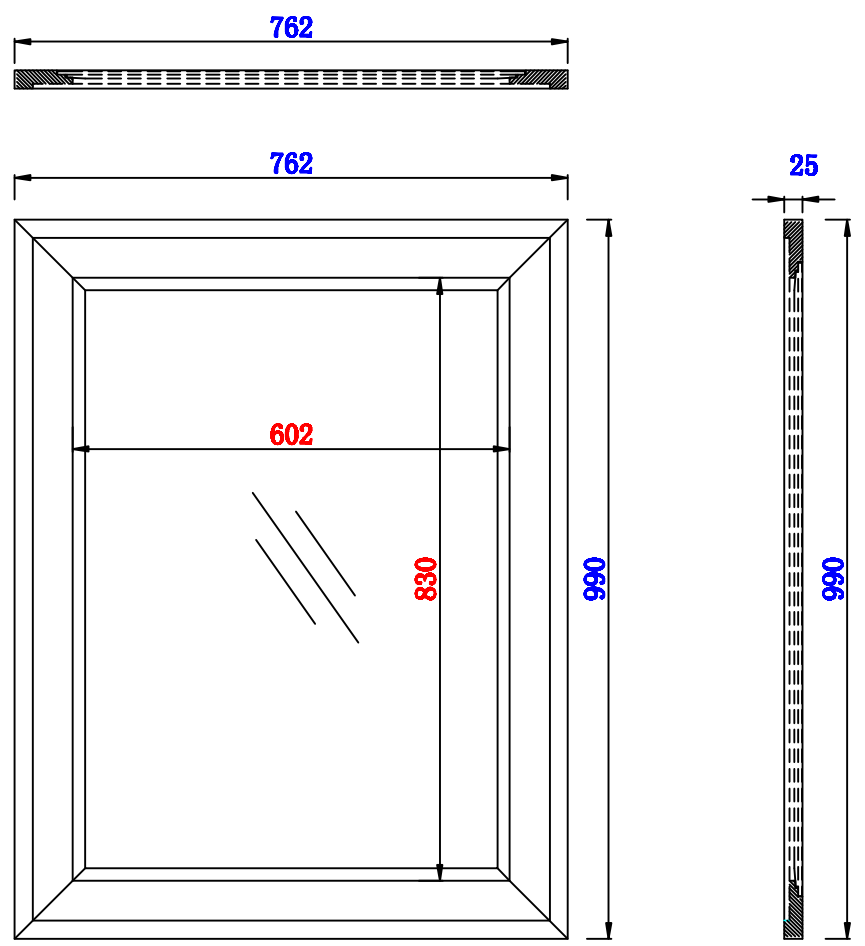
Item Number:
E444-M30-MCA

JAMES MARTIN



VANITIES™

Addison 762mm Mirror
Diagrams with Dimensions
page 01 of 01

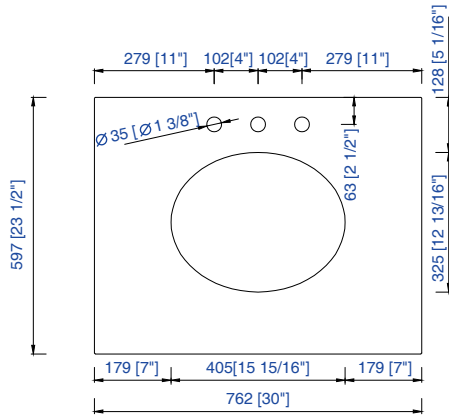




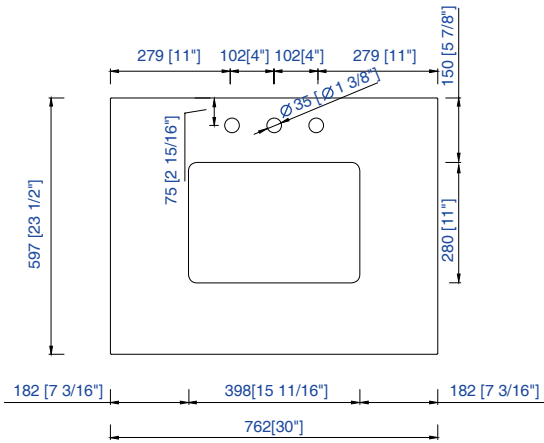
30" Vanity Top Spec Sheet

James Martin Vanities Company always recommends you consult and/or hire a professional contractor when installing your vanity cabinet and top.

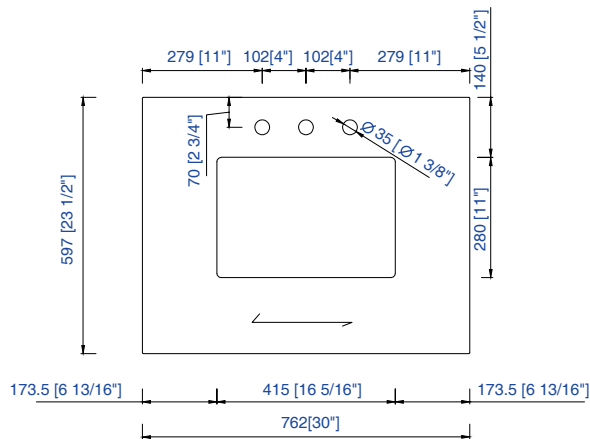
3cm/1.18"
Countertop



James Martin - Natural Stone Countertop Measurement Specification



James Martin - Natural Stone & Solid Surface Countertop Measurement Specification



James Martin - Quartz Countertop Measurement Specification

15"

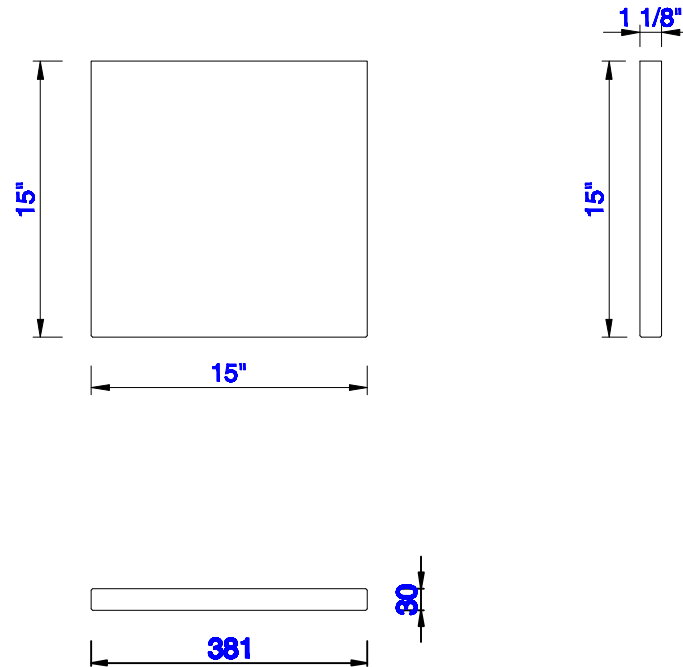
Item Number:
050-T15-CLW
050-T15-CSP
050-T15-EJP
050-T15-GEX
080-T15-AF
090-T15-CAR

JAMES MARTIN



VANITIES™

15" Top for Makeup Counter
Diagrams with Dimensions
page 01 of 01



381mm

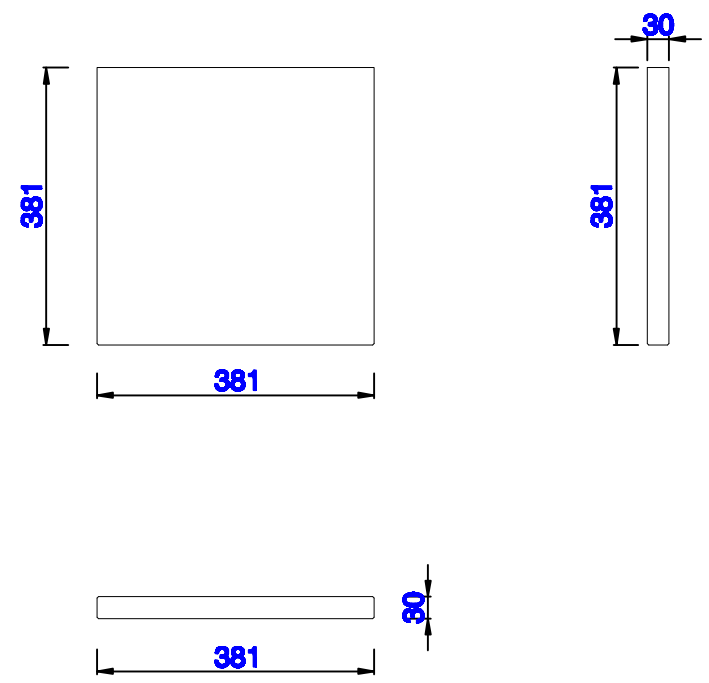
Item Number:
050-T15-CLW
050-T15-CSP
050-T15-EJP
050-T15-GEX
080-T15-AF
090-T15-CAR

JAMES MARTIN



VANITIES™

381mm Top for Makeup Counter
Diagrams with Dimensions
page 01 of 01

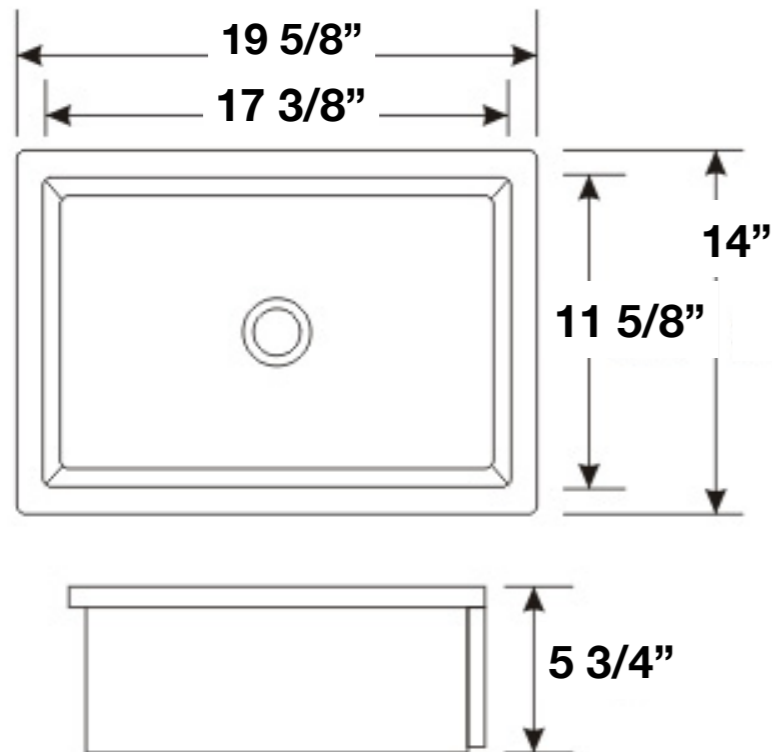




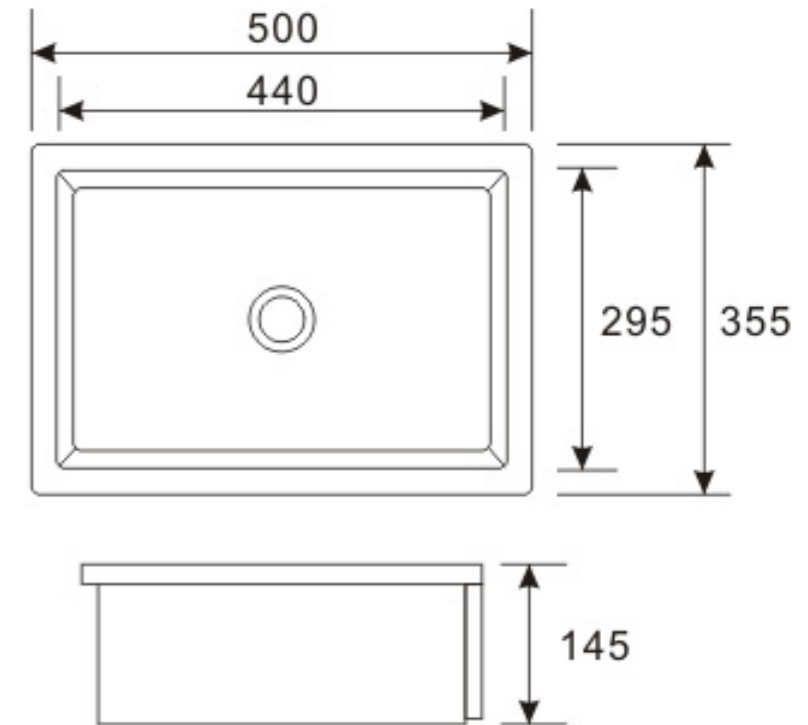
James Martin Vanities - Nova Rectangular Undermount Sink (Basin) **SNK-RCT-WHT**

Used with 3cm thickness premium rectangular countertops:
Silestone Quartz

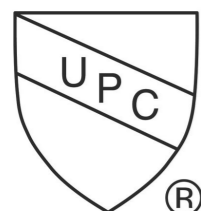
Imperial Measurements



Metric Measurements

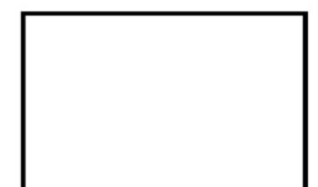


OD Size: 500 x 355 x 145 mm
 19 5/8" x 14" x 5 6/8"
 ID Size: 440 x 295 mm
 17 3/8" x 11 5/8"



Complies with:
 ASME A112.19.2-2013
 CSA B45.1-13

white



2018 Rv.