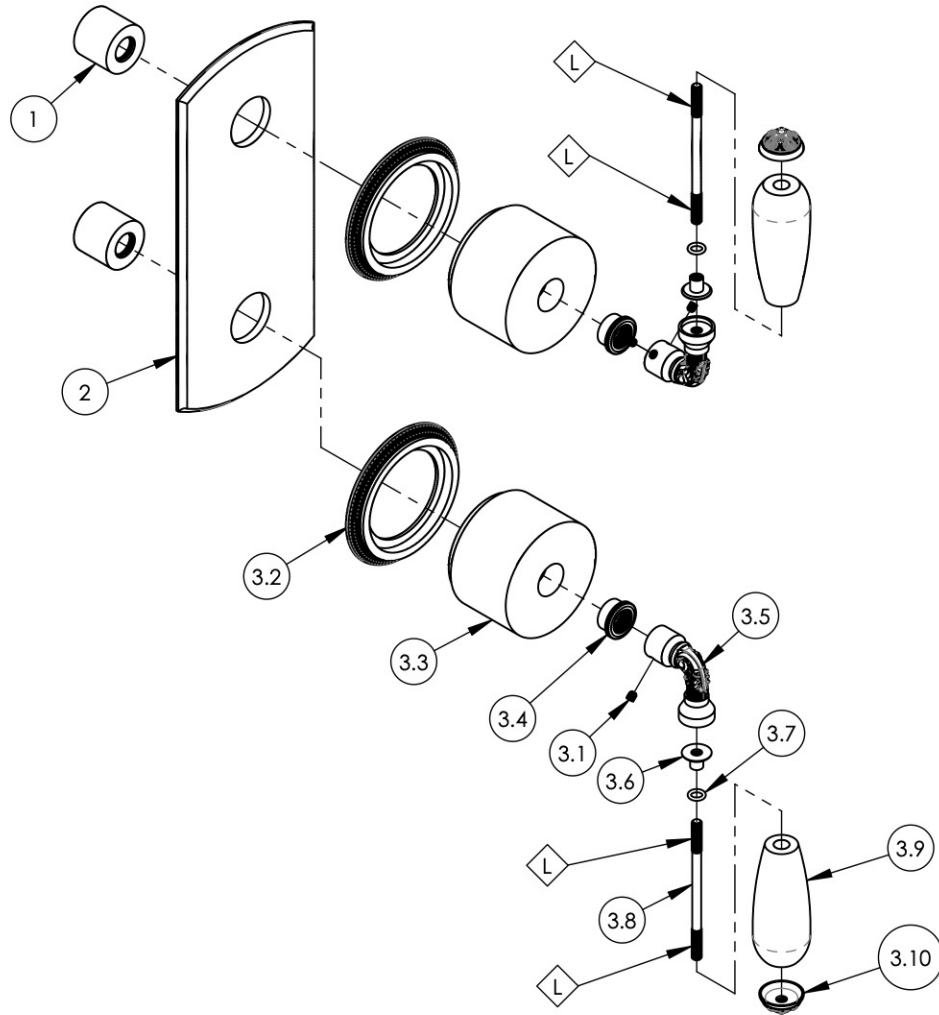


NOTE(S):
 1. PART NUMBER, "/00" DENOTES PART SHALL HAVE FINISH.
 2. APPLY NSF COMPLIANT LOCTITE TO THREADED AREA.



ITEM NO.	PART NUMBER	DESCRIPTION	QTY.
1	11087	SLEEVE FOR PB-THERM PLATE	2
2	11202/00	PLATE, TWO HANDLE BEVELED EDGE	1
3	3-457B/00	HANDLE, LEVER, WHITE MARBLE, VALENCIA	2
3.1	92008	SET SCREW, CUP POINT 8-32, 3/16" L.	2
3.2	P02016/00	ESCUTCHEON, K211 BOTTOM PLATE	1
3.3	K338BX2B	WHITE MARBLE INSERT	1
3.4	P02021/00	K261 COVER PLATE NUT	1
3.5	P01117/00	K211 HUB	1
3.6	P01040	K211 HANDLE STOPPER	1
3.7	90010	O-RING, 1/4"ID X 3/8"OD X 1/16"THK, AS-568-010	1
3.8	P01035	THREADED ROD FOR HANDLE 12-24, 3.5"L	1
3.9	K338BX1A	WHITE MARBLE LEVER	1
3.10	P01023/00	K211 END CAP FOR HANDLE	1

ZONE	REV.	DESCRIPTION	DATE	APPROVED
REVISIONS				

1261 LOGAN AVENUE
 COSTA MESA, CALIFORNIA 92626
 PHONE: 714.361.4800
 FAX: 714.617.3120

PHYLIRICH[®]
 Defining Luxury Since 1959

PROPRIETARY AND CONFIDENTIAL
 THE INFORMATION CONTAINED IN THIS DRAWING IS THE SOLE PROPERTY OF PHYLIRICH. ANY REPRODUCTION IN PART OR AS A WHOLE WITHOUT THE WRITTEN PERMISSION OF PHYLIRICH IS PROHIBITED.

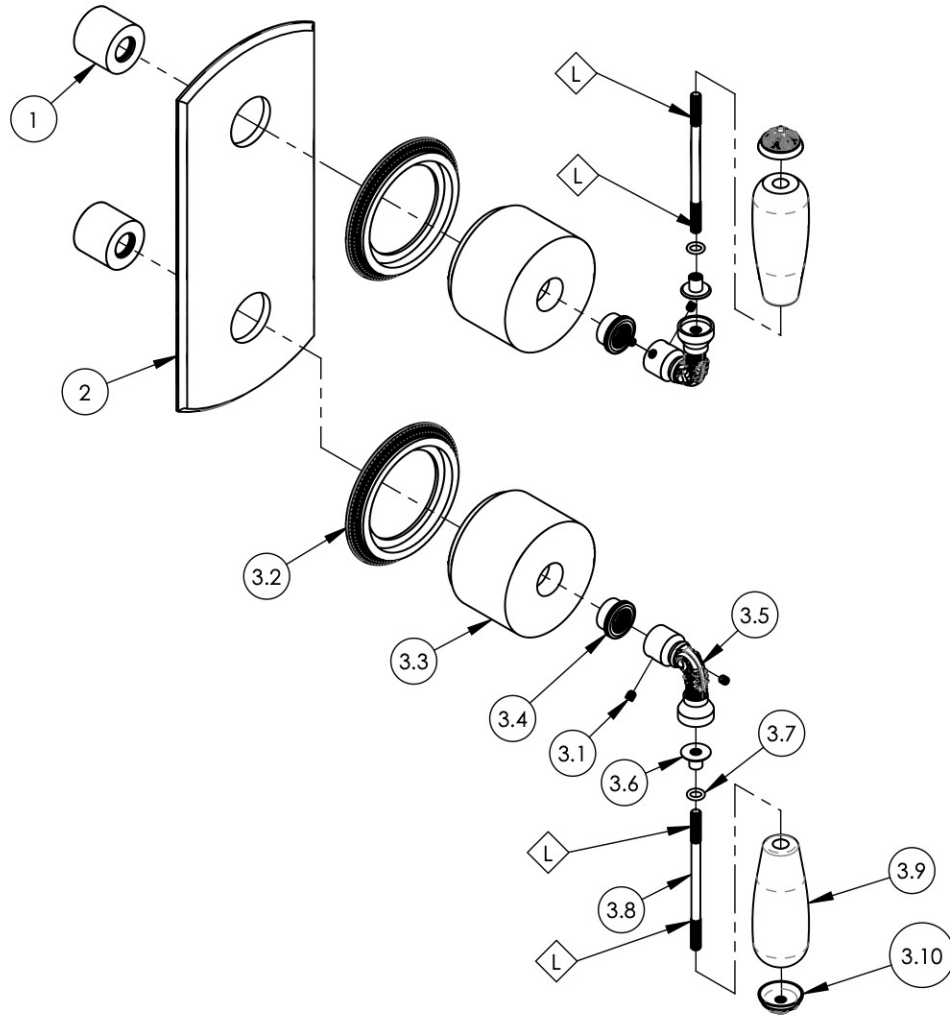
-	-	INTERPRET GEOMETRIC DIMENSIONING & TOLERANCING IN ACCORDANCE WITH ASME Y14.5-2009 & ASME Y14.41-2003 STANDARDS, UNLESS OTHERWISE SPECIFIED. DIMENSIONS ARE IN INCHES. TOLERANCES ARE:		
NEXT ASSY	USED ON	FRACTIONS ±1/16"	DECIMALS X.X: ±.1 X.XX: ±.01 X.XXX: ±.005	ANGULAR ±2°
APPLICATION		MATERIAL	NAME	DATE
FINISH		DRAWN	AMM	6/23/2020
DO NOT SCALE DRAWING		CHECKED		

1/2" MINI THERM VALVE W/ VOLUME CONTROL OR DIVERTER, WHITE MARBLE, LEVER, VALENCIA

SIZE	ASM/PRT NO.	REV
A	4-453B/00	-

SCALE: 1:4 WEIGHT: lbs. SHEET 1 OF 2

NOTE(S):
 1. PART NUMBER, "/00" DENOTES PART SHALL HAVE FINISH.
 2. APPLY NSF COMPLIANT LOCTITE TO THREADED AREA.



ITEM NO.	PART NUMBER	DESCRIPTION	QTY.
1	11087	SLEEVE FOR PB-THERM PLATE	2
2	11202/00	PLATE, TWO HANDLE BEVELED EDGE	1
3	3-457C/00	HANDLE, LEVER, BLACK MARBLE, VALENCIA	2
3.1	92008	SET SCREW, CUP POINT 8-32, 3/16" L.	2
3.2	P02016/00	ESCUTCHEON, K211 BOTTOM PLATE	1
3.3	K338CX2B	BLACK MARBLE INSERT	1
3.4	P02021/00	K261 COVER PLATE NUT	1
3.5	P01117/00	K211 HUB	1
3.6	P01040	K211 HANDLE STOPPER	1
3.7	90010	O-RING, 1/4"ID X 3/8"OD X 1/16"THK, AS-568-010	1
3.8	P01035	THREADED ROD FOR HANDLE 12-24, 3.5"L	1
3.9	K338CX1A	K338C BLACK MARBLE LEVER	1
3.10	P01023/00	K211 END CAP FOR HANDLE	1

ZONE	REV.	DESCRIPTION	DATE	APPROVED
REVISIONS				

1261 LOGAN AVENUE
 COSTA MESA, CALIFORNIA 92626
 PHONE: 714.361.4800
 FAX: 714.617.3120

PHYLIRICH[®]
 Defining Luxury Since 1959

PROPRIETARY AND CONFIDENTIAL
 THE INFORMATION CONTAINED IN THIS DRAWING IS THE SOLE PROPERTY OF PHYLIRICH. ANY REPRODUCTION IN PART OR AS A WHOLE WITHOUT THE WRITTEN PERMISSION OF PHYLIRICH IS PROHIBITED.

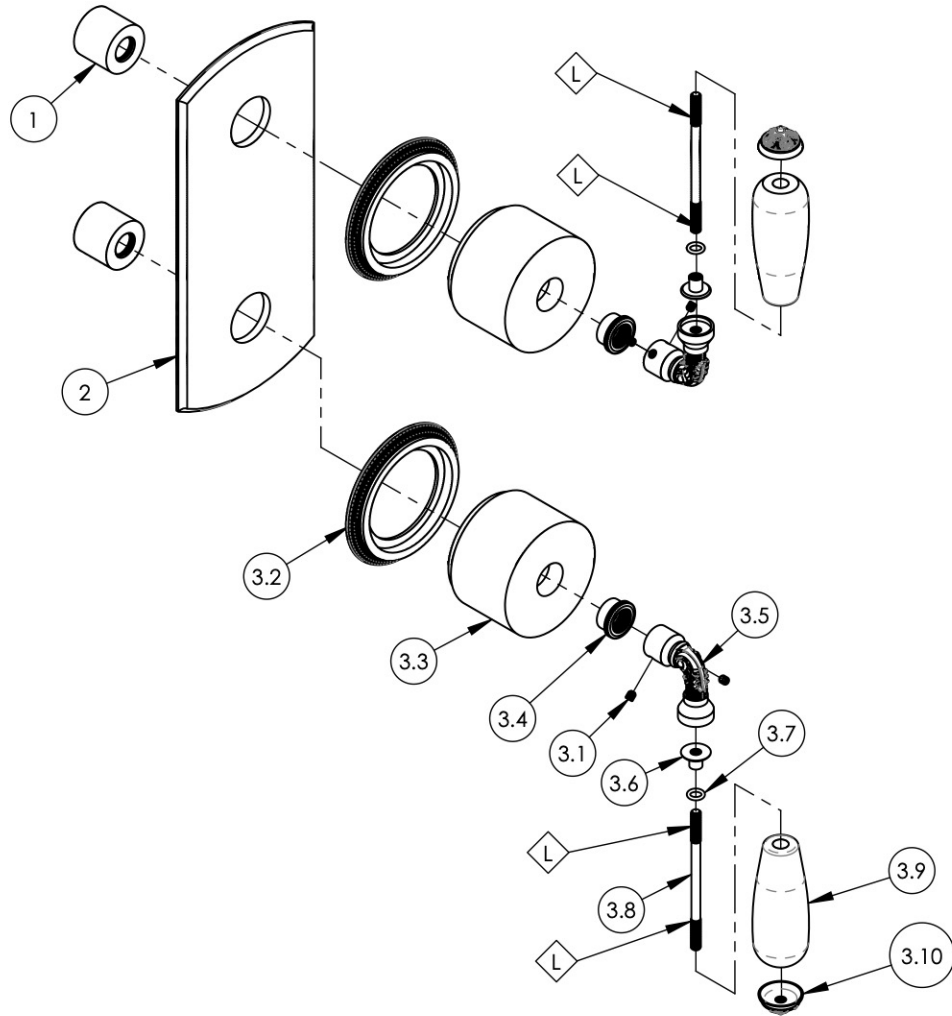
-	-	INTERPRET GEOMETRIC DIMENSIONING & TOLERANCING IN ACCORDANCE WITH ASME Y14.5-2009 & ASME Y14.41-2003 STANDARDS, UNLESS OTHERWISE SPECIFIED. DIMENSIONS ARE IN INCHES. TOLERANCES ARE:		
NEXT ASSY	USED ON	FRACTIONS ±1/16"	DECIMALS X.X: ±.1 X.XX: ±.01 X.XXX: ±.005	ANGULAR ±2°
APPLICATION		MATERIAL	NAME	DATE
FINISH		DRAWN	AMM	6/23/2020
DO NOT SCALE DRAWING		CHECKED		

1/2" MINI THERM VALVE W/ VOLUME CONTROL OR DIVERTER, BLACK MARBLE, LEVER, VALENCIA

SIZE	ASM/PRT NO.	REV
A	4-453C/00	-

SCALE: 1:4 WEIGHT: lbs. SHEET 1 OF 2

NOTE(S):
 1. PART NUMBER, "/00" DENOTES PART SHALL HAVE FINISH.
 2. APPLY NSF COMPLIANT LOCTITE TO THREADED AREA.



ITEM NO.	PART NUMBER	DESCRIPTION	QTY.
1	11087	SLEEVE FOR PB-THERM PLATE	2
2	11202/00	PLATE, TWO HANDLE BEVELED EDGE	1
3	3-457D/00	HANDLE, LEVER, BEIGE MARBLE, VALENCIA	2
3.1	92008	SET SCREW, CUP POINT 8-32, 3/16" L.	2
3.2	P02016/00	ESCUTCHEON, K211 BOTTOM PLATE	1
3.3	K338DX2B	BEIGE MARBLE INSERT	1
3.4	P02021/00	K261 COVER PLATE NUT	1
3.5	P01117/00	K211 HUB	1
3.6	P01040	K211 HANDLE STOPPER	1
3.7	90010	O-RING, 1/4"ID X 3/8"OD X 1/16"THK, AS-568-010	1
3.8	P01035	THREADED ROD FOR HANDLE 12-24, 3.5"L	1
3.9	K338DX1A	K338D BEIGE MARBLE LEVER	1
3.10	P01023/00	K211 END CAP FOR HANDLE	1

ZONE	REV.	DESCRIPTION	DATE	APPROVED
REVISIONS				

1261 LOGAN AVENUE
 COSTA MESA, CALIFORNIA 92626
 PHONE: 714.361.4800
 FAX: 714.617.3120

PHYLIRICH[®]
 Defining Luxury Since 1959

PROPRIETARY AND CONFIDENTIAL
 THE INFORMATION CONTAINED IN THIS DRAWING IS THE SOLE PROPERTY OF PHYLIRICH. ANY REPRODUCTION IN PART OR AS A WHOLE WITHOUT THE WRITTEN PERMISSION OF PHYLIRICH IS PROHIBITED.

-	-	INTERPRET GEOMETRIC DIMENSIONING & TOLERANCING IN ACCORDANCE WITH ASME Y14.5-2009 & ASME Y14.41-2003 STANDARDS, UNLESS OTHERWISE SPECIFIED. DIMENSIONS ARE IN INCHES. TOLERANCES ARE:		
NEXT ASSY	USED ON	FRACTIONS ±1/16"	DECIMALS X.X: ±.1 X.XX: ±.01 X.XXX: ±.005	ANGULAR ±2°
APPLICATION		MATERIAL	NAME	DATE
FINISH		DRAWN	AMM	6/23/2020
DO NOT SCALE DRAWING		CHECKED		

1/2" MINI THERM VALVE W/ VOLUME CONTROL OR DIVERTER, BEIGE MARBLE, LEVER, VALENCIA

SIZE	ASM/PRT NO.	REV
A	4-453D/00	-

SCALE: 1:4 WEIGHT: lbs. SHEET 1 OF 2