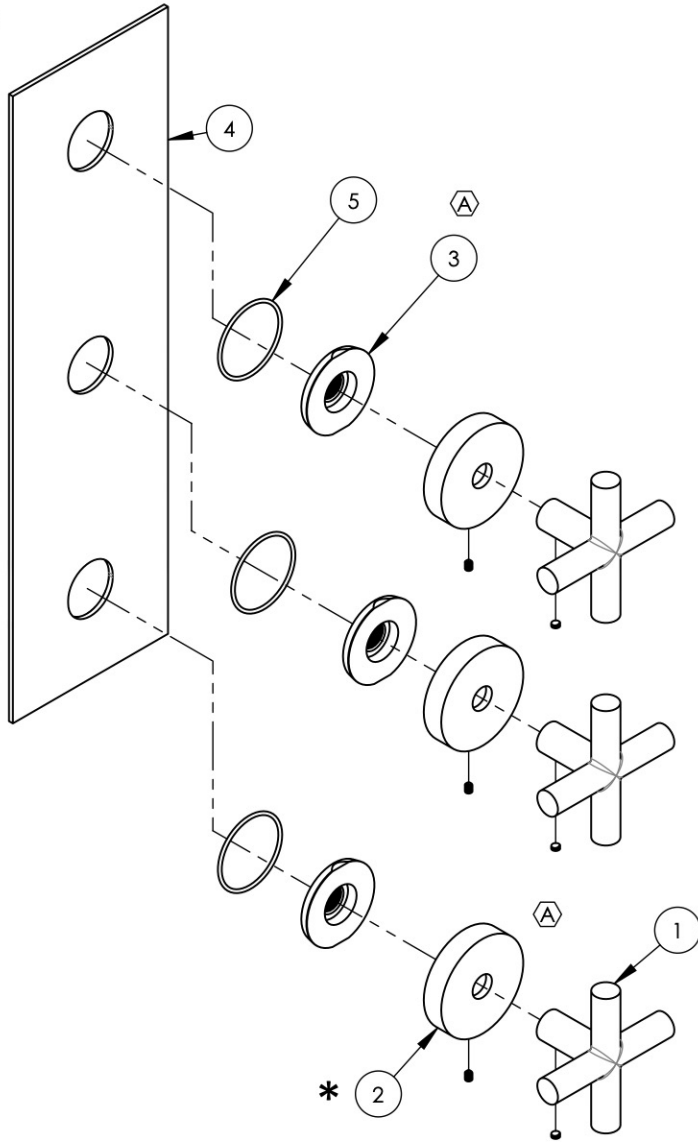


NOTE(S):

1. FOR DEEPER ESCUTCHEON:

- A. 3-353/00
- B. 92401



ITEM NO.	PART NUMBER	DESCRIPTION	QTY.
1	3-580/00	HANDLE CROSS W/ SET SCREW, TRANSITION	3
*	2	3-590/00	ESCUTCHEON W/ SET SCREW, TRANSITION
3	11003	SLEEVE MOUNT, WALL MT WIDESPREAD	3
4	11933/00	TRIM PLATE, 3 HOLE, TRANSITION	1
5	90029	O-RING, 1-5/8"ID X 1-3/4"OD X 1/16"THK, AS-568-029	3

ZONE	REV.	DESCRIPTION	DATE	APPROVED
D3, B3, E5	A	UPDATE SLEEVE MOUNT & ESCUTCHEON HUBS, ADD NOTES	3/13/2020	AMM
REVISIONS				

1261 LOGAN AVENUE  
COSTA MESA, CALIFORNIA 92626  
PHONE: 714.361.4800  
FAX: 714.617.3120

**PHYL RICH**<sup>®</sup>  
Defining Luxury Since 1959

**PROPRIETARY AND CONFIDENTIAL**  
THE INFORMATION CONTAINED IN THIS DRAWING IS THE SOLE PROPERTY OF PHYL RICH. ANY REPRODUCTION IN PART OR AS A WHOLE WITHOUT THE WRITTEN PERMISSION OF PHYL RICH IS PROHIBITED.

NEXT ASSY		USED ON		INTERPRET GEOMETRIC DIMENSIONING & TOLERANCING IN ACCORDANCE WITH ASME Y14.5-2009 & ASME Y14.41-2003 STANDARDS, UNLESS OTHERWISE SPECIFIED. DIMENSIONS ARE IN INCHES. TOLERANCES ARE:		
APPLICATION		FRACTIONS	DECIMALS	ANGULAR		
MATERIAL		±1/16"	X.X: ±.1	±2°		
FINISH			X.XX: ±.01			
DO NOT SCALE DRAWING			X.XXX: ±.005	NAME	DATE	
		CHECKED		AMM	12/5/2019	

**THERM, SHOWER TRIM, 3 HANDLE - CROSS, TRANSITION**

SIZE	ASM/PRT NO.	REV
<b>A</b>	4-029/00	A
SCALE: 1:3.5	WEIGHT: lbs.	SHEET 1 OF 2