

AXOR Universal Circular

Tissue box

Surfaces: **Chrome** Article Number: **42873000**



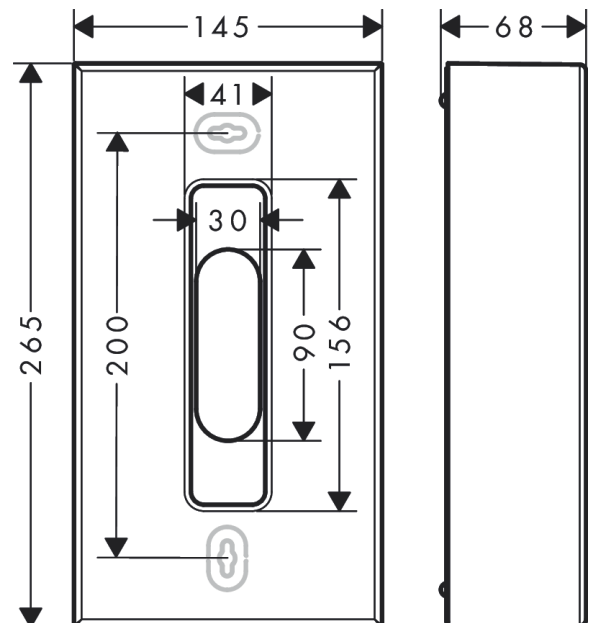
product features

- wall-mounted
- screw fastening
- material: metal, plastic
- with mounting material
- concealed fastening
- drilling distance 200 mm
- diameter drill hole: 6 mm

Product image



Scale drawing



AXOR Universal Circular

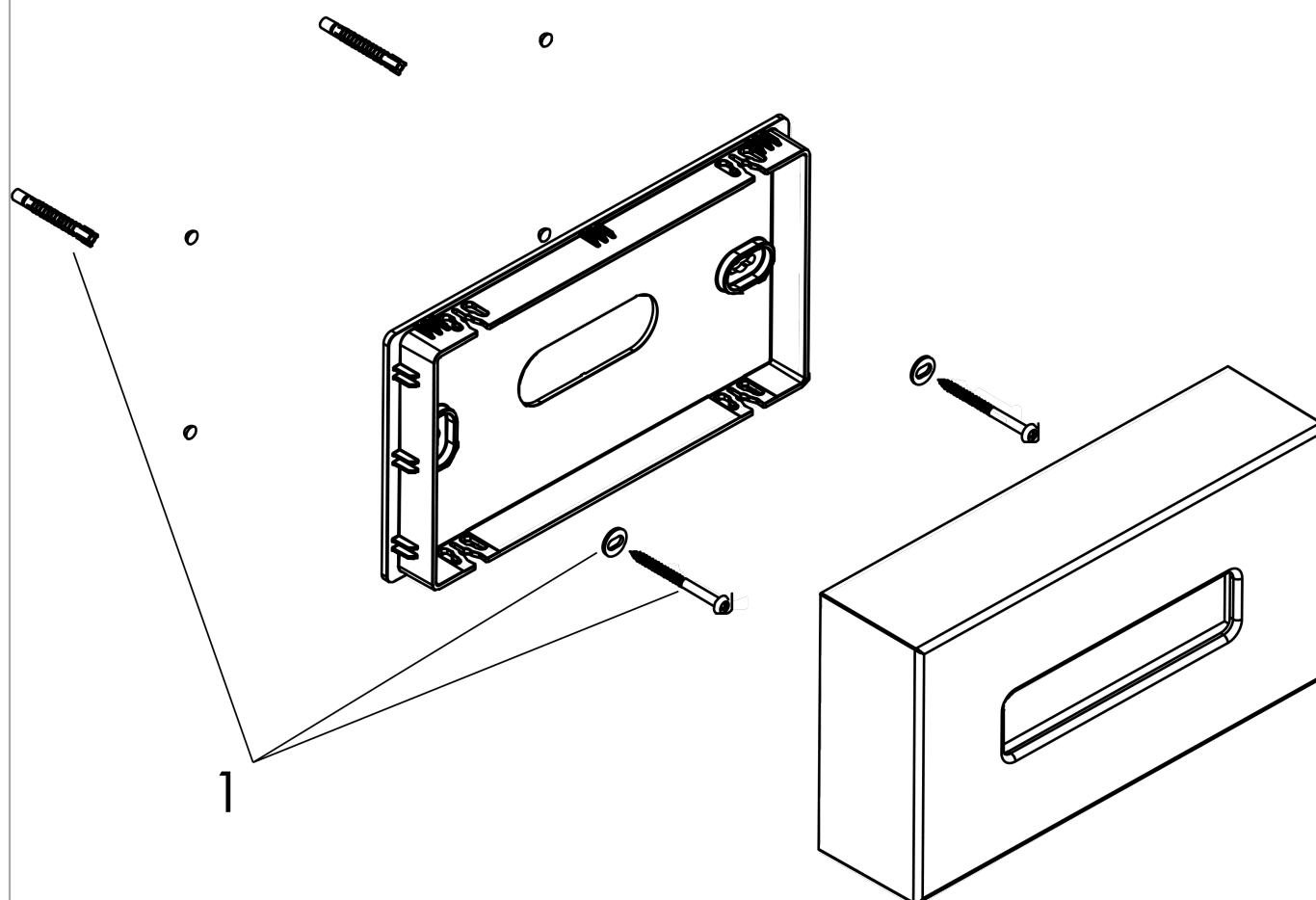
Tissue box

Surfaces: **Chrome** Article Number: **42873000**



Exploded Drawing

Year of production: >10/21



AXOR Universal Circular

Tissue box

Surfaces: **Chrome** Article Number: **42873000**



Spare part list

Year of production: >10/21

Pos.		Article Number	Price	PU
1	mounting set	96179000	-	1