

**AXOR Universal Circular
Toilet paper holder double**

Surfaces: **Chrome** Article Number: **42857000**



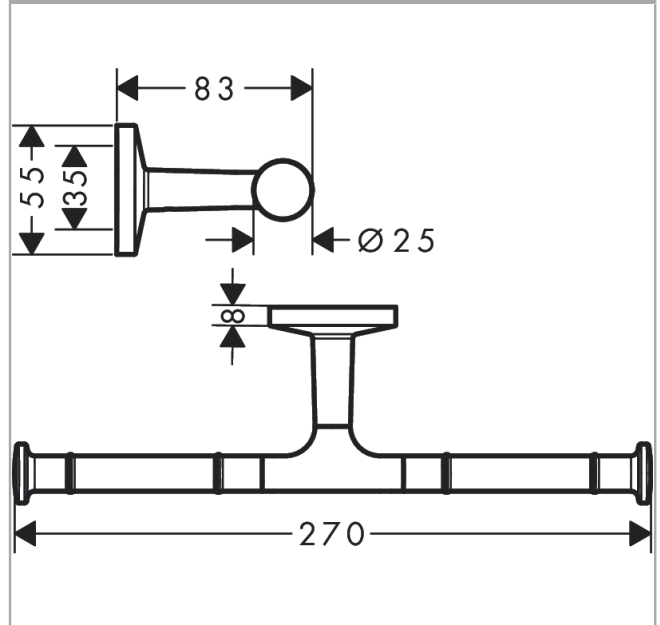
product features

- wall-mounted
- material: metal
- with mounting material
- concealed fastening
- drilling distance: 35 mm
- diameter drill hole: 6 mm
- for 2 paper rolls

Product image



Scale drawing



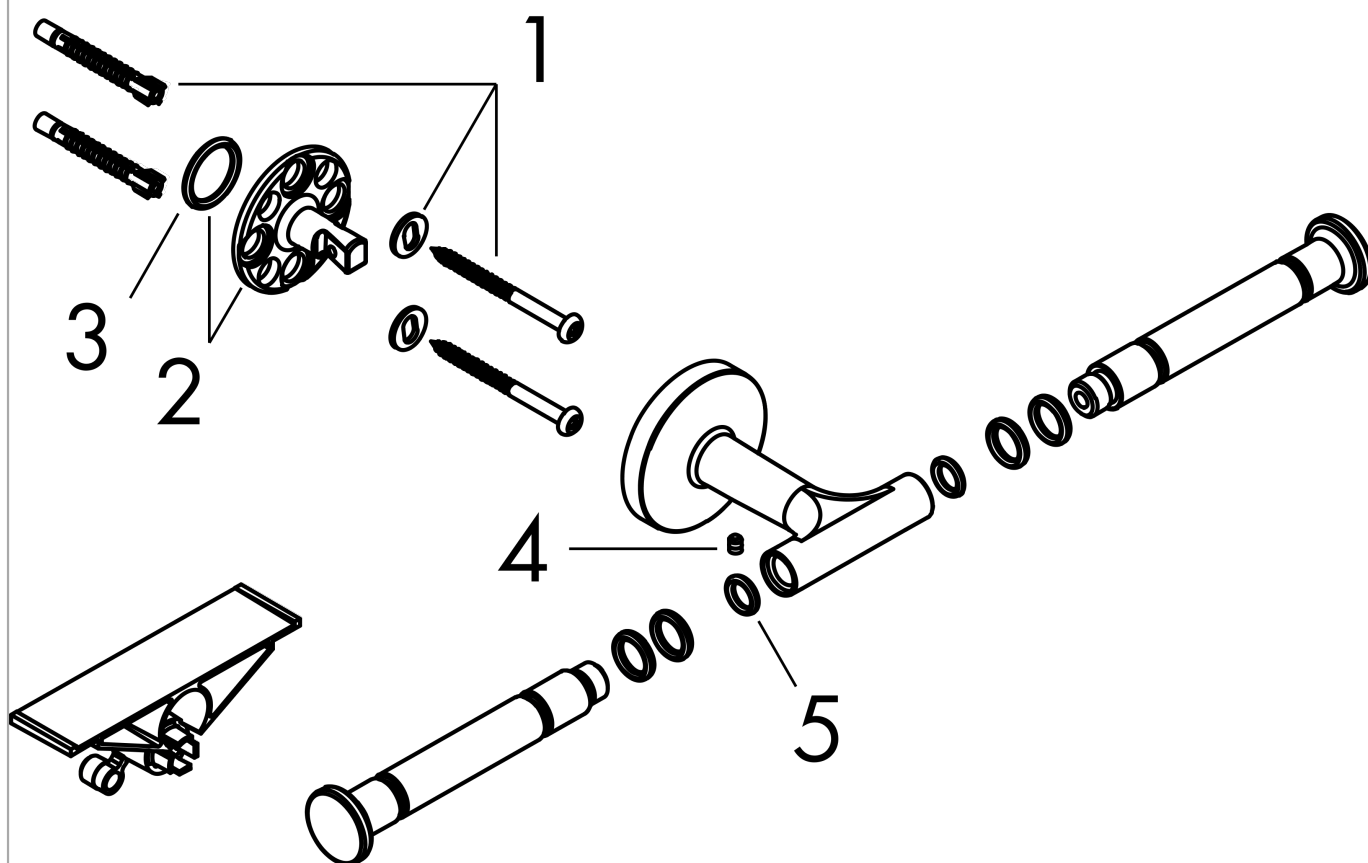
**AXOR Universal Circular
Toilet paper holder double**

Surfaces: **Chrome** Article Number: **42857000**



Exploded Drawing

Year of production: >10/21



AXOR Universal Circular
Toilet paper holder double
 Surfaces: **Chrome** Article Number: **42857000**



Spare part list

Year of production: >10/21

Pos.		Article Number	Price	PU
1	mounting set	96179000	-	1
2	support element	94428000	-	1
3	O-ring 18x2,5	98139000	-	1
4	hollow set screw M4x5	98731000	-	1
5	O-Ring 8x2,5	93236000	-	1