

# 4" Multifunction Shower Head

3-347



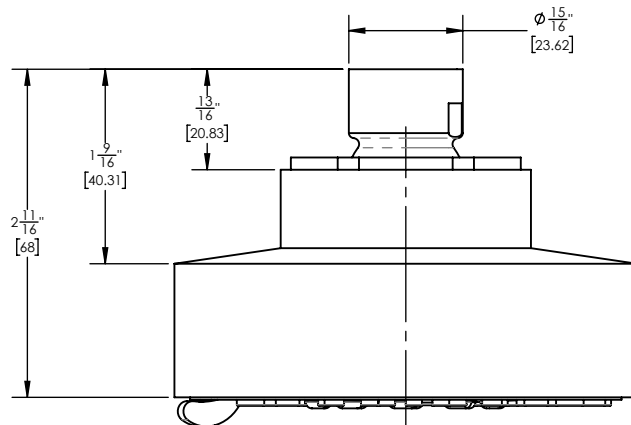
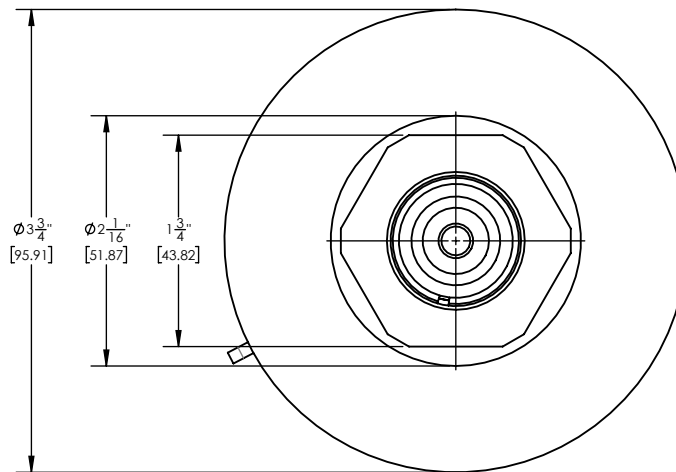
## ■ PRODUCT FEATURES

- .
- .
- .
- .

## ■ TECHNICAL DETAILS

ADA Compliance: No  
Flow Restriction: 1.8 gpm

## ■ PRODUCT DIMENSIONS



[www.phylrich.com](http://www.phylrich.com)

1261 Logan Avenue, Costa Mesa, California 92626.  
Phone: 714.361.4800 Fax: 714.617.3120

Rev-



**CODES & STANDARDS**

ASME A112.181/ CSA B1251, ASME 112.18.2/ CSA B125.2, ANSI NSF, CEC

**WARRANTY**

Mechanical Warranty: 10 Years from date of purchase.  
Finish Warranty: See catalog for further information.