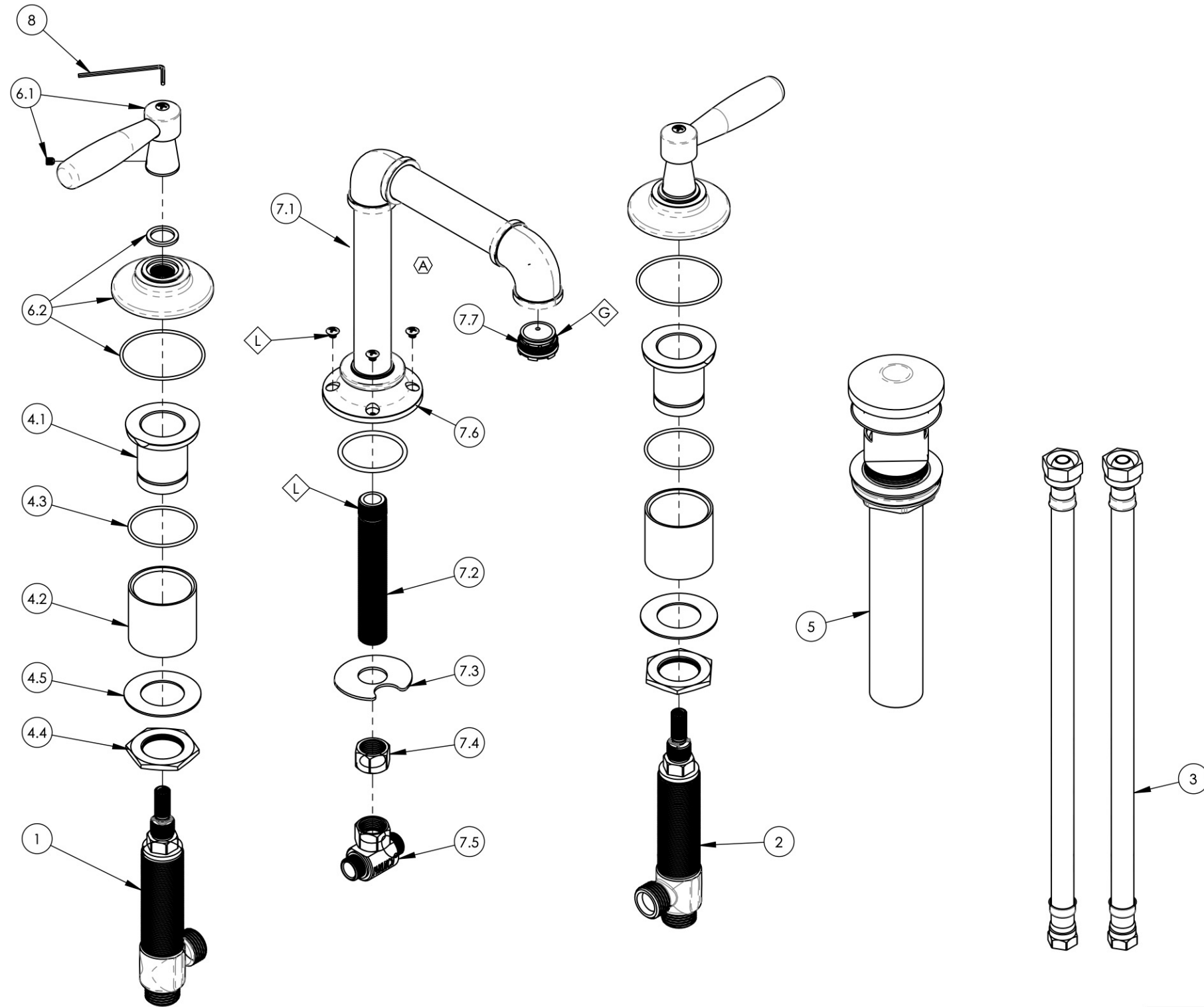


NOTE(S):  
 1. PART NUMBER, "/100" DENOTES PART SHALL HAVE FINISH.  
 2. APPLY NSF COMPLIANT GREASE TO ANY O-RING, SEALING JOINTS, AND/OR PIVOTAL POINTS.  
 3. APPLY NSF COMPLIANT LOCTITE TO THREADED AREA.



| ITEM NO. | PART NUMBER | DESCRIPTION  | QTY. |
|----------|-------------|--|------|
| 1        | 1-149       | WIDESPREAD VALVE LAV 16PT, HOT, ONLY                             | 1    |
| 2        | 1-150       | WIDESPREAD VALVE LAV 16PT, COLD, ONLY                            | 1    |
| 3        | 10982       | HOSE, 3/8" COMP. X 1/2" NPSM - 12'L                              | 2    |
| 4        | 2-092       | RECESSED MOUNTING KIT FOR WIDESPREAD                             | 2    |
| 4.1      | 10998       | SLEEVE MOUNT, WIDESPREAD   | 1    |
| 4.2      | 92180       | EXTENSION SLEEVE, WIDESPREAD                                     | 1    |
| 4.3      | 90029       | O-RING, 1-5/8"ID X 1-3/4"OD X 1/16"THK, AS-568-029               | 1    |
| 4.4      | 92251       | HEX NUT, 1"-20 THREAD  | 1    |
| 4.5      | 92252       | WASHER, 1-1/32" ID 1-13/16" OD                                   | 1    |
| 5        | 3-545/00    | BRASS PUSH TYPE DRAIN, W/ OVERFLOW & SMALL PLUG                  | 1    |
| 6        | 3-615/00    | HANDLE LEVER W/ BASE & HARDWARE, WORKS                           | 2    |
| 6.1      | 3-303/00    | HANDLE LEVER W/ HARDWARE, WORKS                                  | 1    |
| 6.2      | 3-299/00    | ESCUTCHEON BASE FOR HANDLE, WORKS                                | 1    |
| 7        | 3-626/00    | SPOUT HIGH, WIDESPREAD, W/ HARDWARE, INDUSTRIAL, WORKS           | 1    |
| 7.1      | 2-341/00    | SPOUT HIGH, INDUSTRIAL, BRAZE, WORKS                             | 1    |
| 7.2      | 10745       | THREAD ALL, 3/8"-18 NPSL - 3/8"NPT                               | 1    |
| 7.3      | 92174       | WASHER MOUNT WIDESPREAD (3/8")                                   | 1    |
| 7.4      | 10746       | NUT, 3/8"-18 NPSL  | 1    |
| 7.5      | 1-112       | TEE VALVE, 3/8" NPSM X 3/8" COMPRESSION                          | 1    |
| 7.6      | 90127       | O-RING, 1-7/16"ID X 1-5/8"OD X 3/32"THK, AS-568-127              | 1    |
| 7.7      | 11427       | AERATOR, CACHE REG, PINK 1.2 GPM, M24X1.0, NEOPERL # 40.2360.010 | 1    |
| 7.8      | 92431       | SCREW, STAINLESS STEEL PHILLIPS HEAD, 8-32 X 1/4"                | 4    |
| 8        | P39001      | HEX KEY 5/64, FOR 8-32 SET SCREW                                 | 1    |

| D6  | A    | UPDATED SUB-ASSEMBLY                           | 8/18/2020   | RAH      |  |
|---|------|--|---|----------|--|
| ZONE  | REV. | DESCRIPTION                                    | DATE  | APPROVED |  |
| REVISIONS   |      |  |   |          |  |
| 1261 LOGAN AVENUE<br>COSTA MESA, CALIFORNIA 92626<br>PHONE: 714.361.4800<br>FAX: 714.617.3120 |      | <b>PHYLIRICH</b><br>Defining Luxury Since 1959 | <b>PROPRIETARY AND CONFIDENTIAL</b><br>THE INFORMATION CONTAINED IN THIS DRAWING IS THE SOLE PROPERTY OF PHYLIRICH. ANY REPRODUCTION IN PART OR AS A WHOLE WITHOUT THE WRITTEN PERMISSION OF PHYLIRICH IS PROHIBITED. |          |  |

| INTERPRET GEOMETRIC DIMENSIONING & TOLERANCING IN ACCORDANCE WITH ASME Y14.5-2009 & ASME Y14.41-2003 STANDARDS. UNLESS OTHERWISE SPECIFIED, DIMENSIONS ARE IN INCHES. TOLERANCES ARE: | FRACTIONS | DECIMALS                               | ANGULAR |
|---|-----------|--|---------|
|   | ±1/16"    | X.X: ±.1<br>X.XX: ±.01<br>X.XXX: ±.005 | ±2°     |
| NEXT ASSY   | USED ON   | NAME                                   | DATE    |
| APPLICATION   |           |  |         |
| MATERIAL  |           |  |         |
| FINISH  |           |  |         |
| <b>DO NOT SCALE DRAWING</b>   |           |  |         |
| CHECKED   | MAF       | 9/9/2019                               |         |

| WIDESPREAD LAV, HIGH SQUARE SPOUT W/ LEVER, WORKS |              |              |
|---|--------------|--------------|
| SIZE  | ASM/PRT NO.  | REV          |
| <b>B</b>  | 221-02/00    | A            |
| SCALE: 1:3  | WEIGHT: lbs. | SHEET 1 OF 2 |