

NOTE(S):  
 1. PART NUMBER, "/00" DENOTES PART SHALL HAVE FINISH.

2. APPLY NSF COMPLIANT GREASE TO ANY O-RING, SEALING JOINTS, AND/OR PIVOTAL POINTS.

3. APPLY NSF COMPLIANT LOCTITE TO THREADED AREA.

4. APPLY NSF COMPLIANT REMOVABLE (BLUE) LOCTITE TO THREADED AREA.

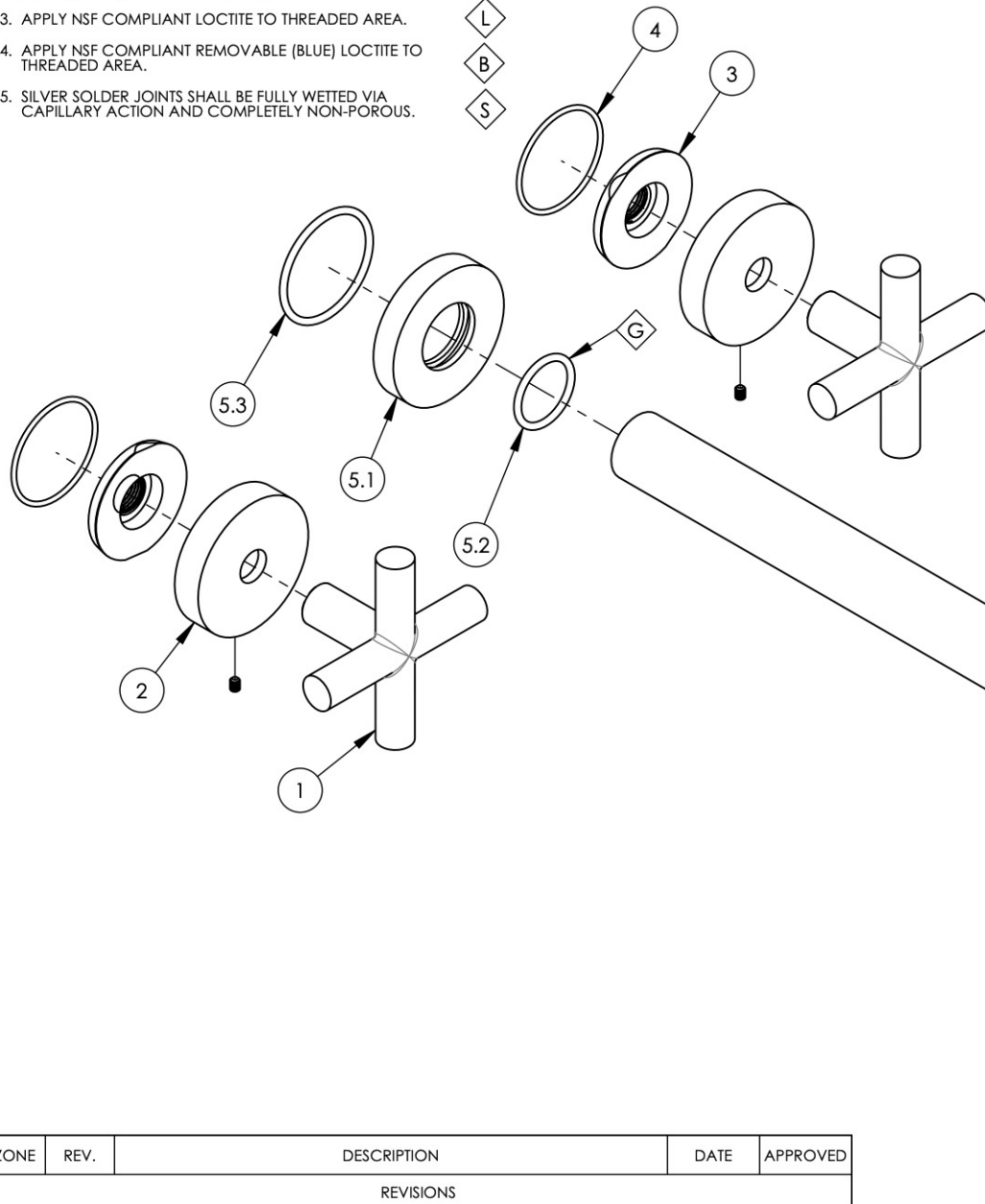
5. SILVER SOLDER JOINTS SHALL BE FULLY WETTED VIA CAPILLARY ACTION AND COMPLETELY NON-POROUS.

G

L

B

S



ITEM NO.	PART NUMBER	DESCRIPTION	QTY.
1	3-580/00	HANDLE CROSS W/ SET SCREW, TRANSITION	2
2	3-590/00	ESCUTCHEON W/ SET SCREW, TRANSITION	2
3	11003	SLEEVE MOUNT, WALL MT WIDESPREAD	2
4	90029	O-RING, 1-5/8"ID X 1-3/4"OD X 1/16"THK, AS-568-029	2
5	3-417/00	ASSY. 14" C-C WALL LAV. SPOUT, BASIC	1
5.1	P19017/00	ESCUTCHEON, FOR SPOUT	1
5.2	90119	O-RING, 15/16"ID X 1-1/8"OD X 3/32"THK, AS-568-119	1
5.3	90129	O-RING, 1-9/16"ID X 3/32THK, AS-568-129	1
5.4	10481/00	14" WALL LAV SPOUT, BASIC SERIES	1
5.5	11429	AERATOR CACHE JR, 1.2GPM, M21.5X1.0, 42.2260.450	1

ZONE	REV.	DESCRIPTION	DATE	APPROVED
REVISIONS				

1261 LOGAN AVENUE  
 COSTA MESA, CALIFORNIA 92626  
 PHONE: 714.361.4800  
 FAX: 714.617.3120

**PHYLIRICH**<sup>®</sup>  
 Defining Luxury Since 1959

**PROPRIETARY AND CONFIDENTIAL**  
 THE INFORMATION CONTAINED IN THIS DRAWING IS THE SOLE PROPERTY OF PHYLIRICH. ANY REPRODUCTION IN PART OR AS A WHOLE WITHOUT THE WRITTEN PERMISSION OF PHYLIRICH IS PROHIBITED.  
**DO NOT SCALE DRAWING**

WALL LAV, 14" SPOUT, CROSS HANDLES, TRANSITION

SIZE <b>A</b>	ASM/PRT NO. 120-11-14/00	REV -
SCALE: 1:2.5	WEIGHT: lbs.	SHEET 1 OF 2