

30" DREW CONSOLE WITH BRASS STAND

Cat. No

752WH, 754WH, 759WH



Faucet not included

W: 30"
D: 21"
H: 35-1/2"



Mounting hardware T801A

Interior Dimensions:

Basin Interior:	18" X 11-3/4"
Water Depth to OF:	5-1/2"
Faucet and Spout Hole:	1-1/2"
Sink Maximum Mount Bolts Height:	31-1/2"
Mount Bolt Height for Stand:	22-3/4"

Features:

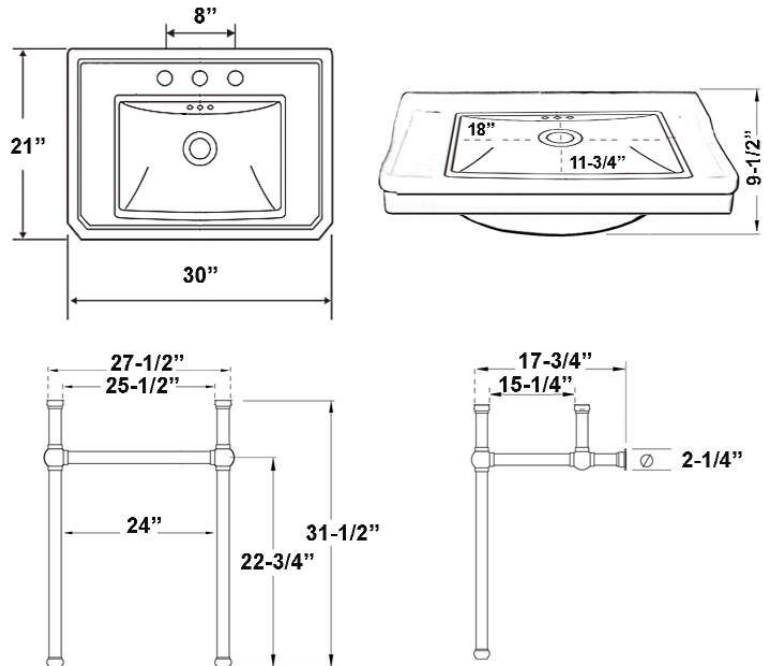
- ▶ Basin is Vitreous China
- ▶ Stand is made of 1" brass tubing
- ▶ Pre-drilled overflow hole
- ▶ Pre-drilled for single hole (**754WH**), 4" centerset (**759WH**) or 8" widespread faucet (**752WH**)
- ▶ Includes mounting hardware
- ▶ Stand is available in 5 finishes

Colors:

BN Brushed Nickel
CP Polished Chrome
PN Polished Nickel
PB Polished Brass
ORB Oil Rubbed Bronze

Compliance Certification

- Meets or exceeds the following specifications: ASME A112.19.1 2018 AND CSA B45.1-18 for Vitreous China fixtures.



Dimensions of fixture are nominal and may vary within the range of tolerances established by ASME Standard A112.19.2.2018 Dimensions and specifications subject to change without notice.