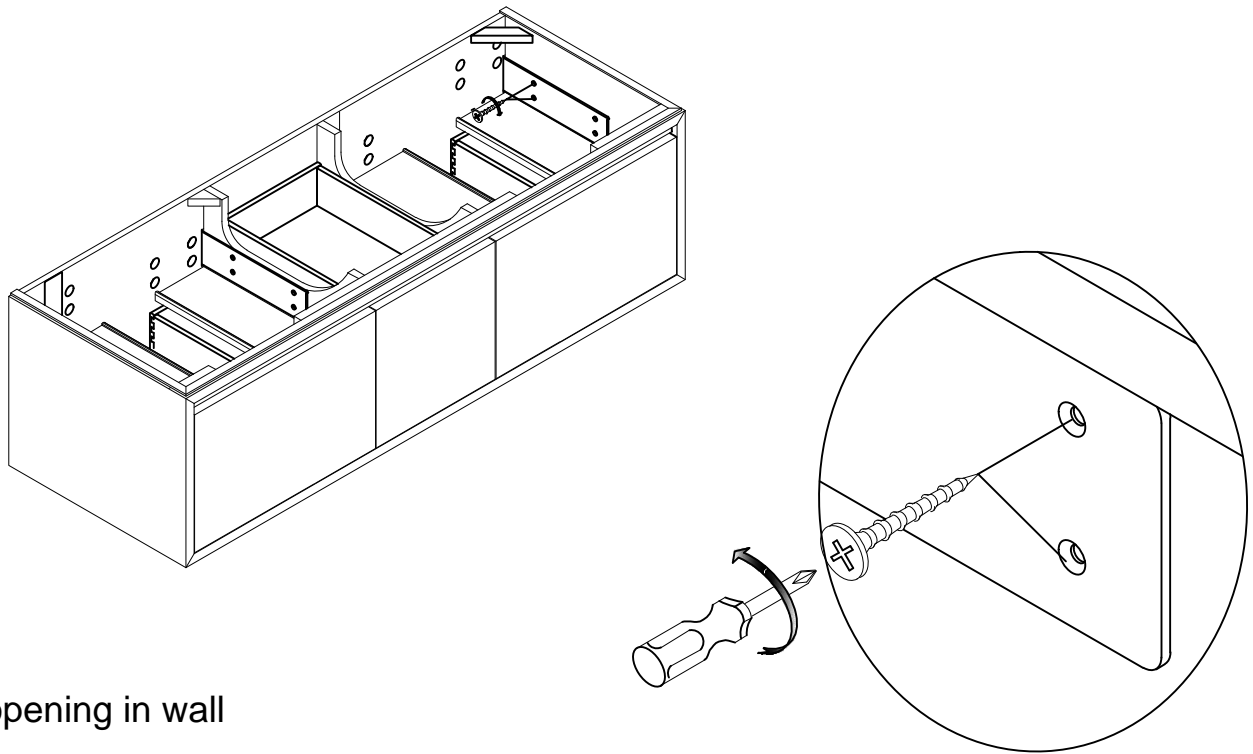
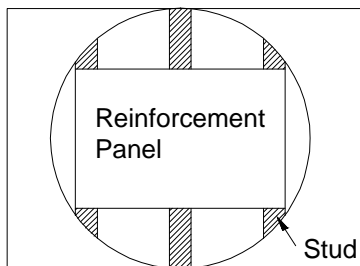


1505 / WV7221D

Detach mounting bracket from vanity

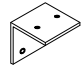

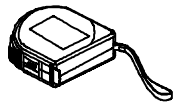






Cut opening in wall



Reinforcement Panel

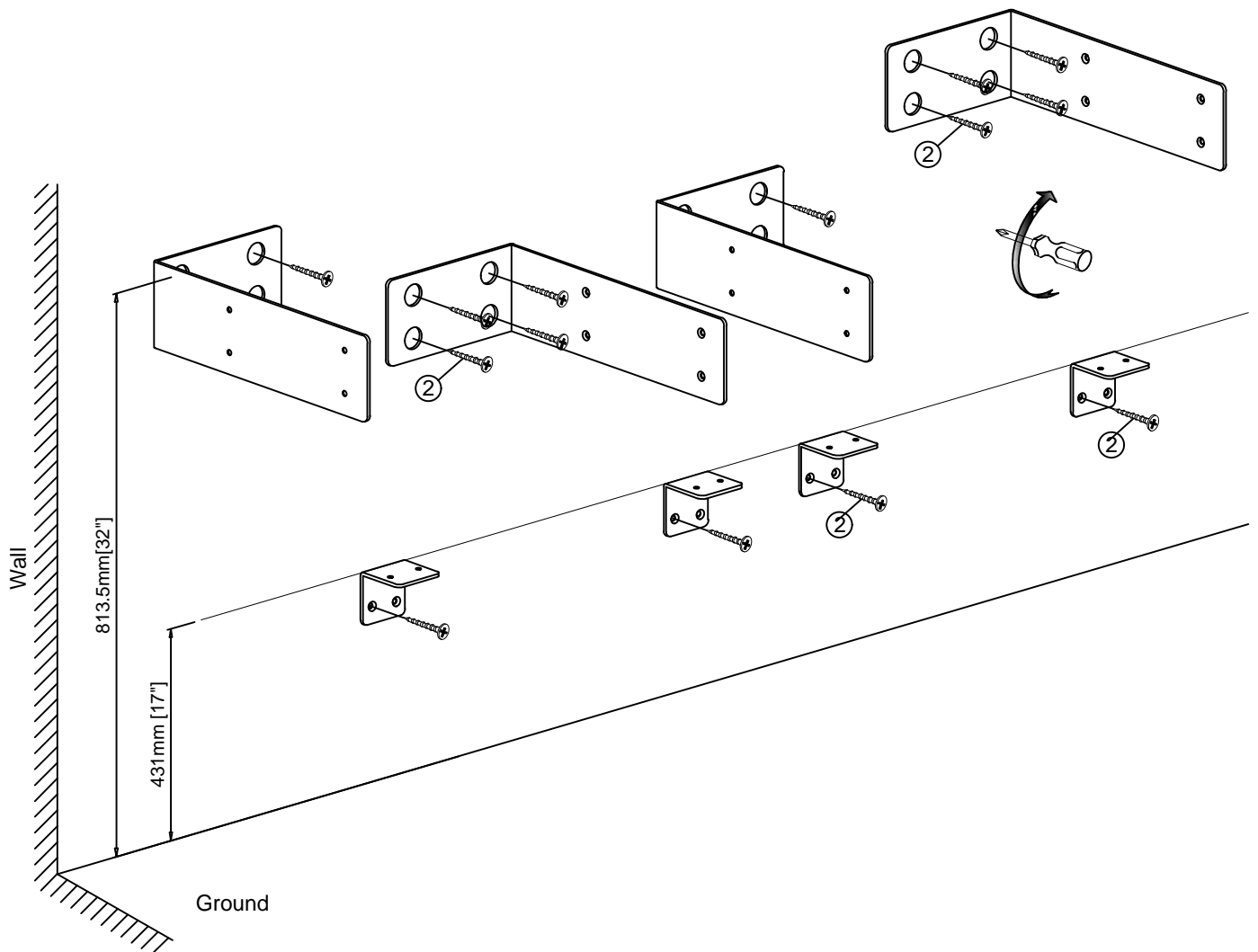
- * Large enough to cover 2 studs
- * Not provided by manufacturer

Parts Included				Tools And Materials		
1		50x50x50x3mm	4pcs	 Screwdriver  Tape measure  Pencil		
2		Ø8x38mm	24pcs			
3		Ø8x19mm	8pcs			
4		Ø10x28mm	24pcs			

Fairmont Designs highly recommends that you seek a professional installation specialist if you are unsure of installation. Please note: Fairmont Designs is not responsible for any installation error, damages or injuries, actual or consequential resulting from possible printing error in instruction

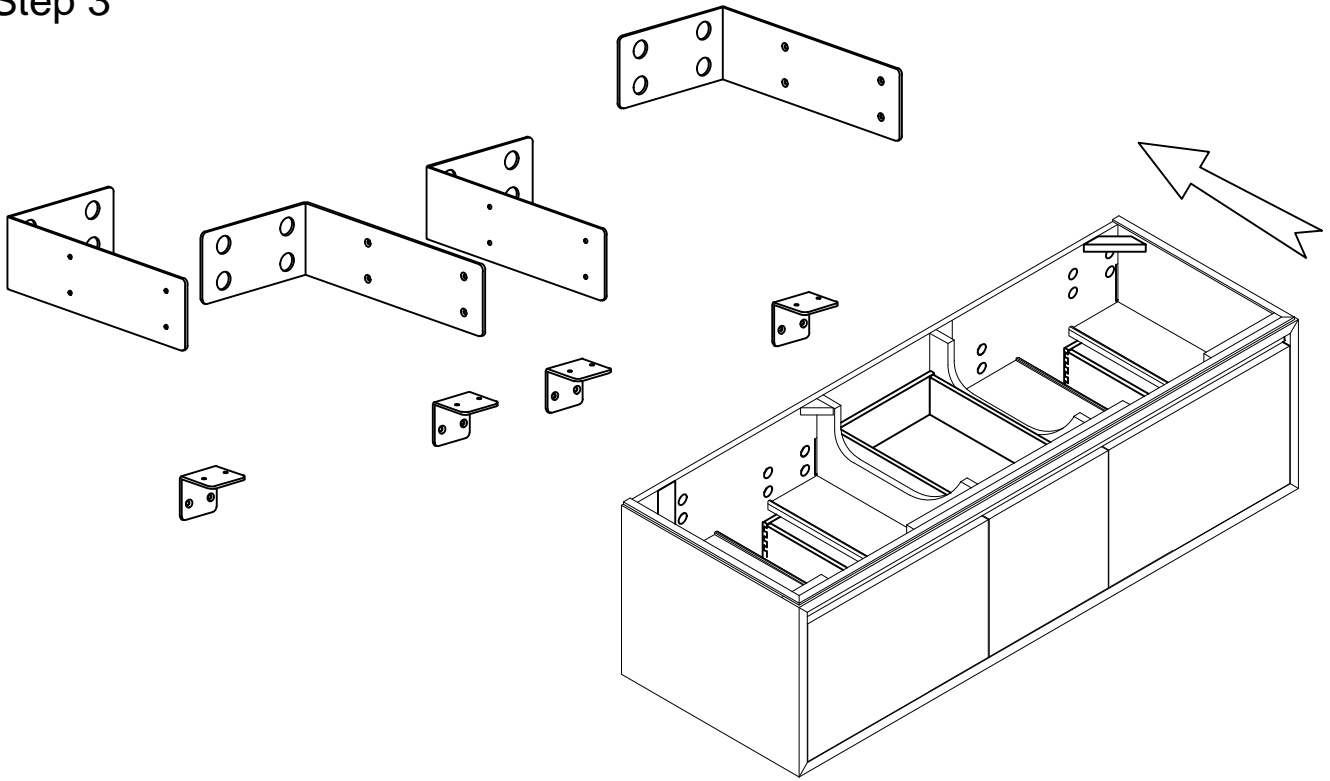
1505 / WV7221D

Step 2: Mounting bracket must be attached to reinforcement panel.

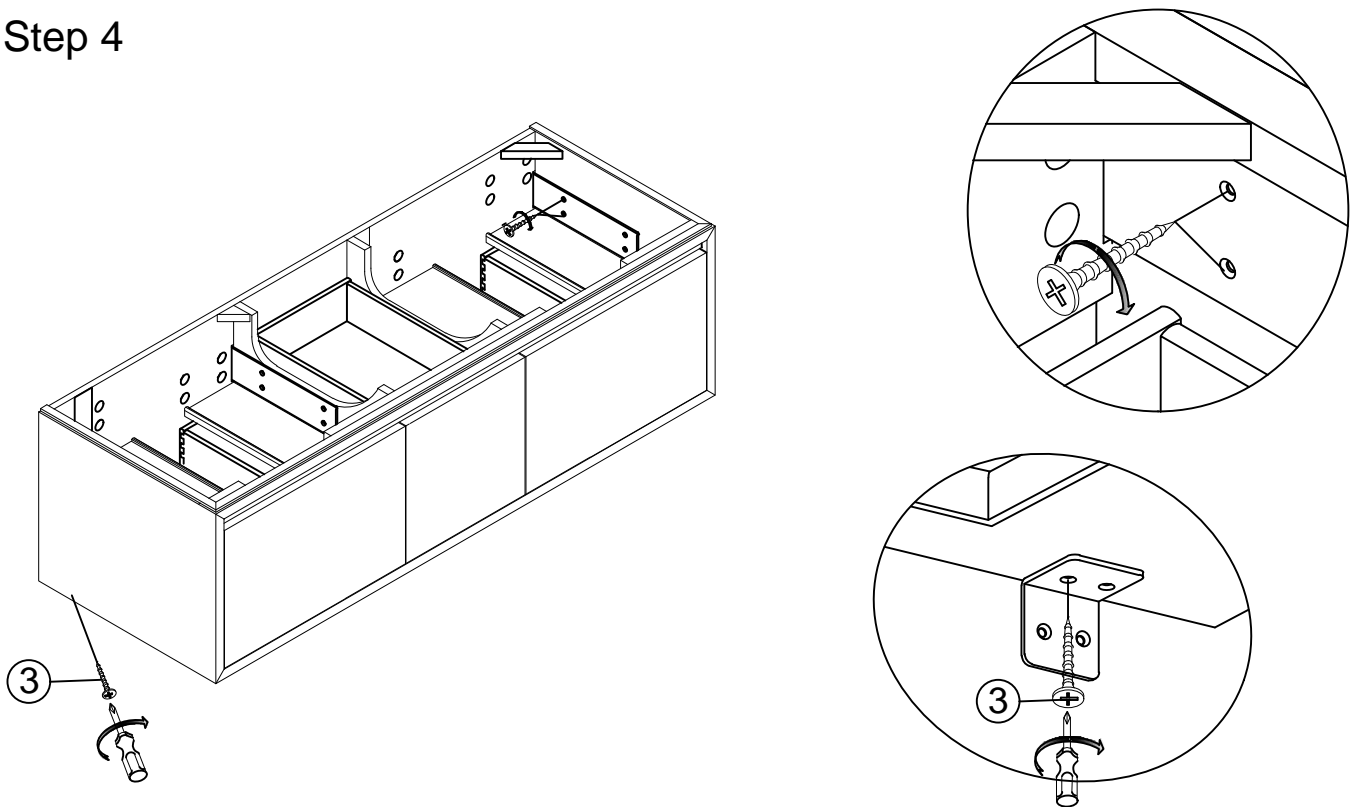


1505 / WV7221D

Step 3



Step 4



Fairmont Designs highly recommends that you seek a professional installation specialist if you are unsure of installation. Please note: Fairmont Designs is not responsible for any installation error, damages or injuries, actual or consequential resulting from possible printing error in instruction