

24"

JAMES MARTIN

VANITIES

Wellington 24" Single Console
Sink With Stand

Assembly Instructions

Porcelain Sink and Stand


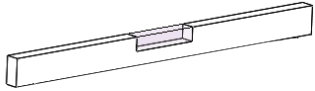
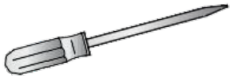
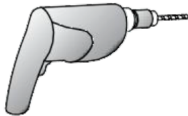

- 318-V24-BRS-CRM Brass Finish
- 318-V24-CHR-CRM Chrome Finish
- 318-V24-MBK-CRM Matte Black Finish



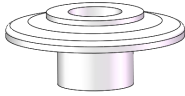
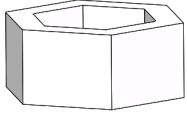
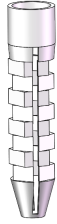


JAMES MARTIN

VANITIES




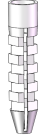

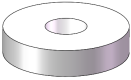


Tools Required:

 <p>Pencil</p>	 <p>level Tool</p>	
 <p>Screwdriver</p>	 <p>Electric drill</p>	 <p>Hammer</p>







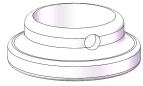
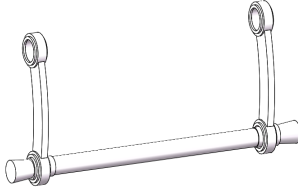
Sink Hardware:

 <p>A: Plastic Washers 2X</p>	 <p>C: Nut 2X</p>	 <p>D: M8 2X</p>  <p>E: M8 Screw 2X</p>
 <p>B: Washers 2X</p>		

Base Hardware:

 <p>F: Screw 8X</p>	 <p>G: Screw 4X</p>	 <p>I: M4 Screw 4X</p>	 <p>J: Screw 4X</p>	 <p>L: 2.5 Allen Wrench 1X</p>
 <p>H: Rubber Mat 4X</p>	 <p>K: Floor Washers 2X</p>	 <p>M: 2.0 Allen Wrench 1X</p>		

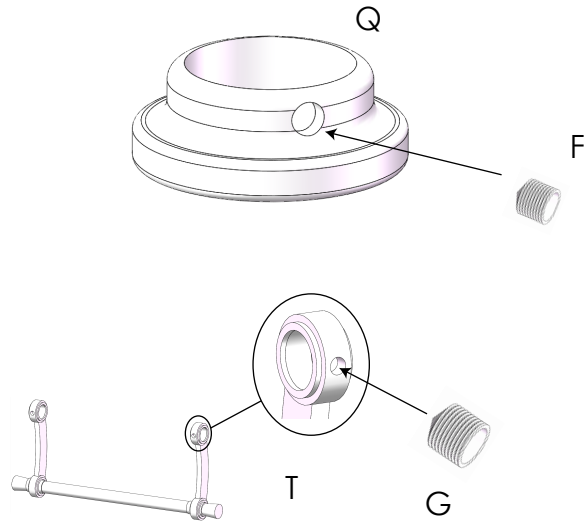
Base Parts:

 <p>N 2X</p>	 <p>P 2X</p>	 <p>R 1X</p>  <p>S 2X</p>	 <p>U 2X</p>
 <p>O 2X</p>	 <p>Q 6X</p>	 <p>T 1X</p>	

JAMES MARTIN

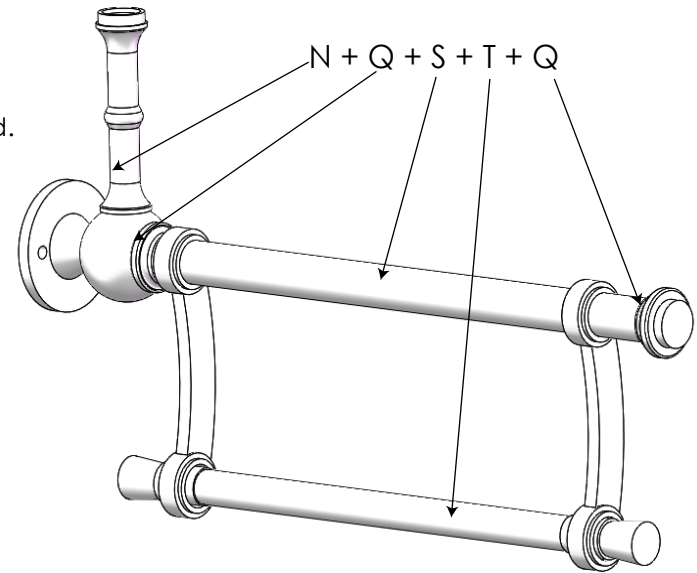
VANITIES

①



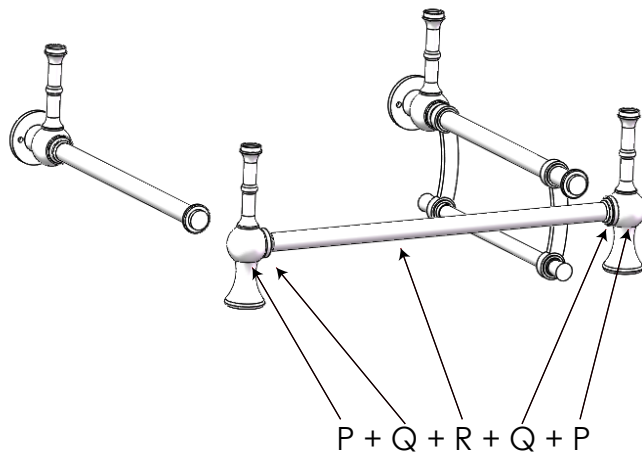
②

Screw by hand.



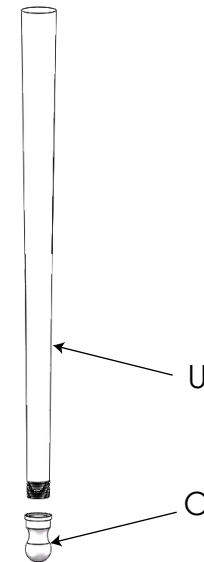
③

Screw by hand.



④

Screw by hand.

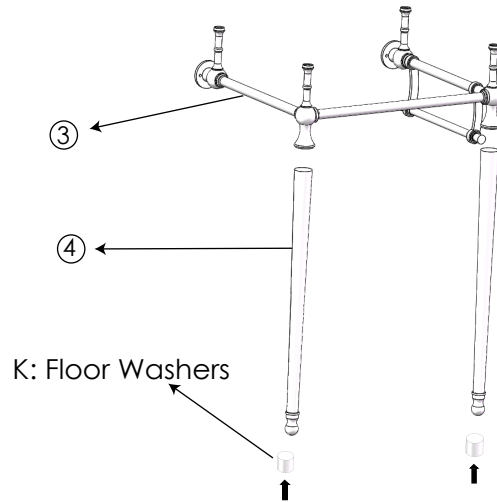


JAMES MARTIN

VANITIES

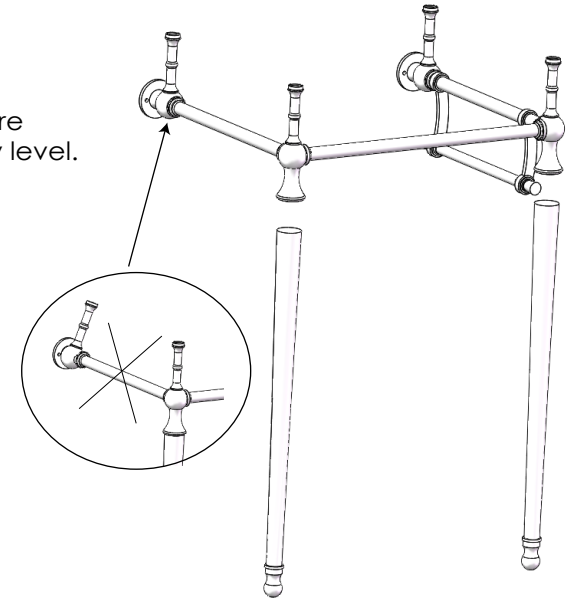
5

Screw the legs into the rail.



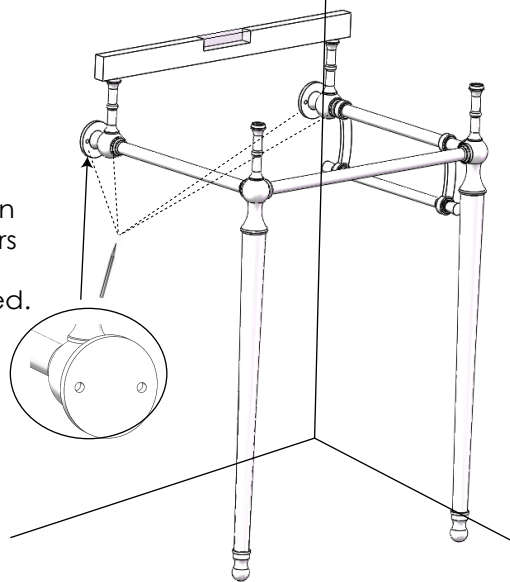
6

Use a level tool and make sure that these parts are perfectly level.

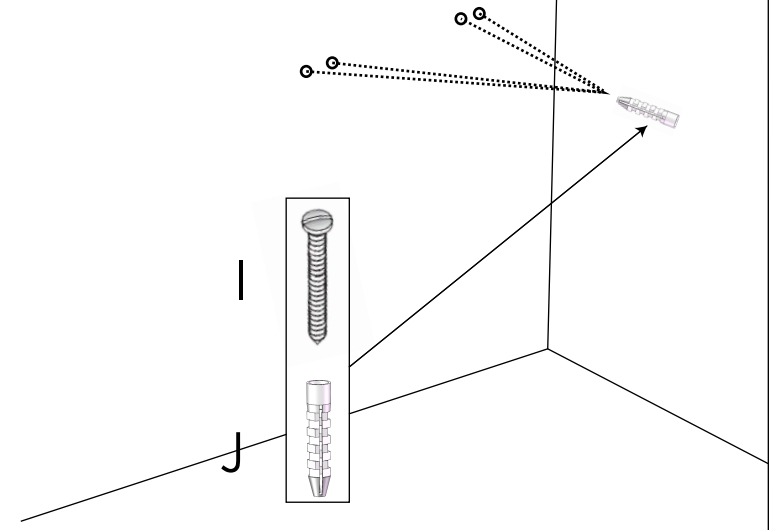


7

Determine the final installation position and mark the hole positions in pencil on the wall. When determining the installation position, include the floor washers because the height will change once the floor washers are added.



8

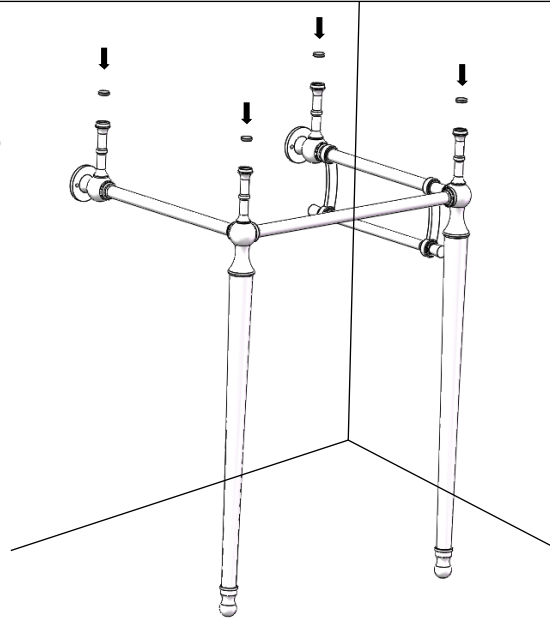


JAMES MARTIN

VANITIES

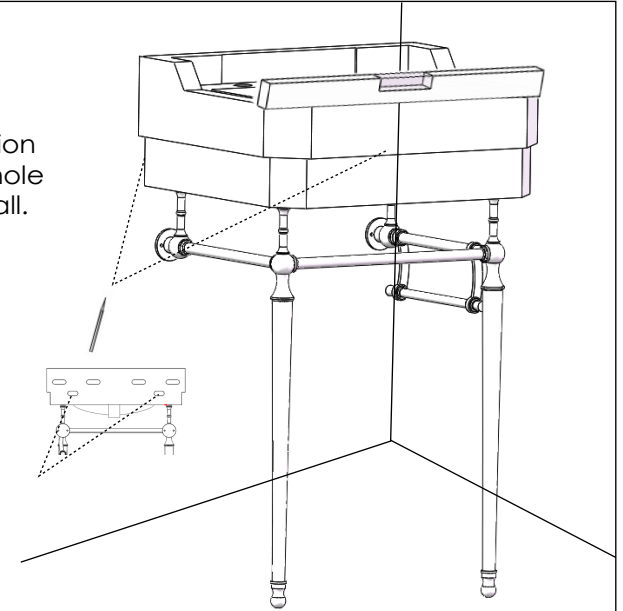
9

Fix each of the brackets onto the wall using the 4 screws provided. Ensure that the screw heads are parallel to the floor. Please the 4 rubber washers into the 4 recesses as shown.



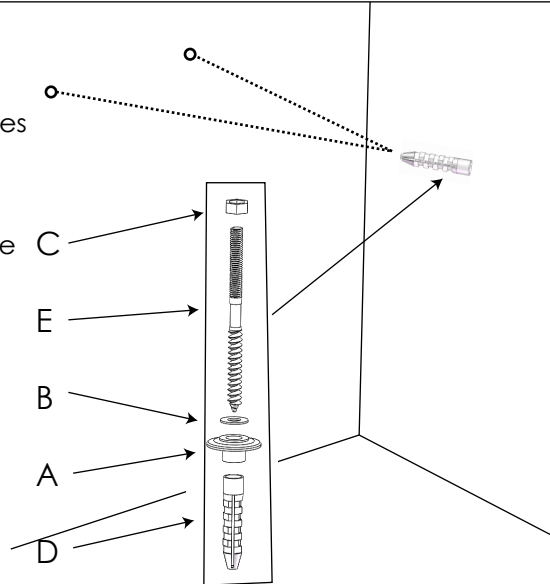
10

Determine the final installation sink position and mark the hole positions in pencil on the wall.



11

Using a 10mm drill the two holes the marked positions (note: In the event that the wall/floor fixings supplied inappropriate for the wall/floor, please source alternatives).



12

Place the ceramic sink into position and use the level tool again to make sure it is perfectly level. Once level, the basin must be fixed to the wall using the appropriate hardware.

