

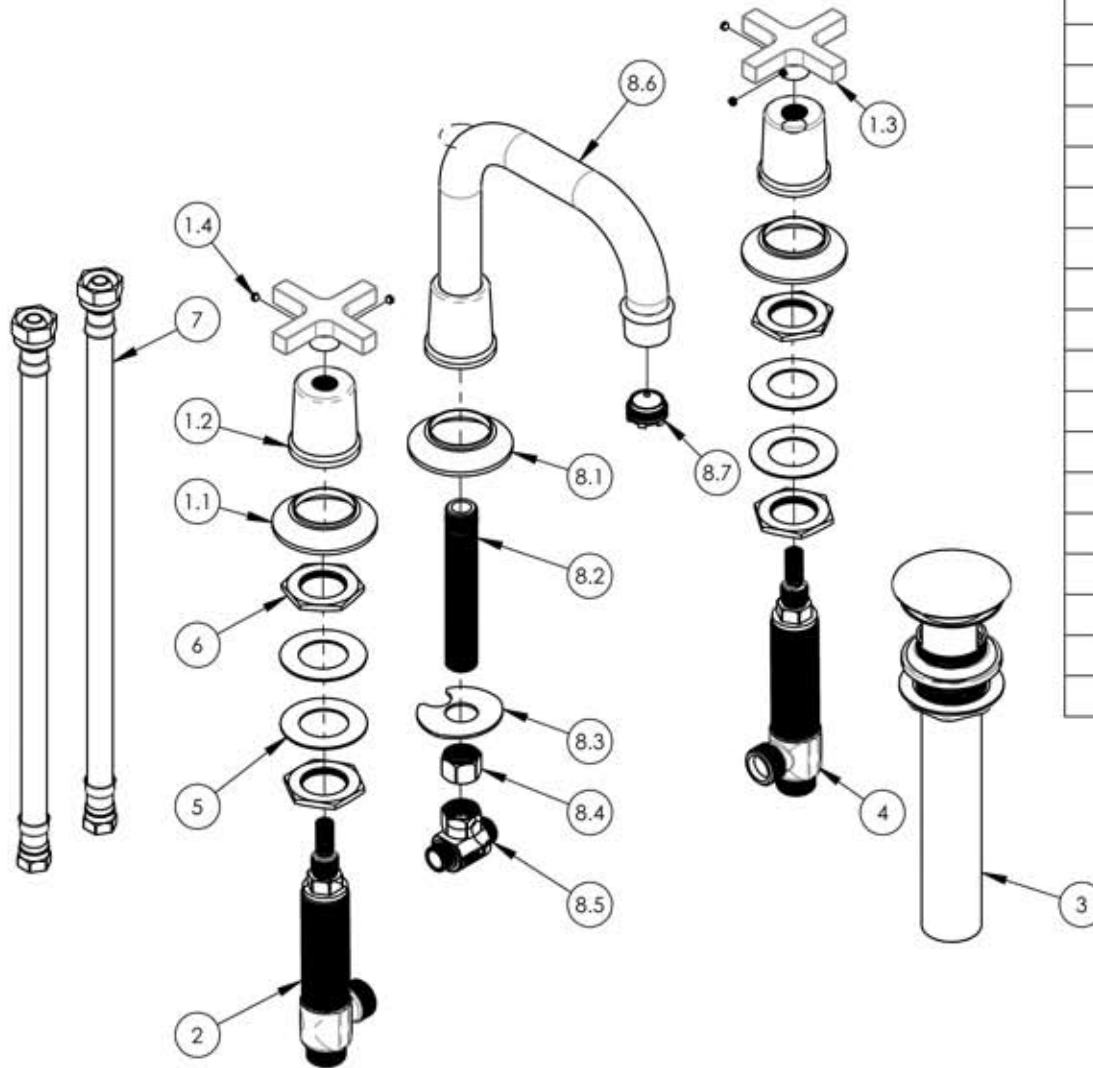
A

B

C

D

E



ITEM NO.	PartNo	DESCRIPTION	QTY.
1	3-132/00	CROSS HANDLE, HEX MODERN, 501 SERIES	2
1.1	10921/00	ESCUTCHEON, TRANSITIONAL	1
1.2	10922/00	HUB, FOR HEX TRANSITIONAL	1
1.3	10633/00	HANDLE CROSS, CONTEMPORARY 16PT	1
1.4	92163	SET SCREW, CONE PT 8-32 X 1/8" L	2
2	1-149	WIDESPREAD VALVE LAV 16PT, HOT, ONLY	1
3	3-517/00	PUSH TO CLOSE DRAIN	1
4	1-150	WIDESPREAD VALVE LAV 16PT, COLD, ONLY	1
5	92252	WASHER, 1-1/32" ID 1-13/16" OD	4
6	92251	HEX NUT, 1"-20 THREAD	4
7	10982	HOSE, 3/8" COMP. X 1/2" NPSM - 12" L	2
8	3-552/00	ASSY, SQUARE SPOUT, WIDESPREAD W/ HARDWARE, HEX MODERN	1
8.1	10921/00	ESCUTCHEON, TRANSITIONAL	1
8.2	10745	THREAD ALL, 3/8"-18 NPSL - 3/8"NPT	1
8.3	92174	WASHER MOUNT WIDESPREAD (3/8")	1
8.4	10746	NUT, 3/8"-18 NPSL	1
8.5	1-112	TEE VALVE, 3/8" NPSM X 3/8" COMPRESSION	1
8.6	2-280/00	ASSY, SQUARE SPOUT, BRAZE, HEX MODERN	1
8.7	11429	AERATOR CACHE JUNIOR COIN SLOT, 1.2GPM, M21.5X1.0	1

ZONE	REV.	DESCRIPTION	DATE	APPROVED
REVISIONS				

1261 LOGAN AVENUE COSTA MESA, CALIFORNIA 92626 PHONE: 714.361.4800 FAX: 714.617.3120		<h1>PHYL RICH®</h1> <p>Defining Luxury Since 1959</p>	<b>PROPRIETARY AND CONFIDENTIAL</b> <small>THE INFORMATION CONTAINED IN THIS DRAWING IS THE SOLE PROPERTY OF RKS MANUFACTURING. ANY REPRODUCTION IN PART OR AS A WHOLE WITHOUT THE WRITTEN PERMISSION OF RKS MANUFACTURING IS PROHIBITED.</small>
---	--	---	--

-		INTERPRET GEOMETRIC DIMENSIONING & TOLERANCING IN ACCORDANCE WITH ASME Y14.5-2009 & ASME Y14.41-2003 STANDARDS, UNLESS OTHERWISE SPECIFIED. DIMENSIONS ARE IN INCHES. TOLERANCES ARE:		
NEXT ASSY	USED ON	FRACTIONS ±1/64"	DECIMALS X.X: ±.1 X.XX: ±.01 X.XXX: ±.005	ANGULAR ±.5°
APPLICATION		MATERIAL	NAME	DATE
FINISH		DRAWN	RAH	8/9/2018
DO NOT SCALE DRAWING		CHECKED		

ASSY, WIDESPREAD, SQUARE SPOUT W/  
CROSS HANDLES, HEX MODERN

SIZE **A** ASM/PRT NO. 501-05/00 REV -

SCALE: 1:4 WEIGHT: lbs. SHEET 1 OF 2

5

4

3

2

1