

SONAR

Countertop Washbasin



DIMENSIONS

Length	23 10/16 inch
Width	16 9/16 inch
Height	5 11/16 inch

COLOUR AND FINISH

000 White

OPTIONS

136 - three tapholes USA/CAN, 8 inches apart

SPECIFICATION TEXT

Washbasin Console SONAR

Saphirkeramik (unique extra strong ceramic material)

Meets or exceeds the following:

ASME A112.19.2, cUPC/IAPMO listed

Features:

Rectangular basin, wall mounted

With overflow slot, with tap bank

Overflow channel glazed

Undersurface ground

Limited 5 year warranty

MOUNTING ACCESSORIES INCLUDED

Fixing set, part nr. 891940

Template, part nr. 896340

MOUNTING ACCESSORIES EXCLUDED

Mounting set M 6/16" x 5 8/16" (M10 x 140 mm), part nr. 899882

Push-open drain valve with SaphirKeramik Cover, part nr.898192

Pop-up drain valve with pull lever with SaphirKeramik Cover, part nr.898191

Always open drain valve with "SaphirKeramik" cover, part nr. 898188

Bowl depth (mm) : 100

Bowl length (mm) : 600

Bowl position : Central

Bowl width (mm) : 310

Fixing kit : Included

Installation type : Vanity, Wall-hung

Internal Shape : Soft

Material : Saphirkeramik

Net weight (kg) : 12

Number of fixing points : 2

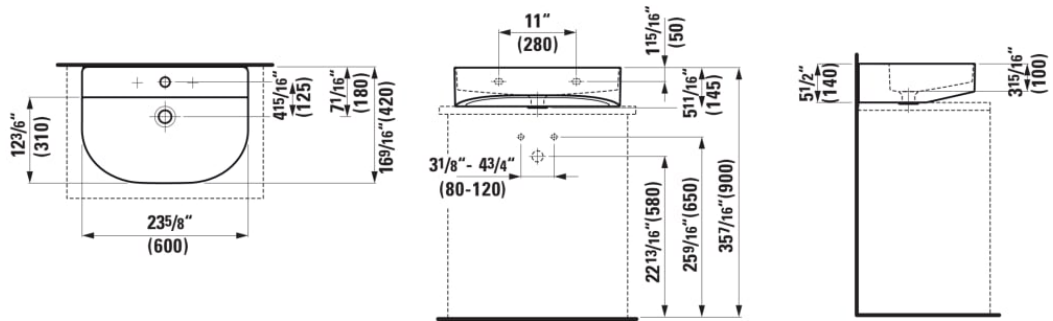
Shape : Soft

Taphole configuration : 3 Tapholes

Undersurface ground

Washbasin capacity (l) : 8.3

TECHNICAL DRAWINGS



SONAR

The internationally acclaimed and eclectic designer Patricia Urquiola reveals the third generation of LAUFENs SaphirKeramik - she is taking this extraordinary material with great sensitivity into a third dimension - creating this new collection with the name: SONAR.

