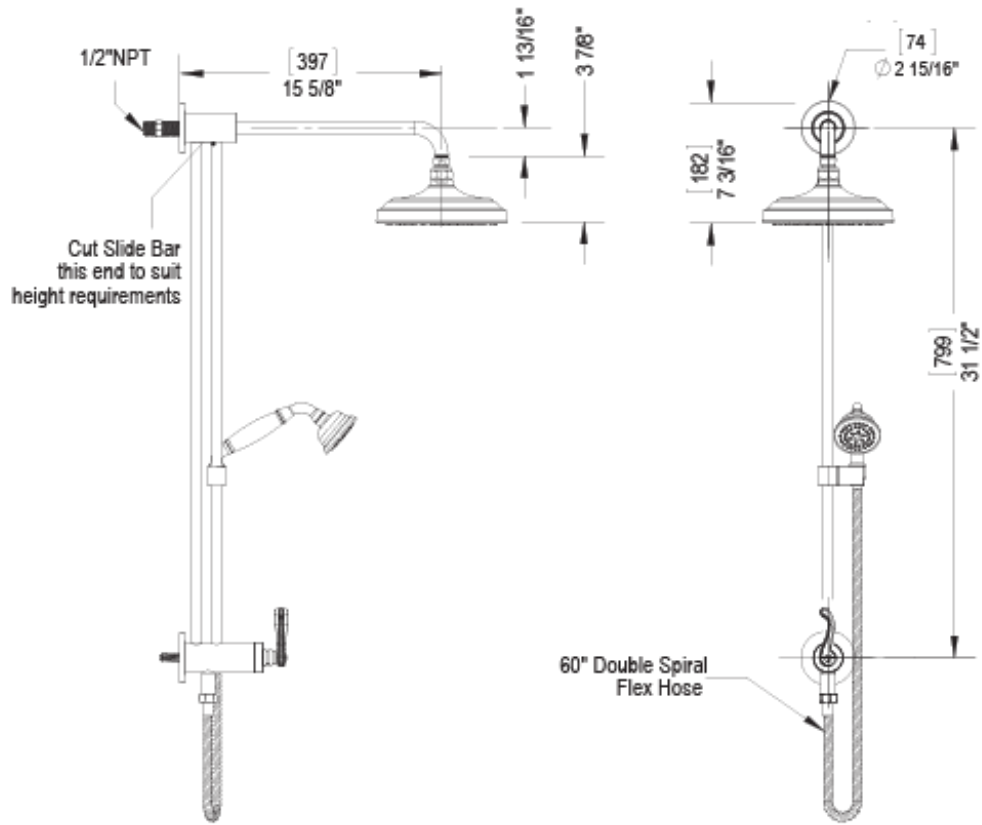




BAR WITH INLET AT SHOWER HEAD, INCLUDES 8" SHOWER HEAD, 12" SHOWER ARM, 30" ADJUSTABLE SLIDE BAR (CAN BE CUT TO SUIT),
HAND HELD SHOWER & DIVERTER (requires mixing valve with on/off)



Critical Dimensions