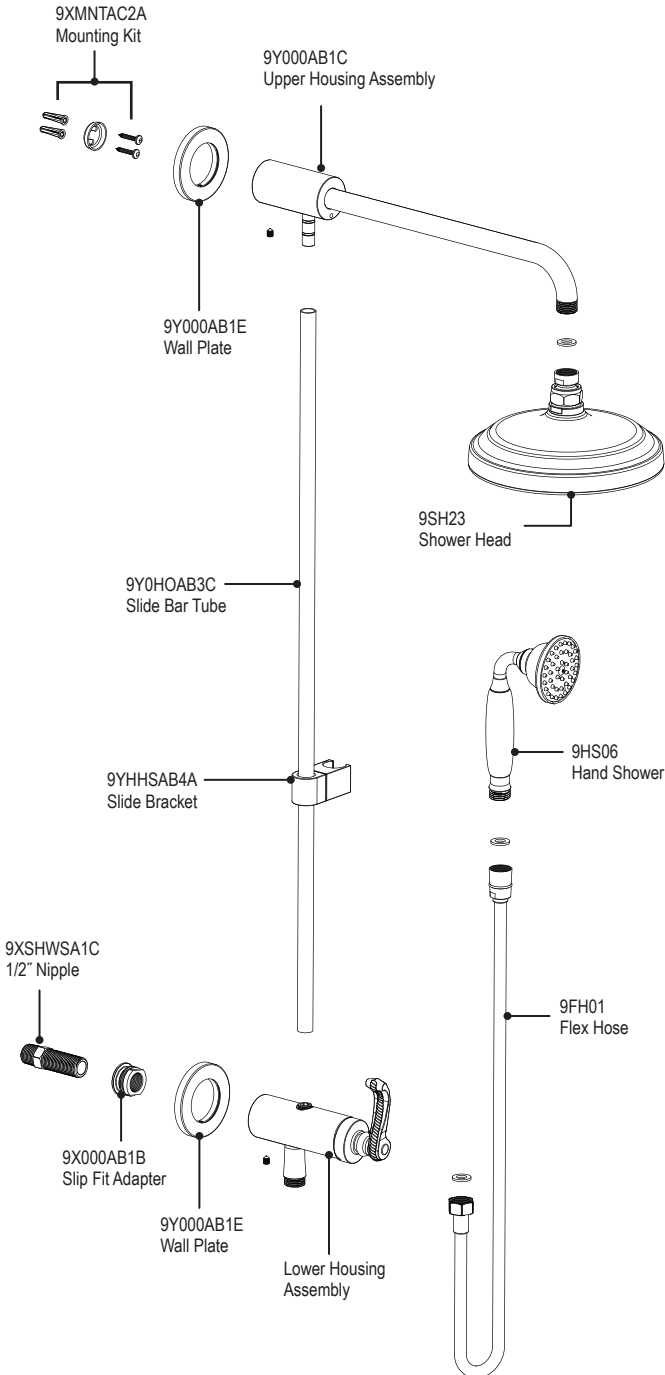


ASSEMBLY INSTRUCTION**4UET1****30" Slide Bar with Fixed Shower Head,
Adjustable Hand Held Shower & Diverter****4UET1****REMOVAL OF FIXTURE:**

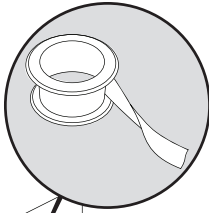
Always turn the water supply off before removing the existing fixture or disassembling a valve. Open all handles to relieve water pressure and to ensure that the water has been successfully turned off.

CARE OF FIXTURE:

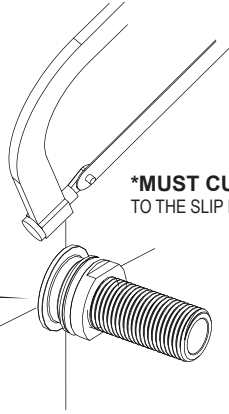
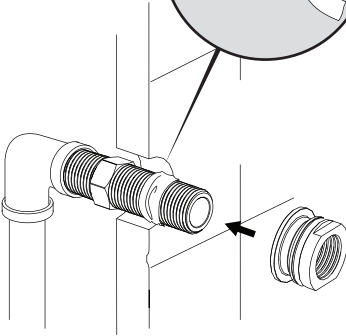
The use of warm water and a soft cloth is all that is required to clean Rubinet products. The patina of our living finishes (Oil Rubbed Bronze & Tuscan Brass) will change as a result of normal use. Applying Mineral Oil on occasion will create a softer look, subtle color changes and character.



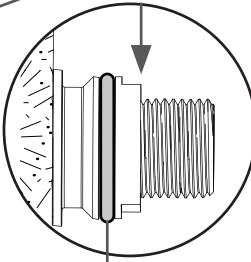
1



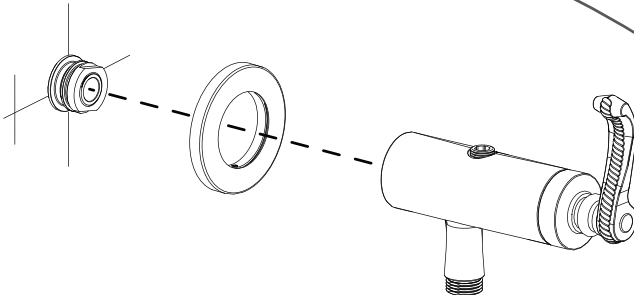
THREAD SEALING TAPE



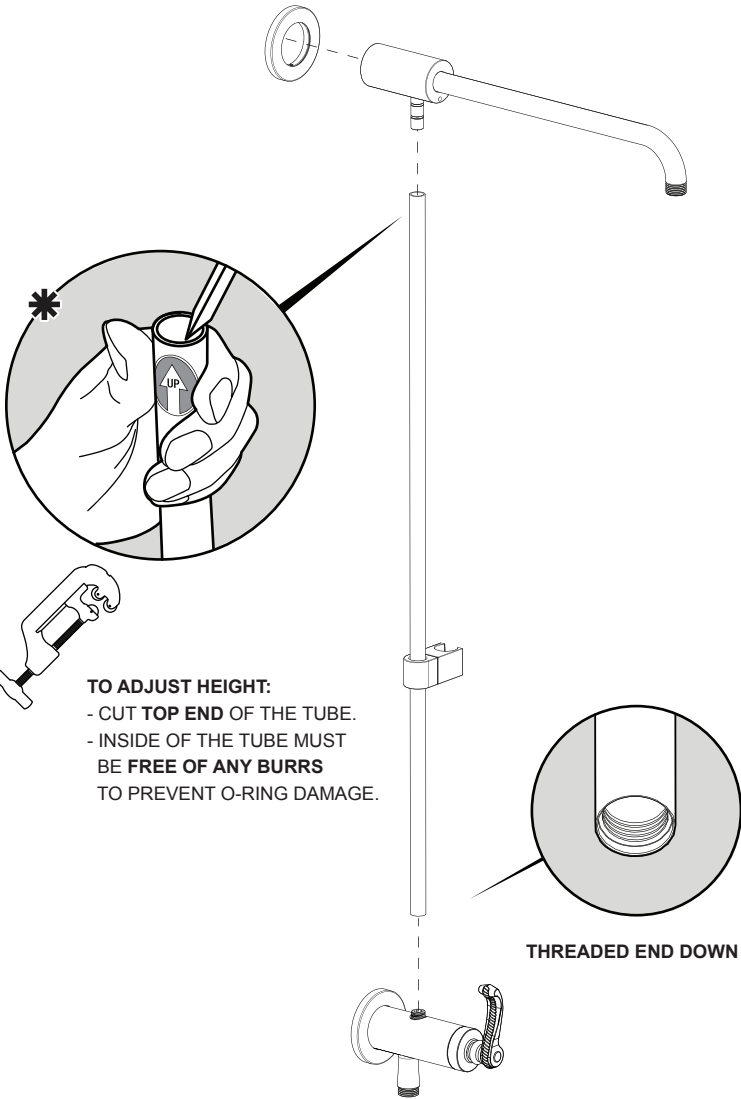
***MUST CUT FLUSH TO THE SLIP FIT ADAPTER**



O-RING

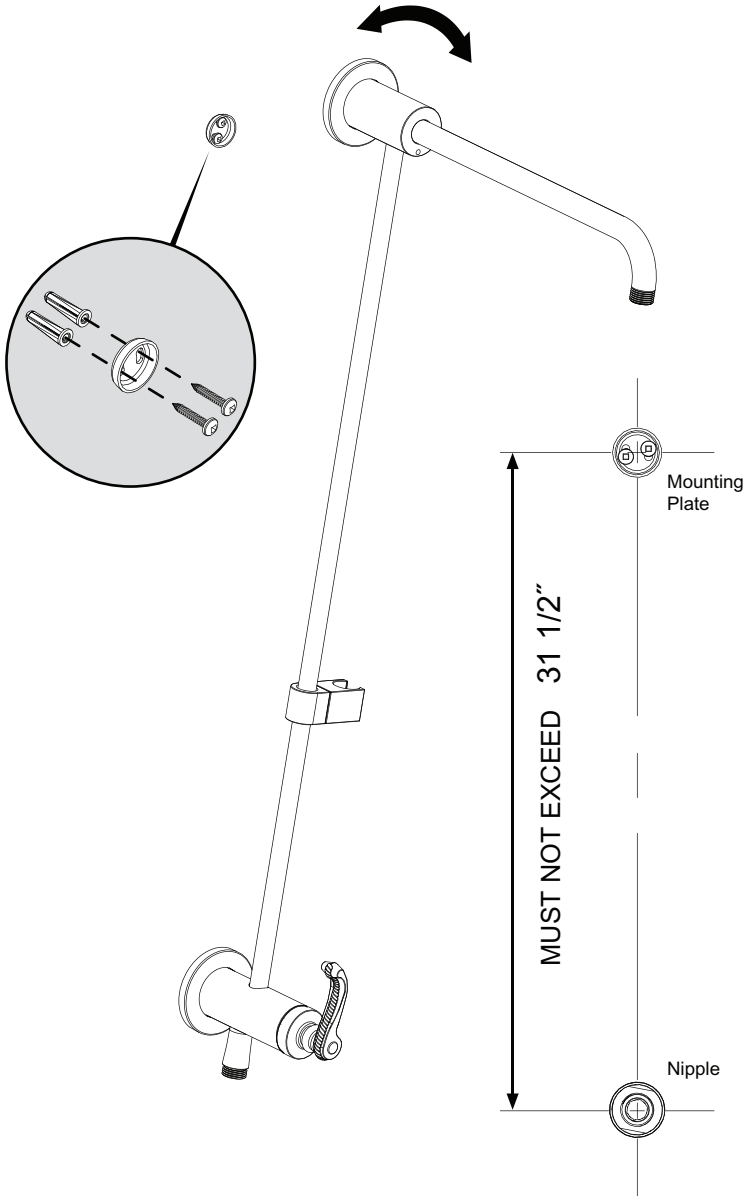


2

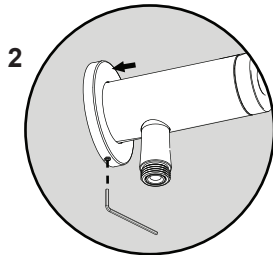
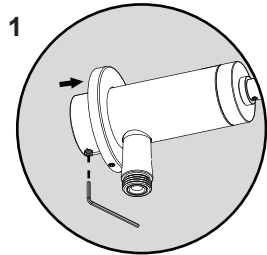
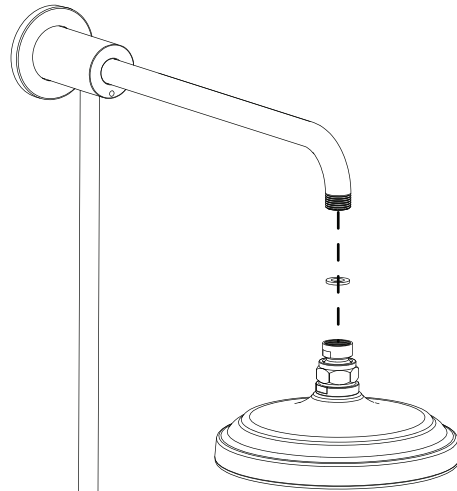
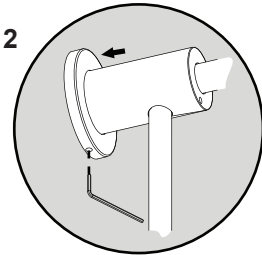
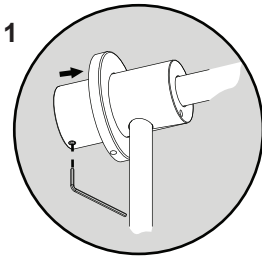


* Do not fasten set screws for Slide Bar adjustment later

3

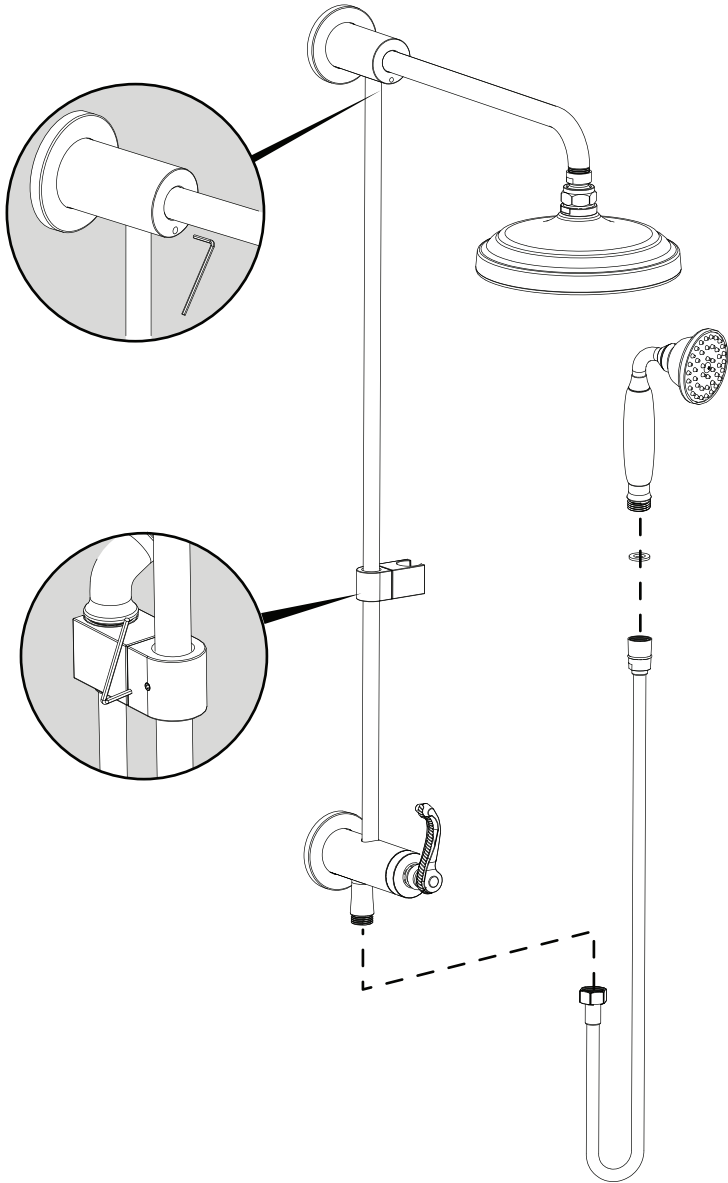


4



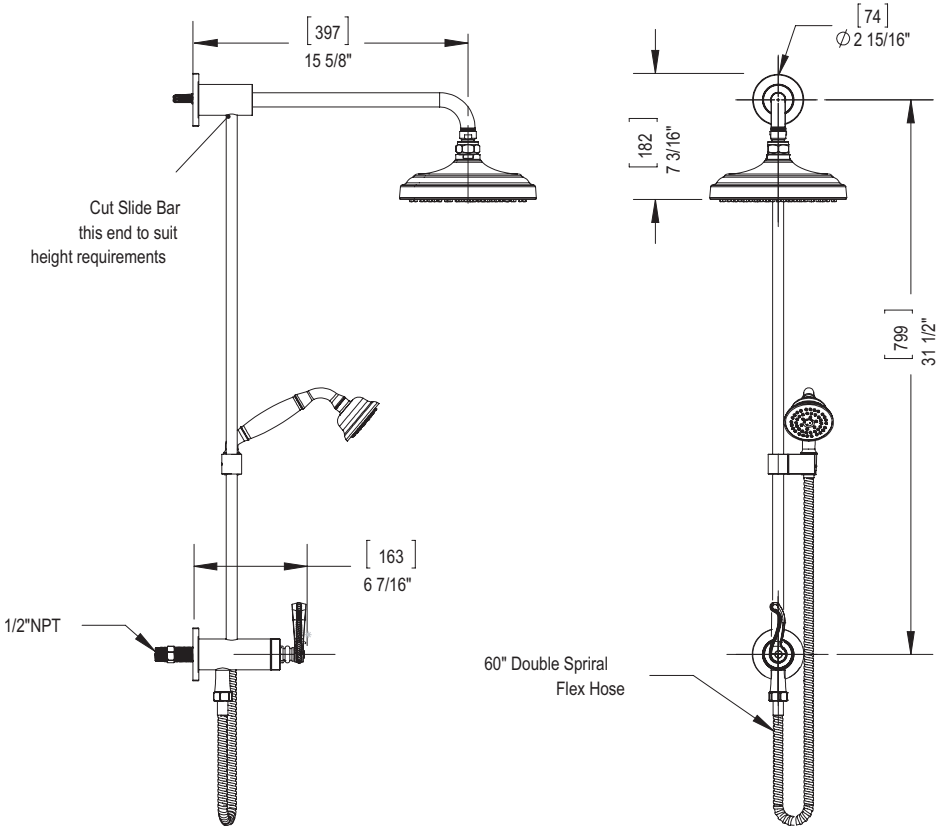
*Tighten all set screws before installing the Shower Head

5



FEATURES:

- Brass construction with choice of 21 finishes
- Requires tempered water supply
- Fixed Shower Head & Adjustable Hand Held Shower
- Quarter turn diverter mechanism
- 2.5 gpm @ 60 psi



CONTACT US:

If you need assistance with installation, replacement parts or have any questions regarding your Rubinet product, please call a Customer Service representative at: 905-851-6781 toll free 1-800-461-5901 or visit www.rubinet.com