

# artos<sup>®</sup>

TS073

## INSTALLATION GUIDE

trova thermostatic shower  
set with handheld, tub filler

BRUSHED NICKEL(BN)



CHROME(CH)



BLACK (BK)



# artos<sup>®</sup>

## TS073

trova thermostatic shower  
set with handheld, tub filler

## OPERATING SPECIFICATIONS



### FEATURES

Solid Brass  
3-Outlets

### OPERATING PRESSURE

Minimum: 15 psi  
Maximum: 75 psi  
Above 90 psi it may be necessary to install a pressure reducer

### OPERATING TEMPERATURE

Maximum: 176°

### FLOW CAPACITY

Hand Shower: 2.0 USGPM  
Shower Head: 1.8 USGPM  
Tub Filler: 6.0 USGPM

### APPROVAL



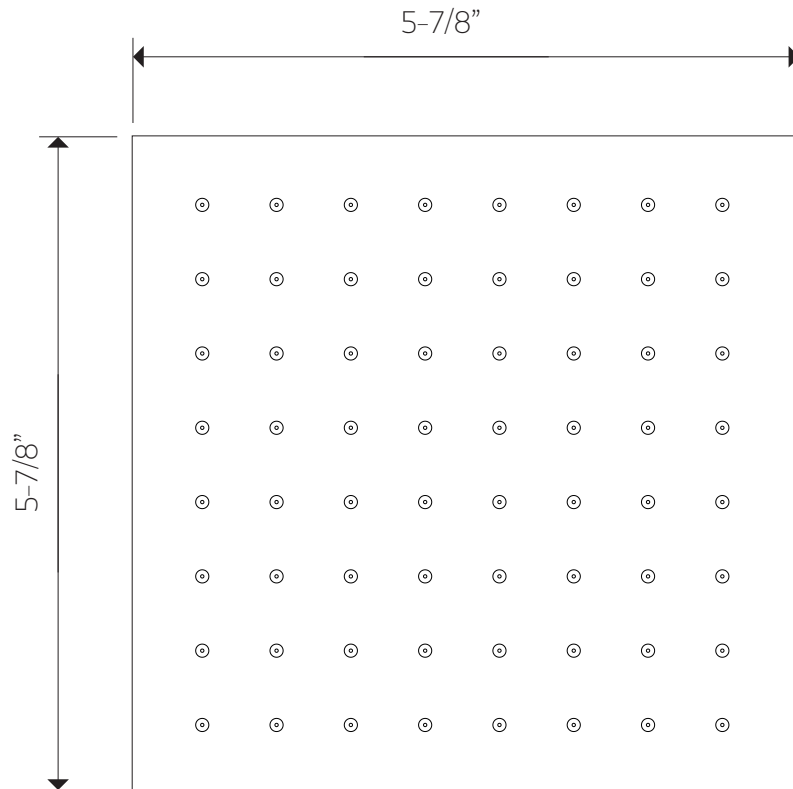
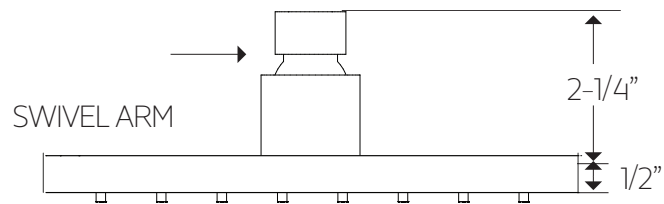
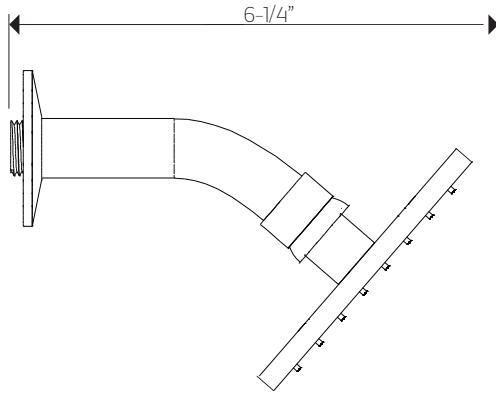
# artos<sup>®</sup>

## TS073

### PRODUCT DIMENSIONS

trova thermostatic shower  
set with handheld, tub filler

for showerhead



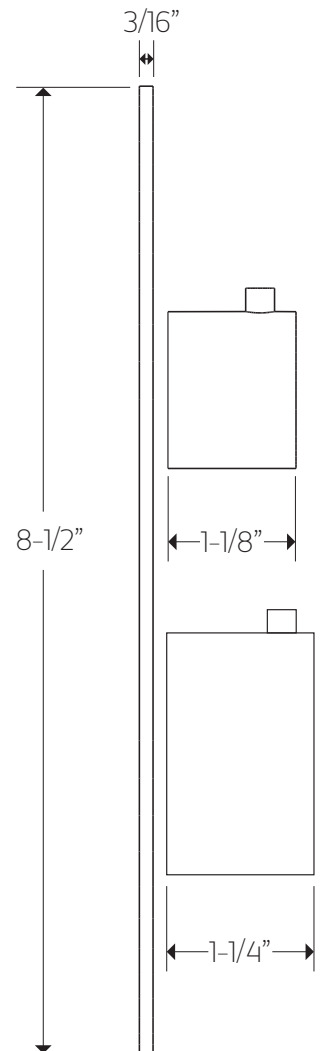
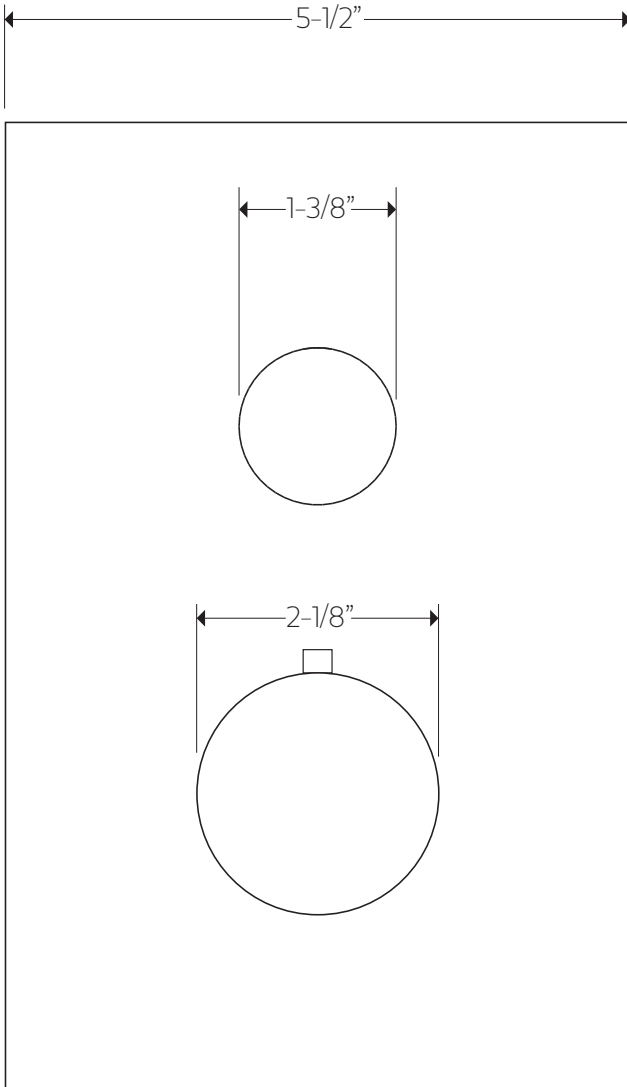
# artos<sup>®</sup>

## TS073

trova thermostatic shower  
set with handheld, tub filler

### PRODUCT DIMENSIONS

for trim kit



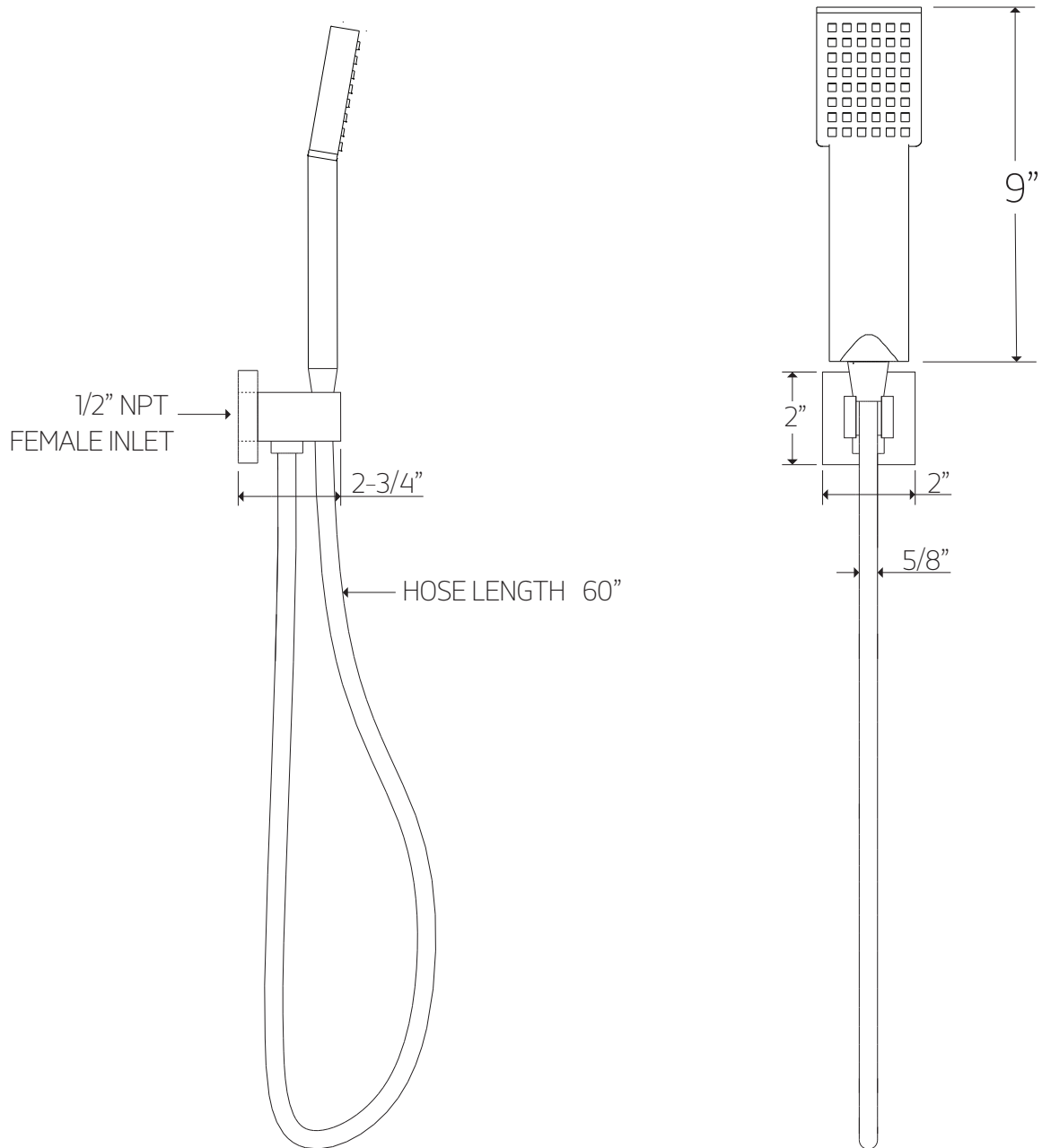
# artos<sup>®</sup>

## TS073

trova thermostatic shower  
set with handheld, tub filler

### PRODUCT DIMENSIONS

for handheld



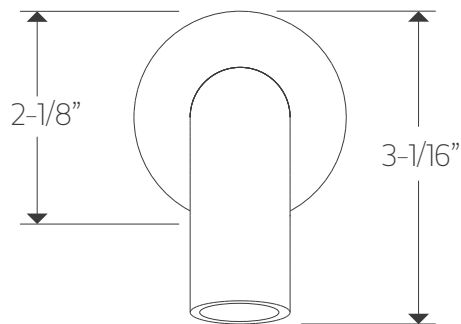
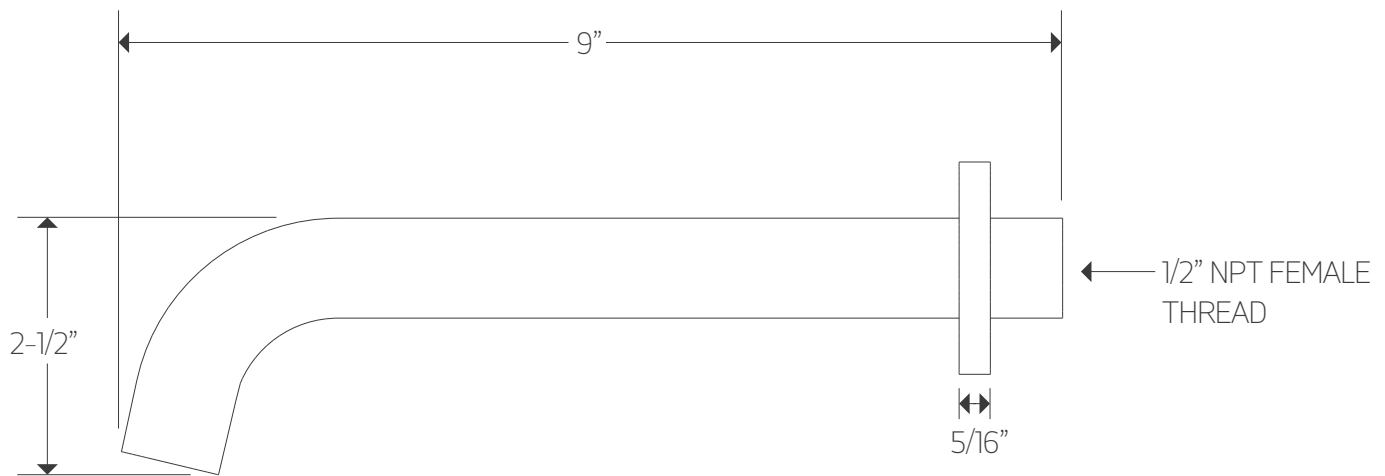
# artos<sup>®</sup>

## TS073

### PRODUCT DIMENSIONS

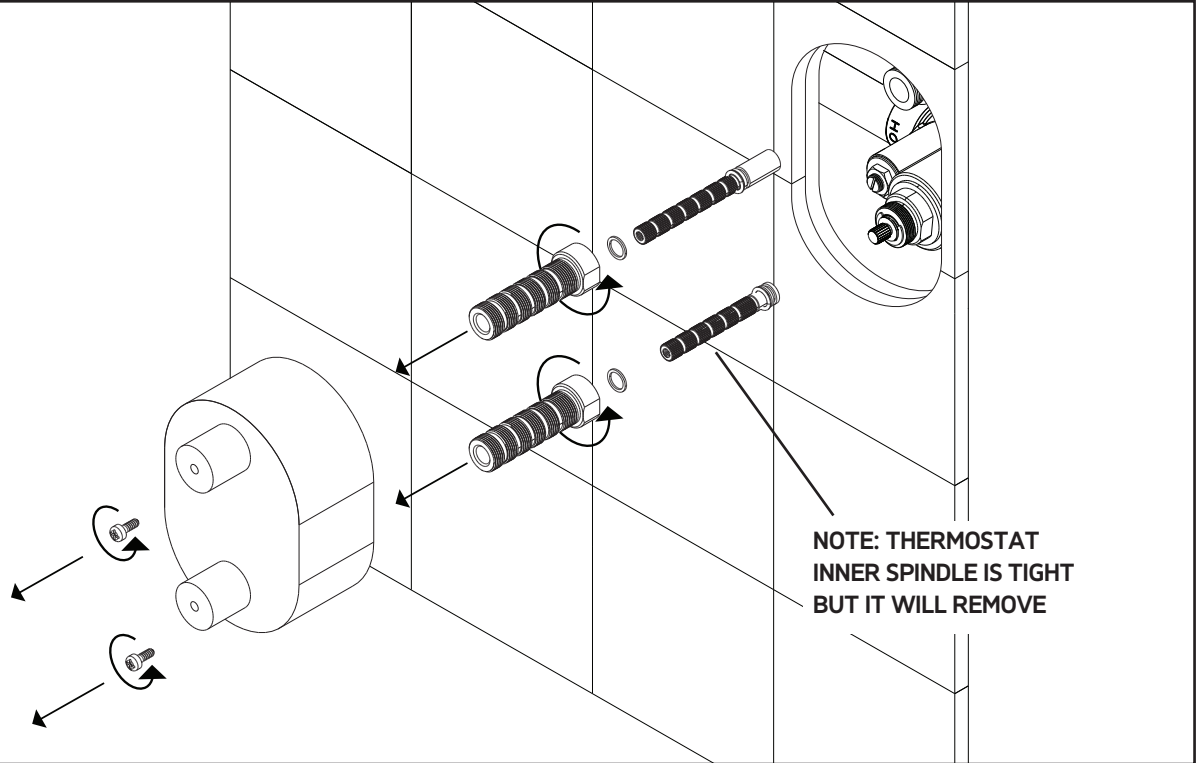
trova thermostatic shower  
set with handheld, tub filler

for tub filler

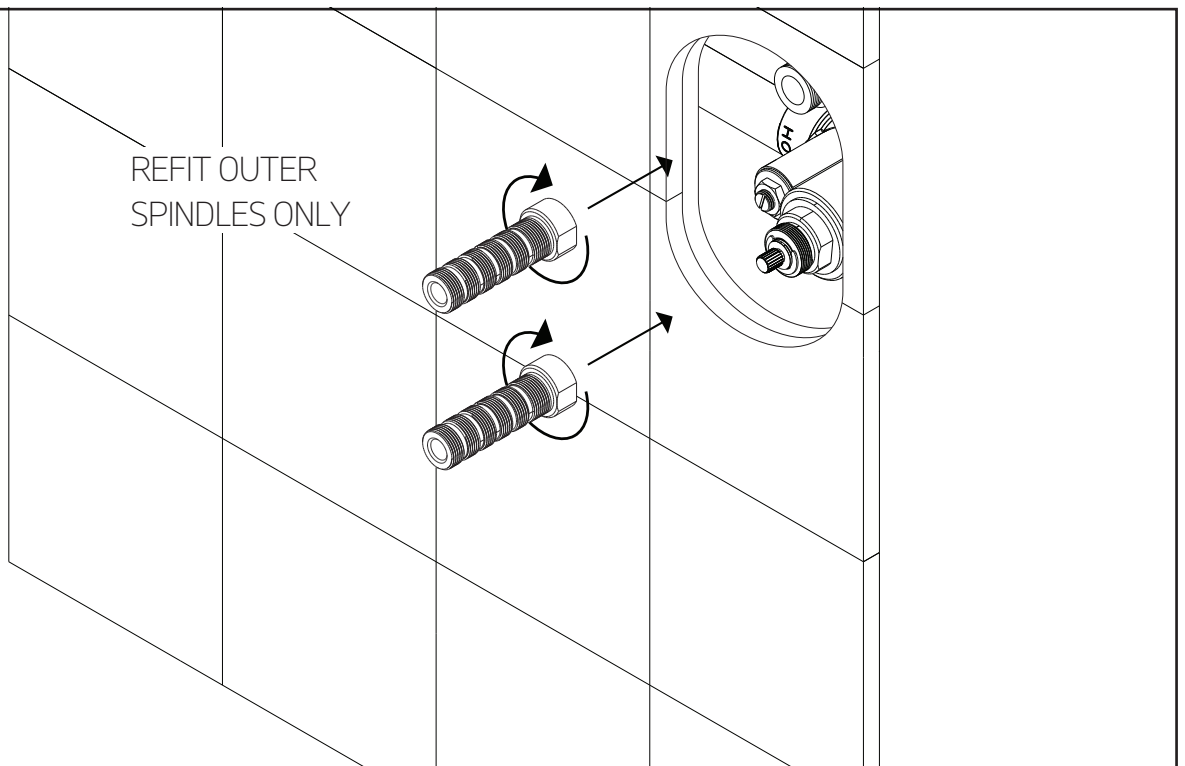


### valve trim kit

#### STEP 1



#### STEP 2

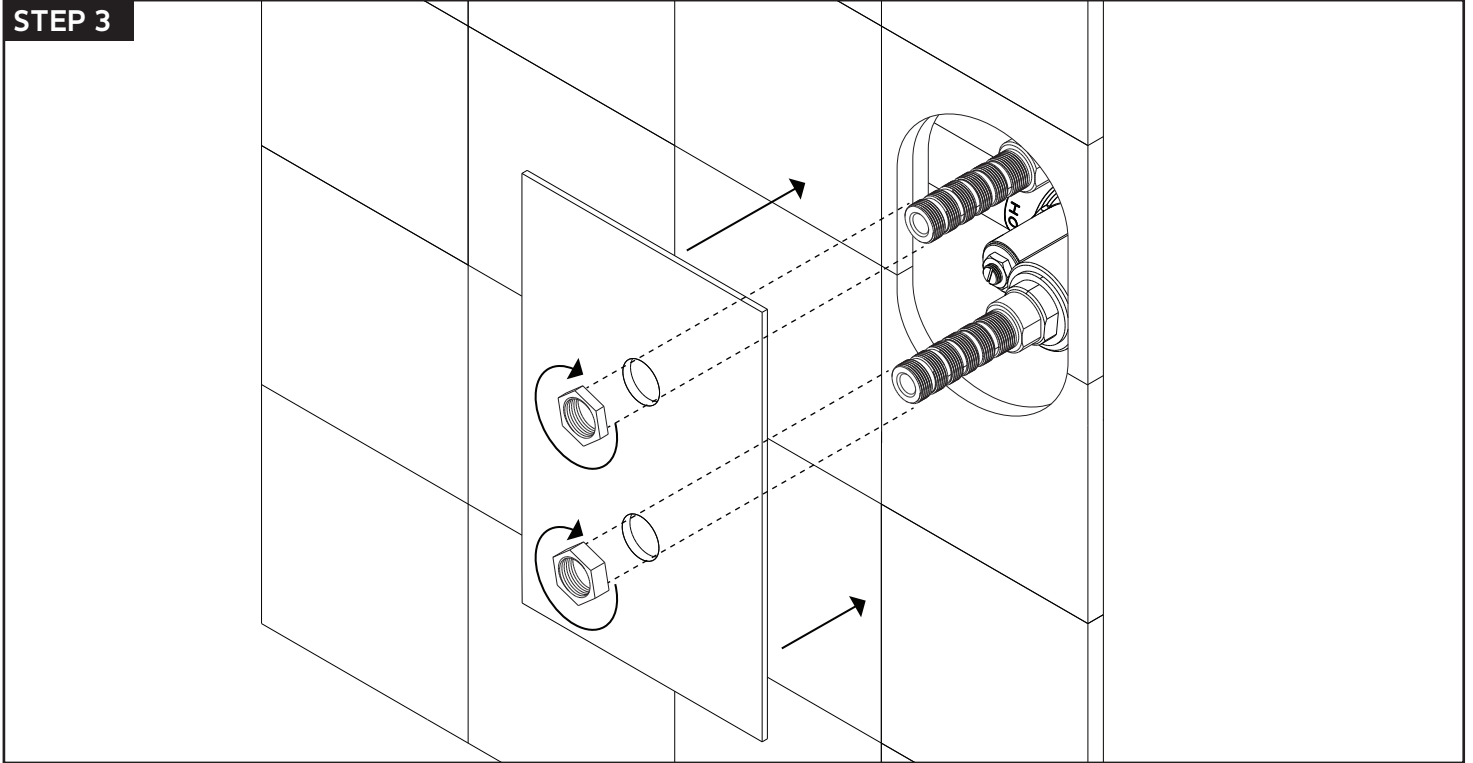


# artos<sup>®</sup>

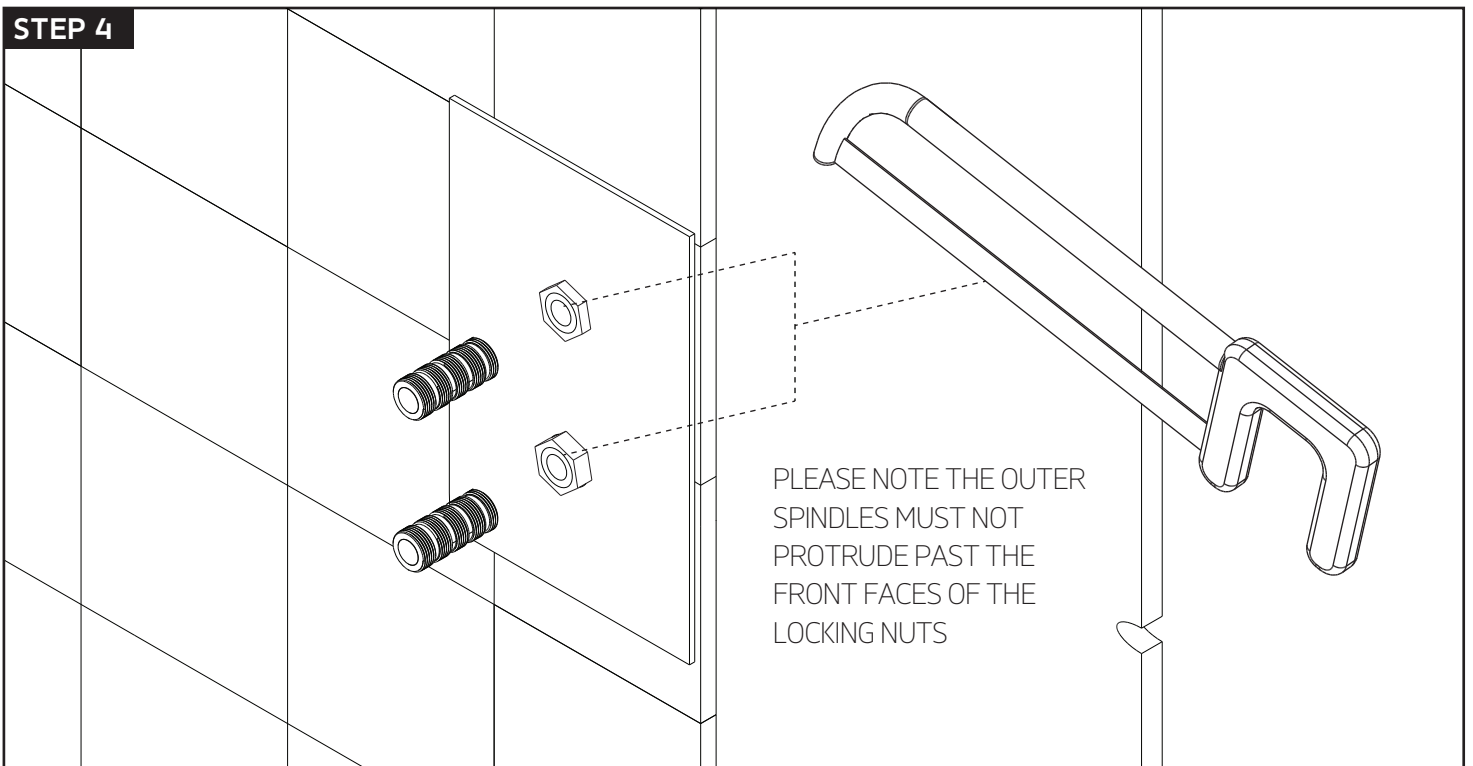
TS073

valve trim kit

## STEP 3



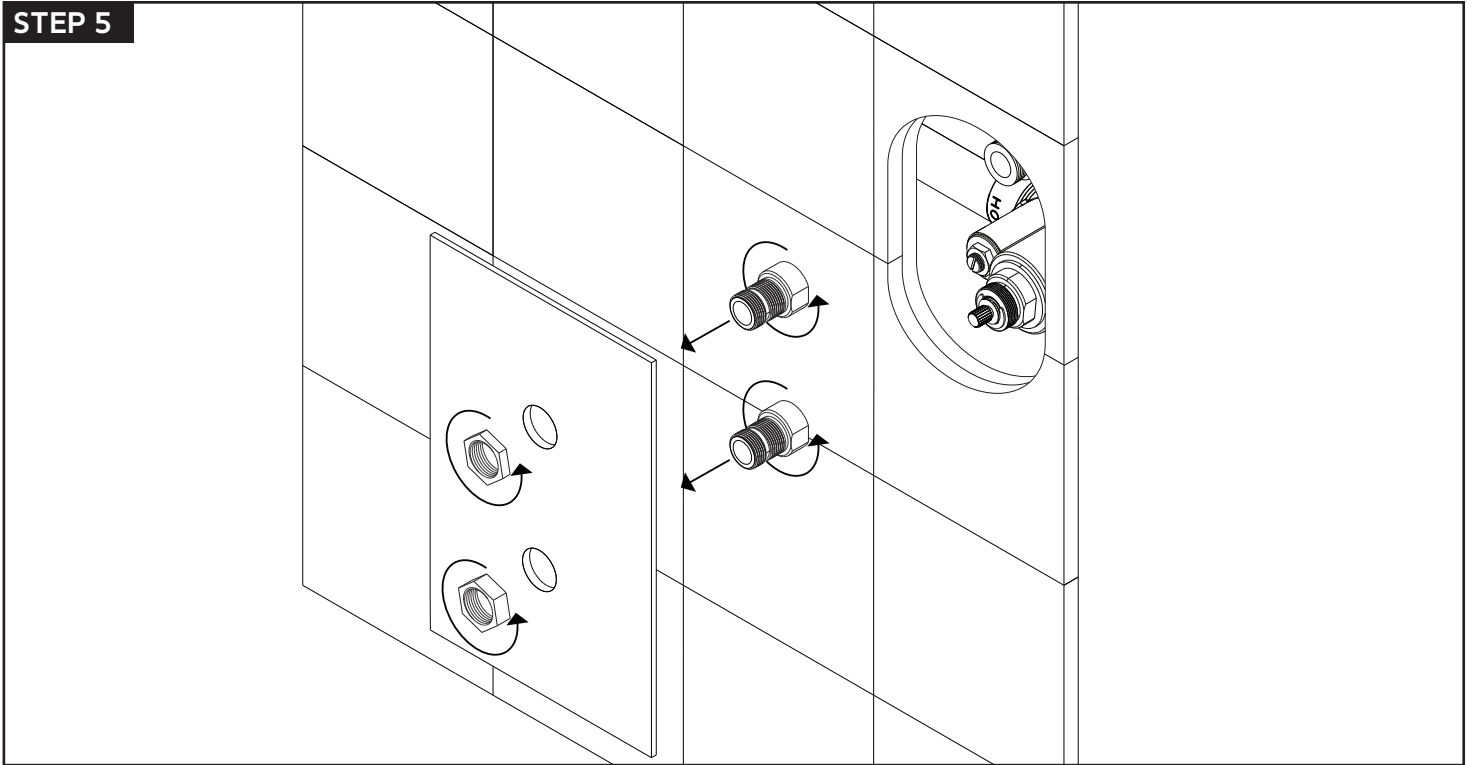
## STEP 4



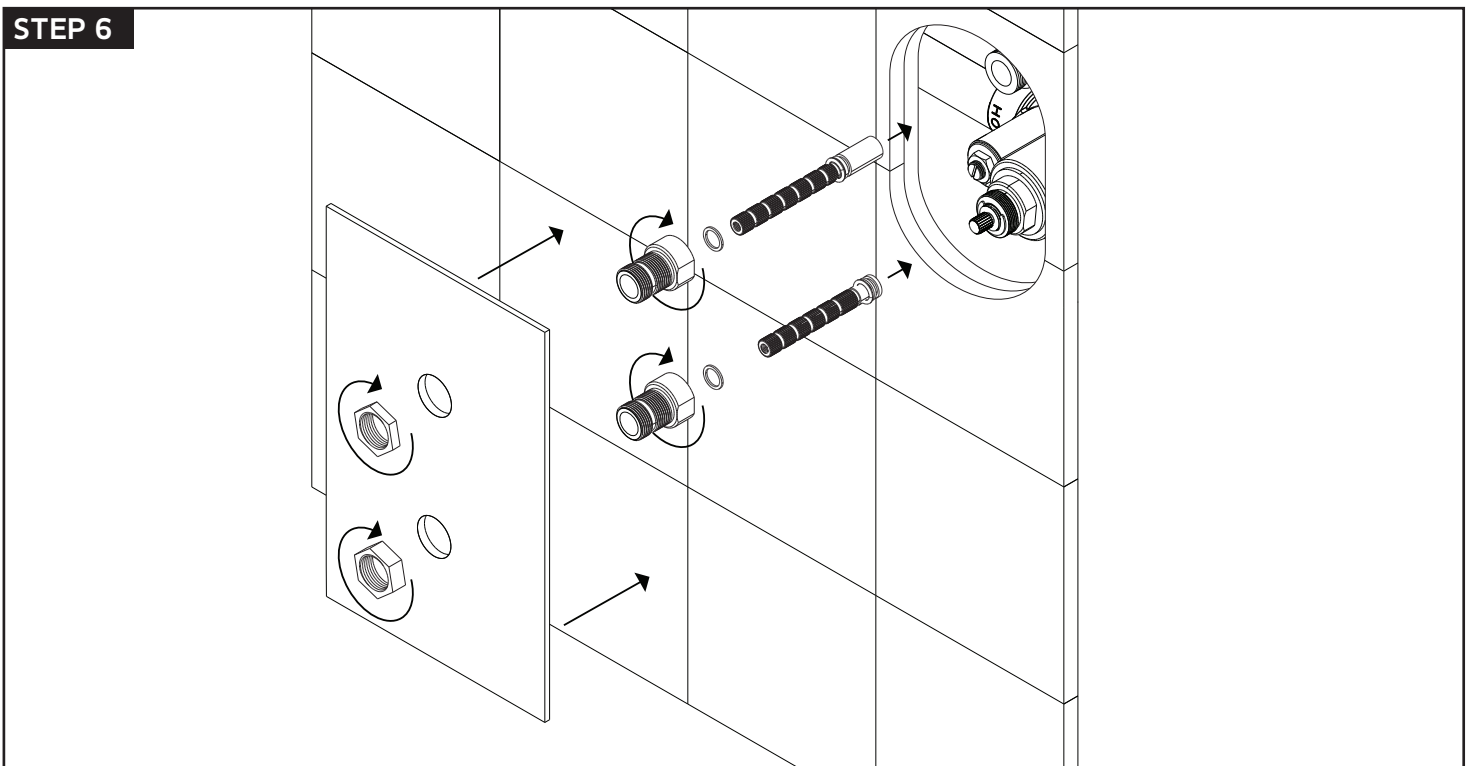


# INSTALLATION STEPS

## STEP 5



## STEP 6



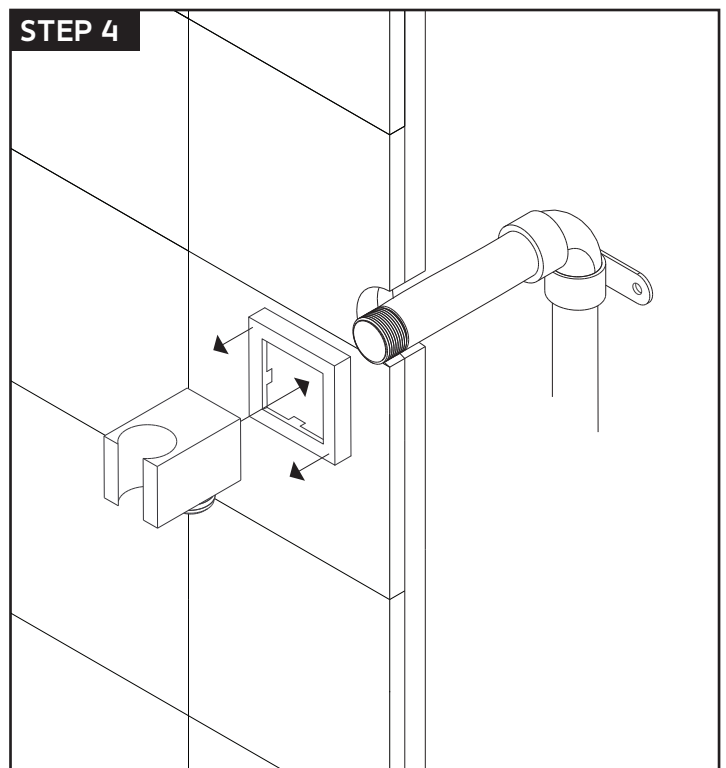
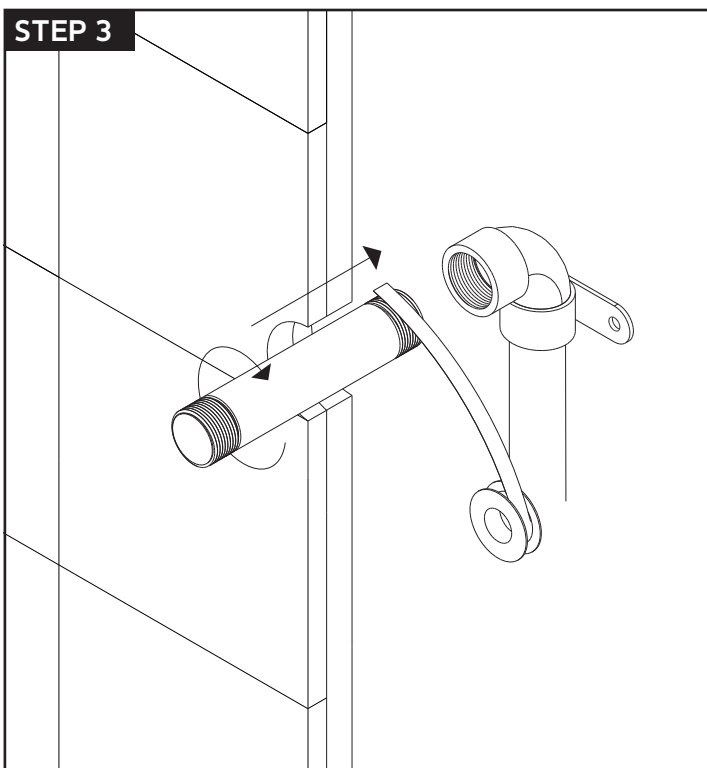
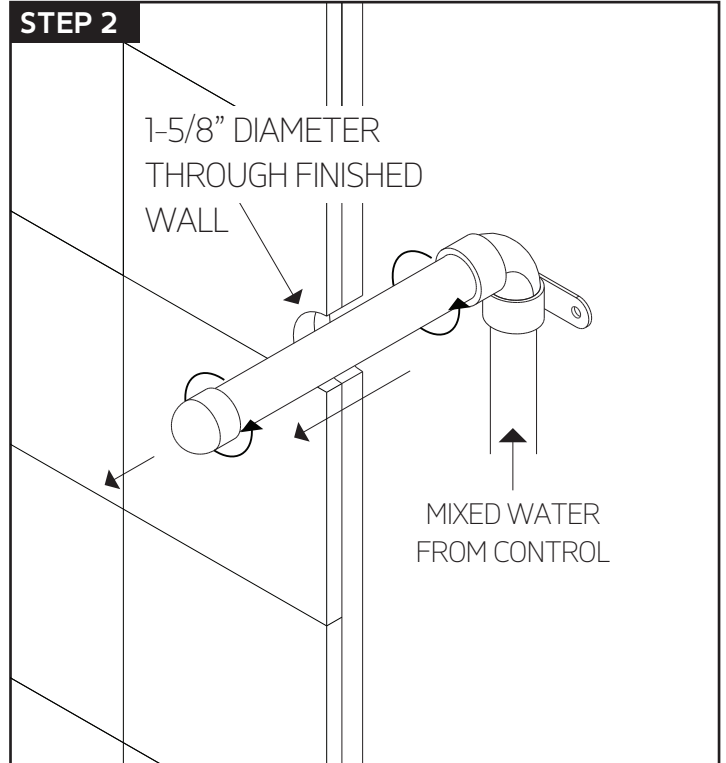
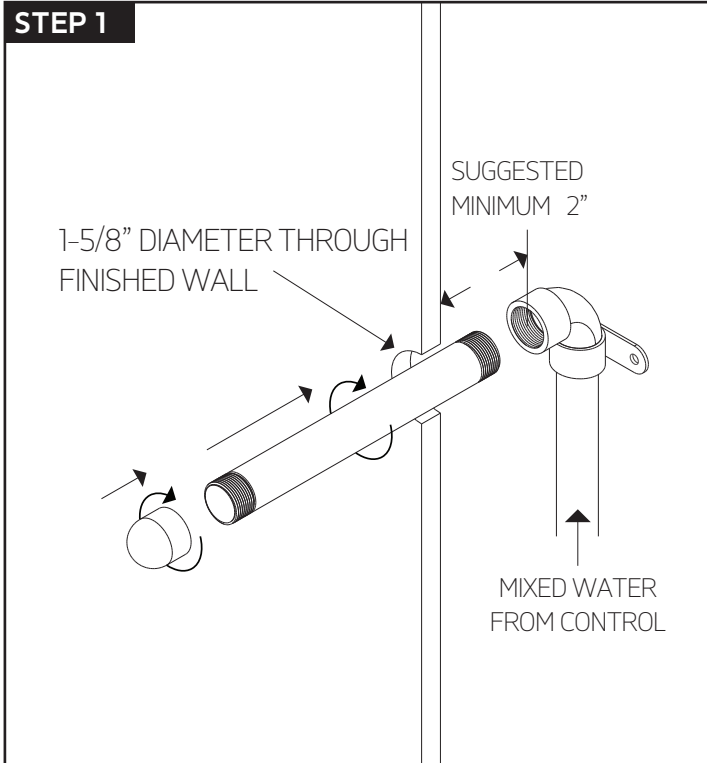


# artos<sup>®</sup>

TS073

## INSTALLATION STEPS

handheld



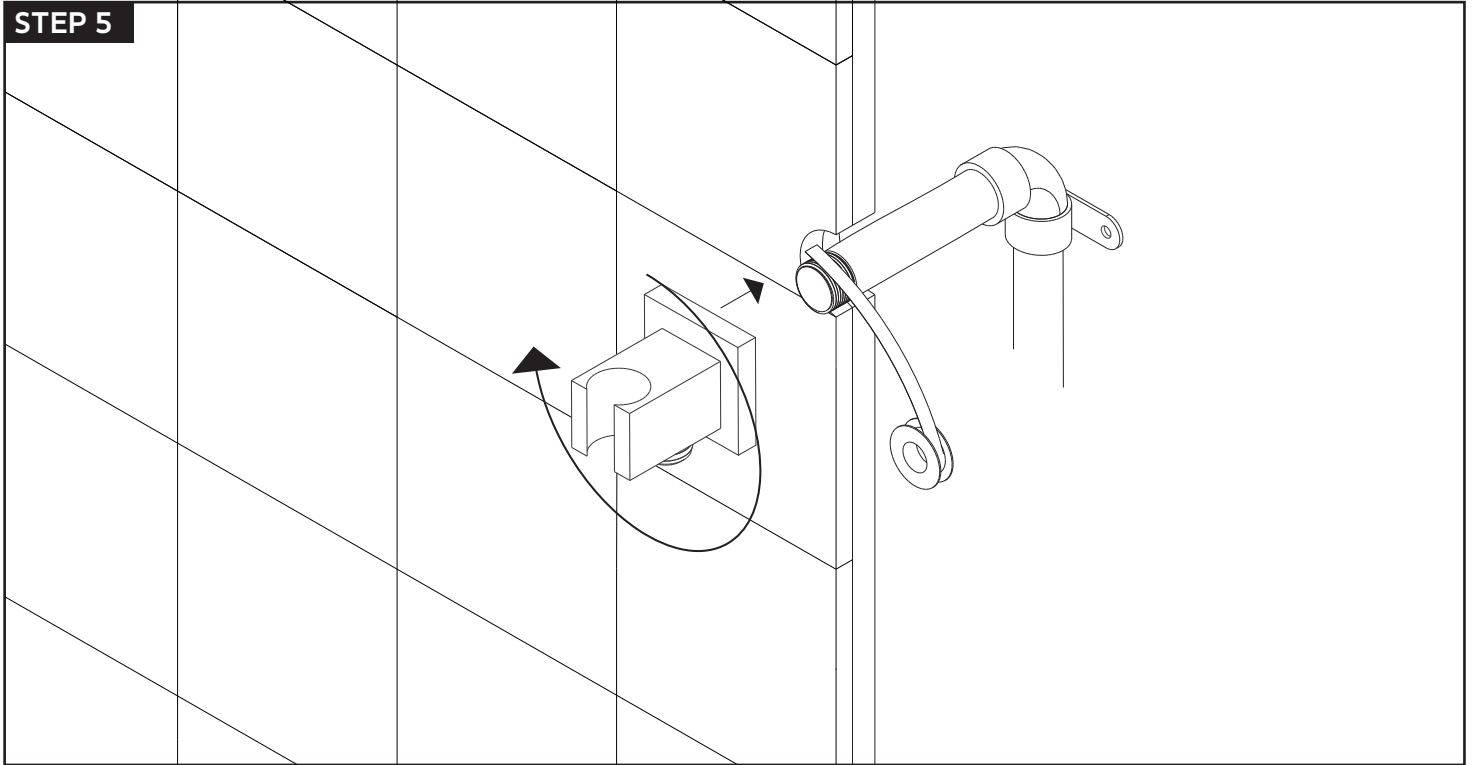
# artos<sup>®</sup>

TS073

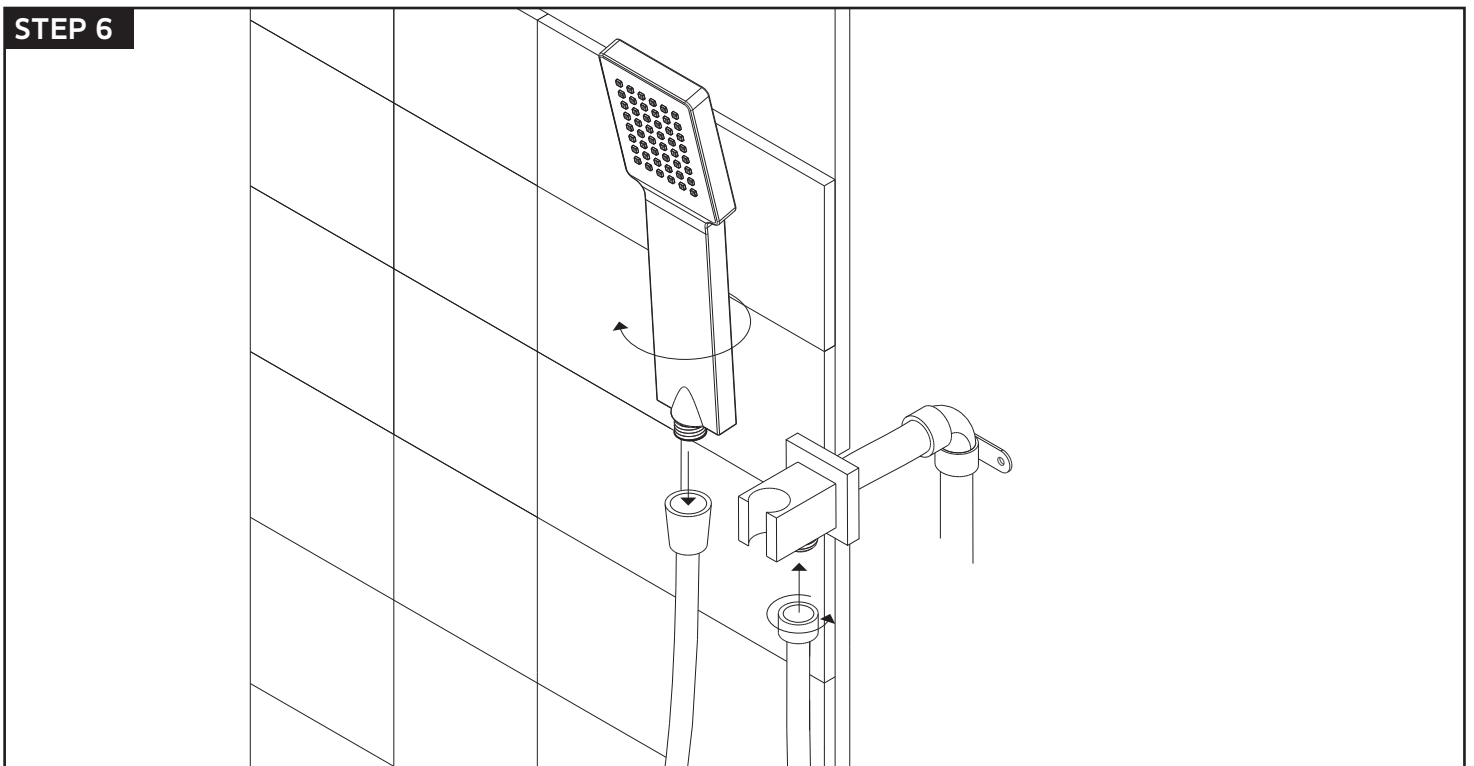
**INSTALLATION STEPS**

handheld

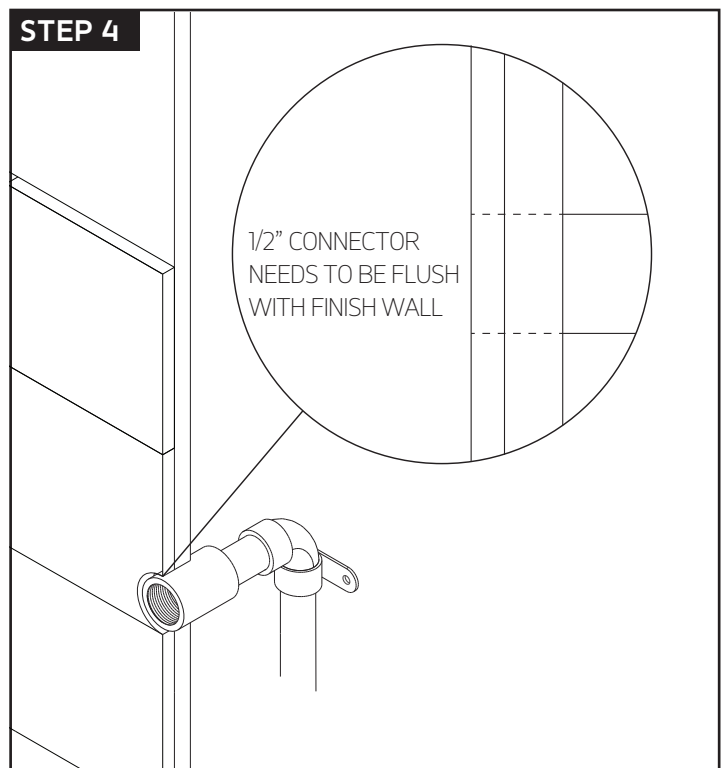
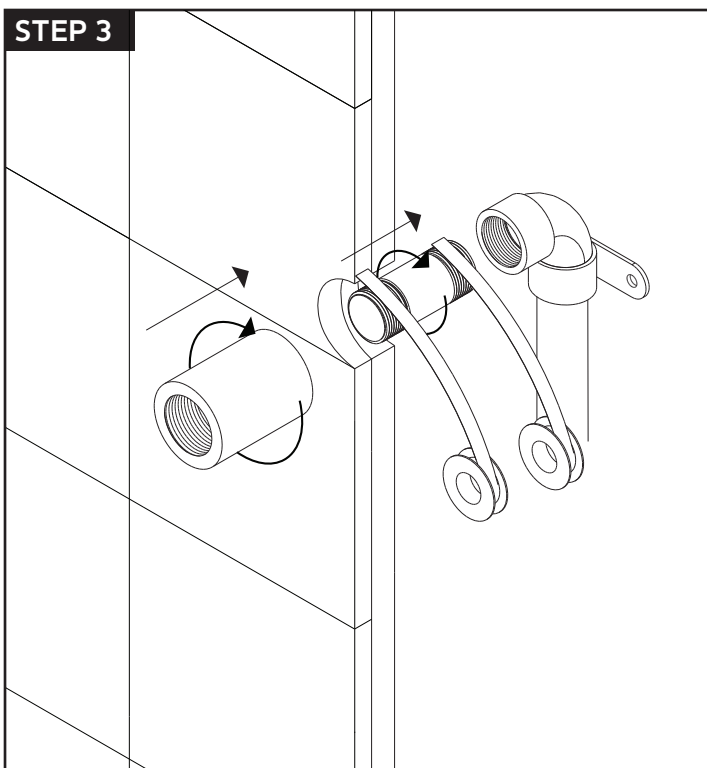
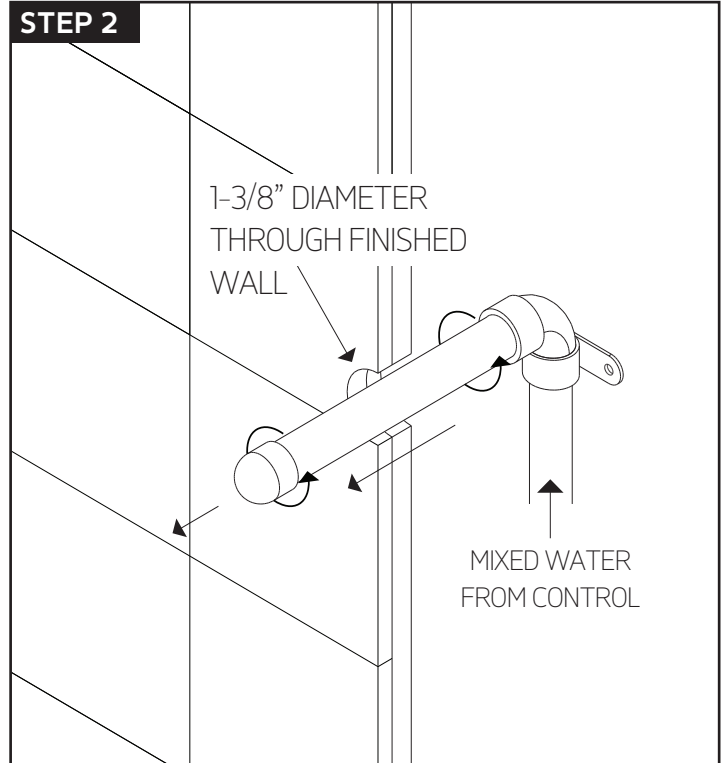
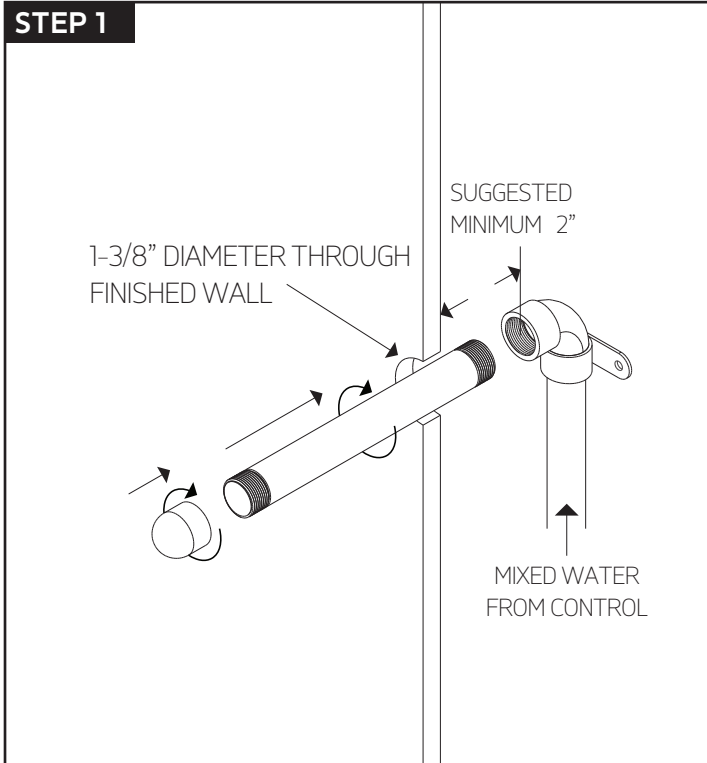
**STEP 5**



**STEP 6**



showerhead



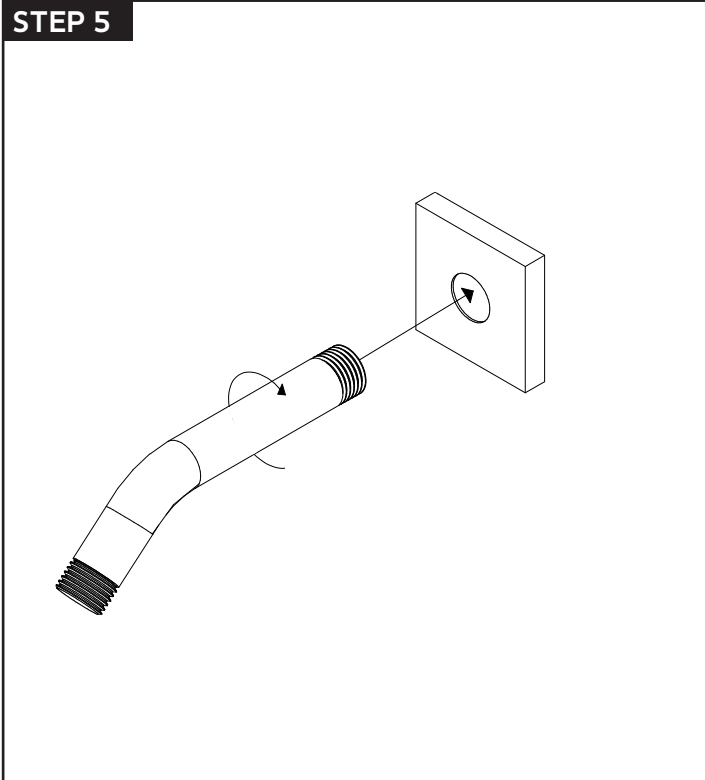
# artos<sup>®</sup>

TS073

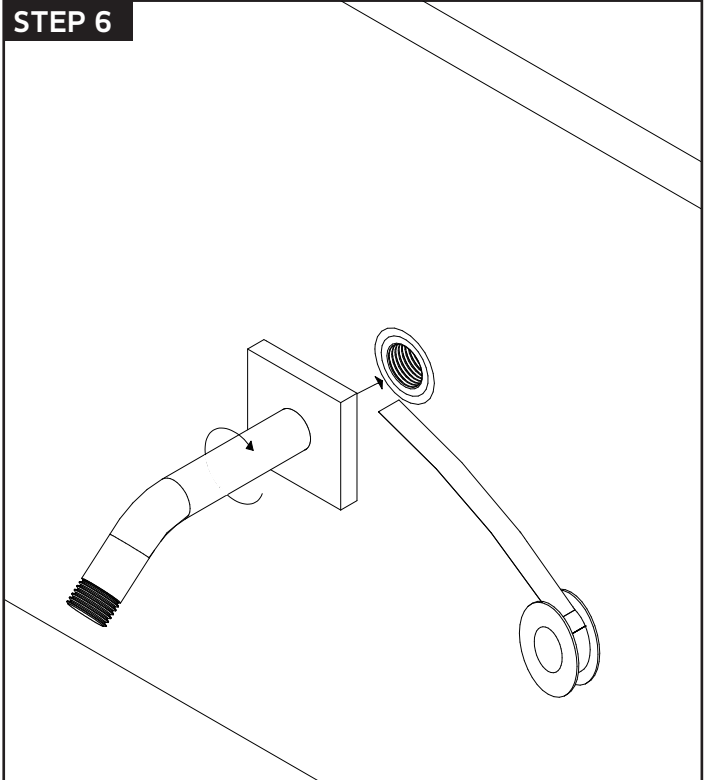
**INSTALLATION STEPS**

showerhead

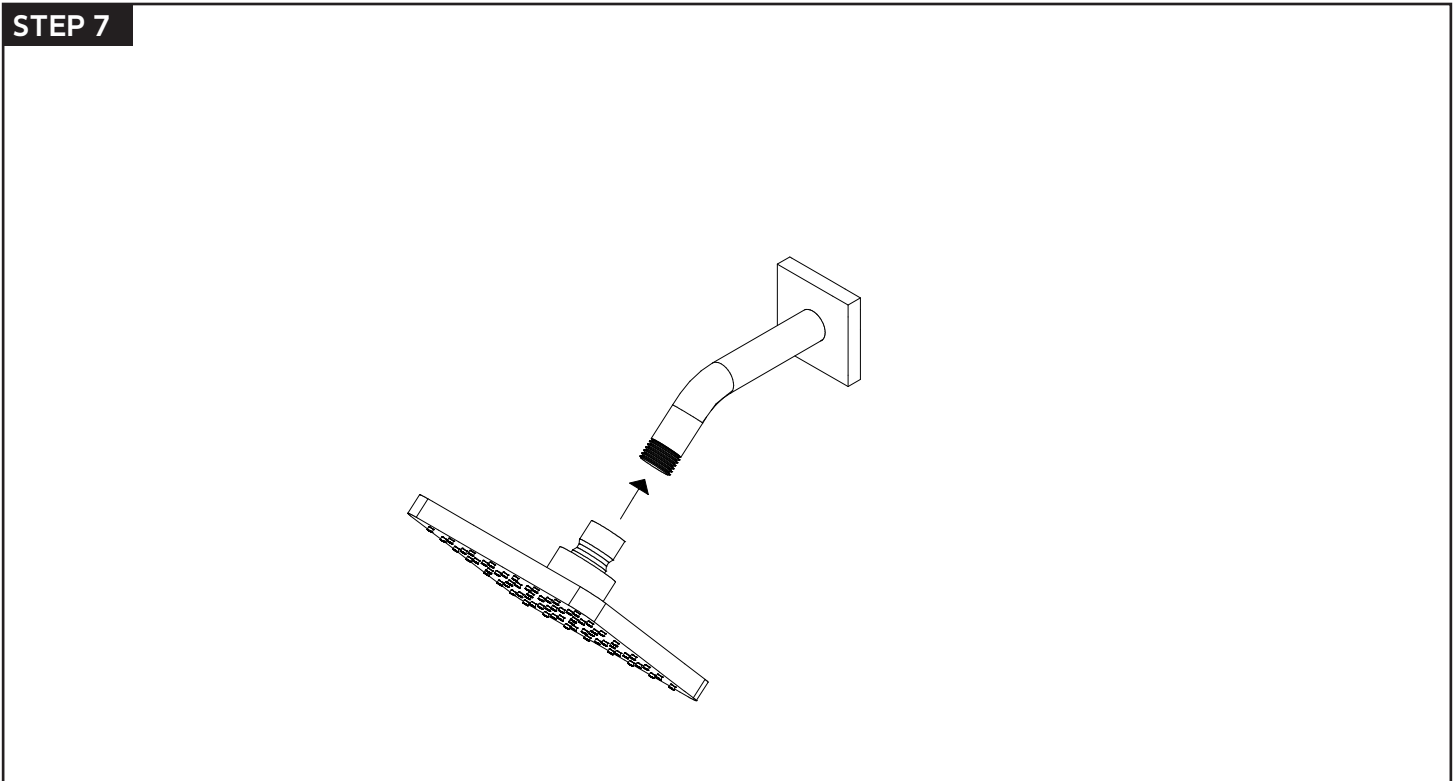
**STEP 5**



**STEP 6**

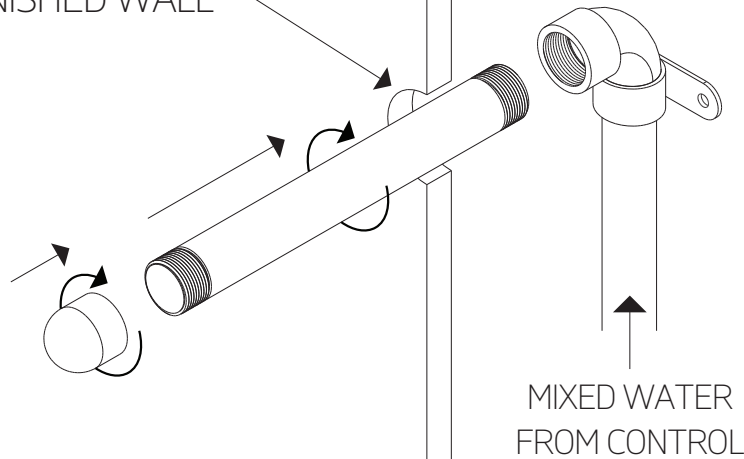


**STEP 7**



**STEP 1**

1-5/8" DIAMETER THROUGH  
FINISHED WALL

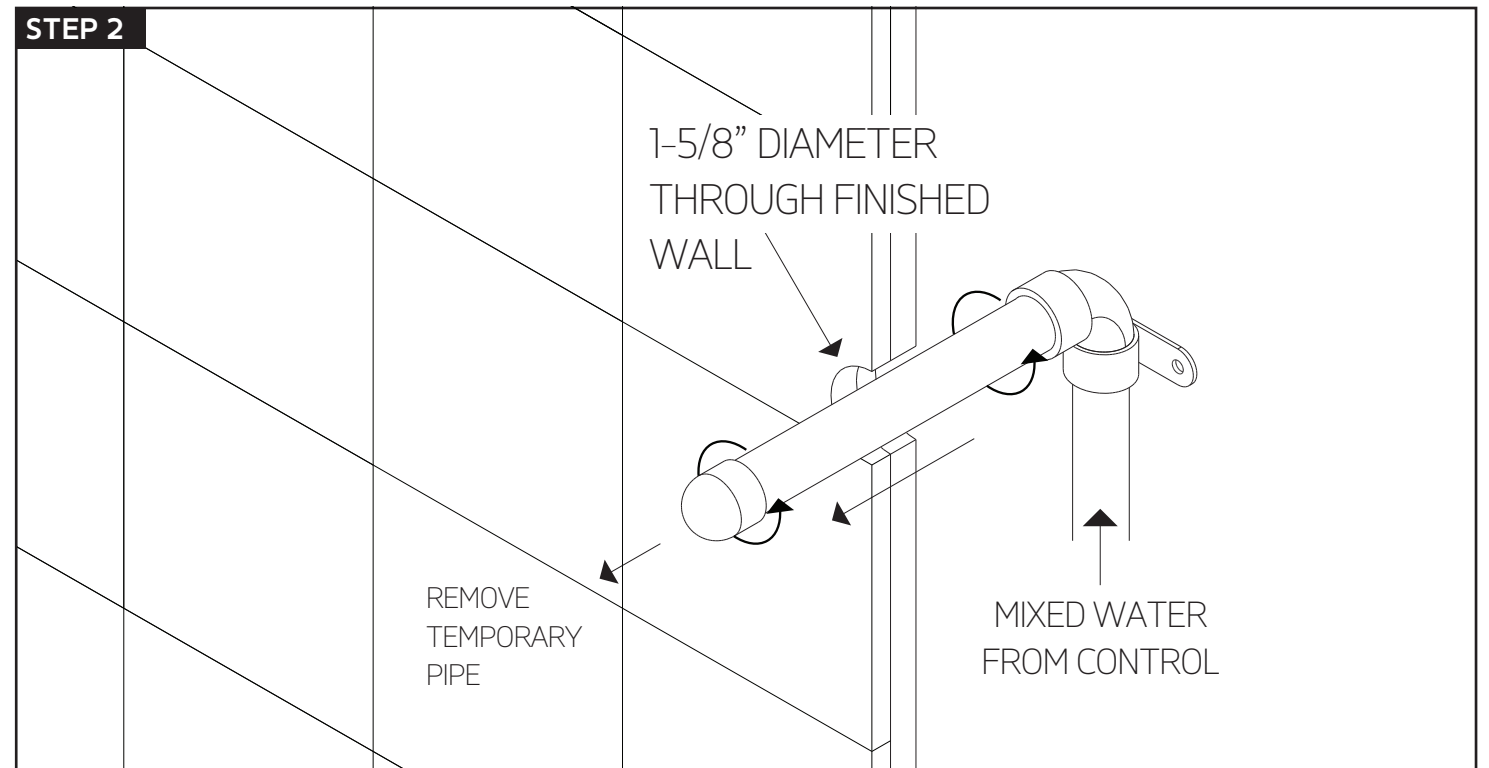


**STEP 2**

1-5/8" DIAMETER  
THROUGH FINISHED  
WALL

REMOVE  
TEMPORARY  
PIPE

MIXED WATER  
FROM CONTROL



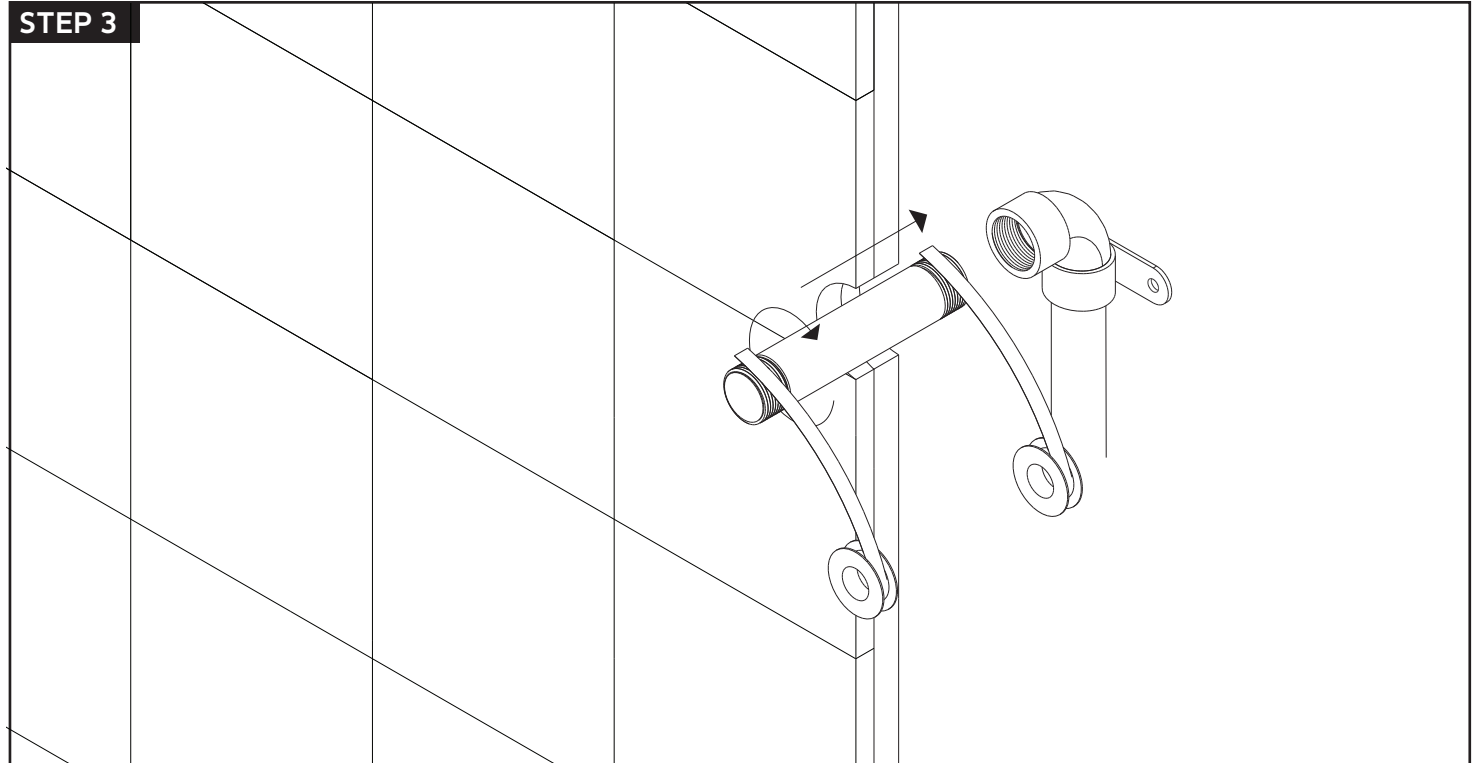
# artos<sup>®</sup>

TS073

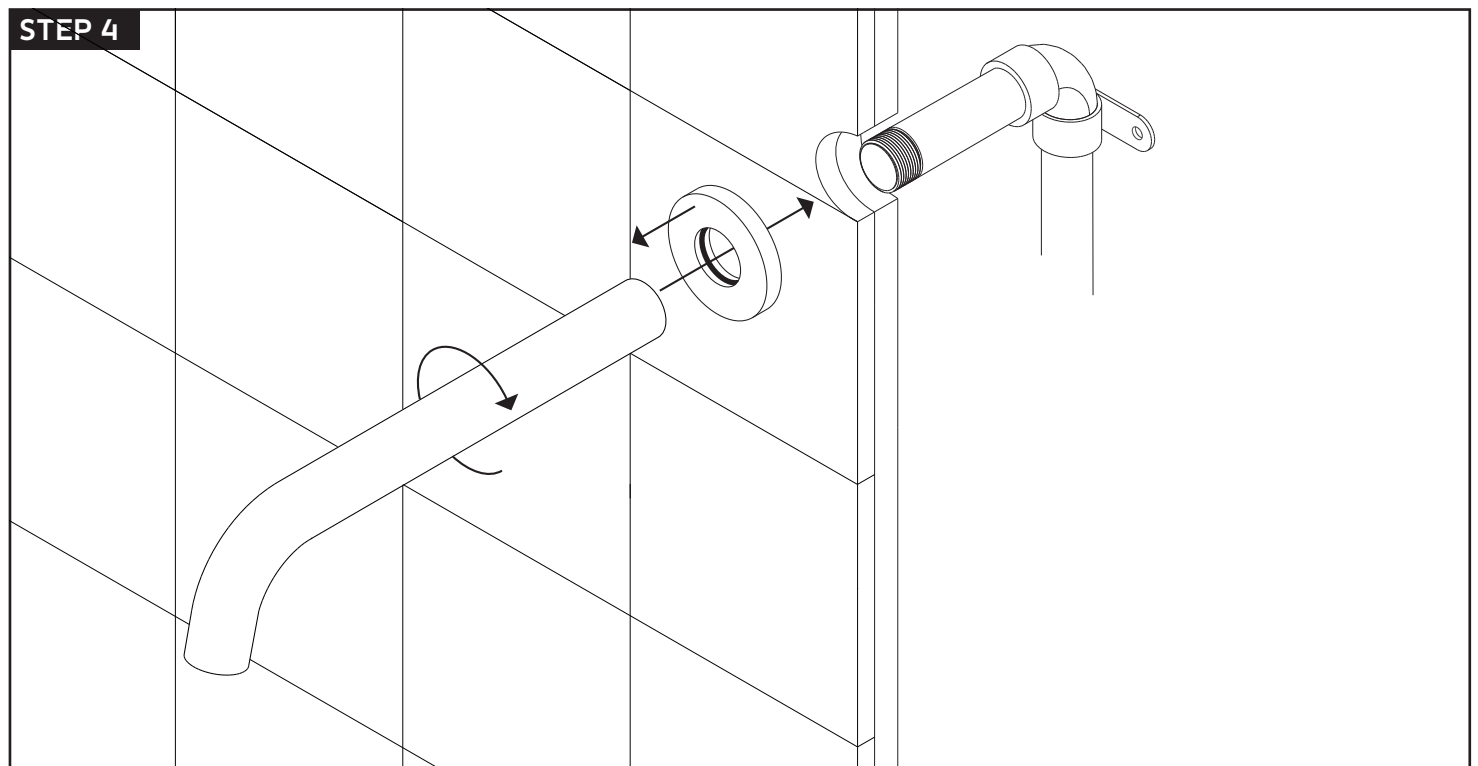
**INSTALLATION STEPS**

showerhead

**STEP 3**

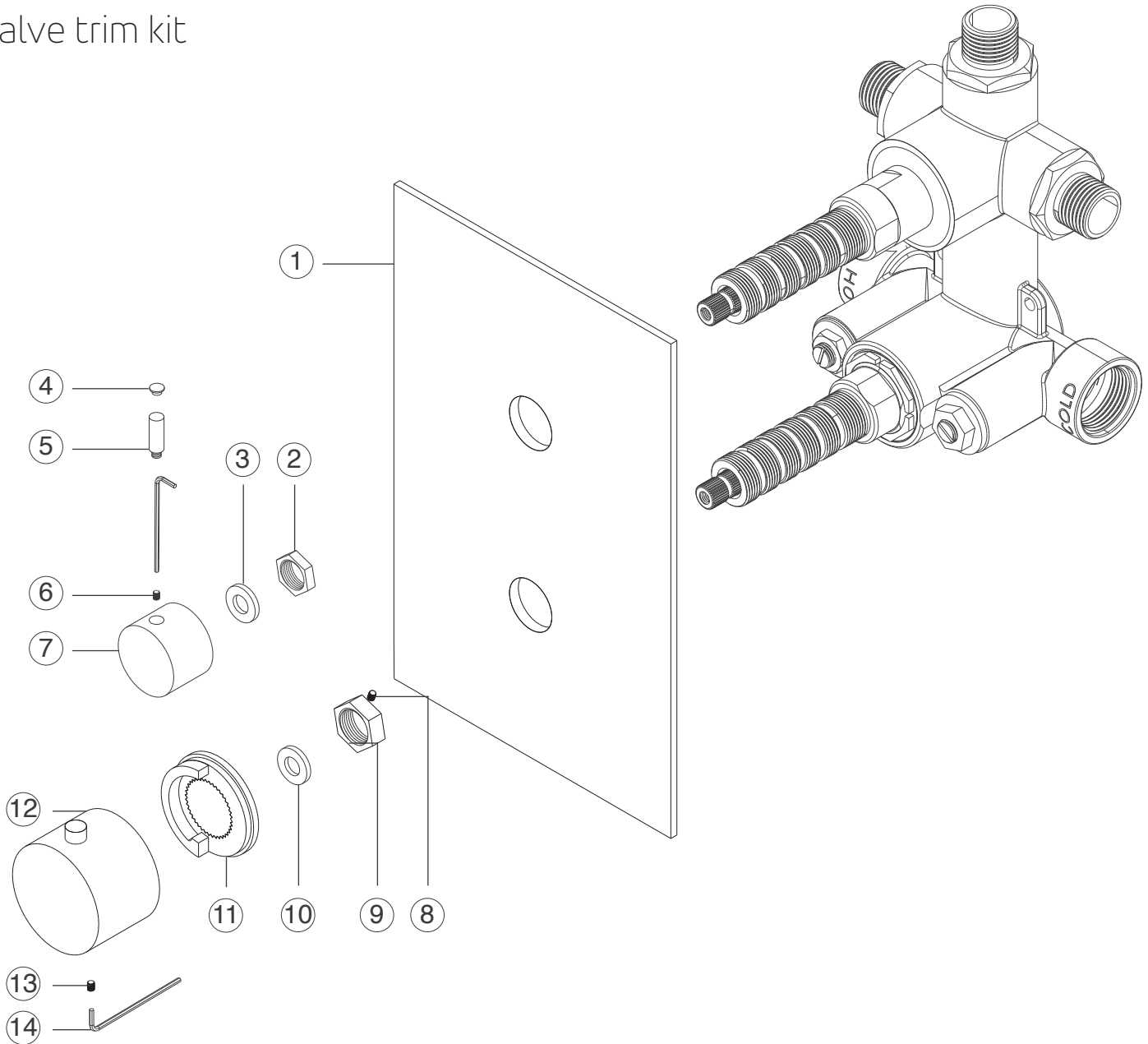


**STEP 4**





valve trim kit



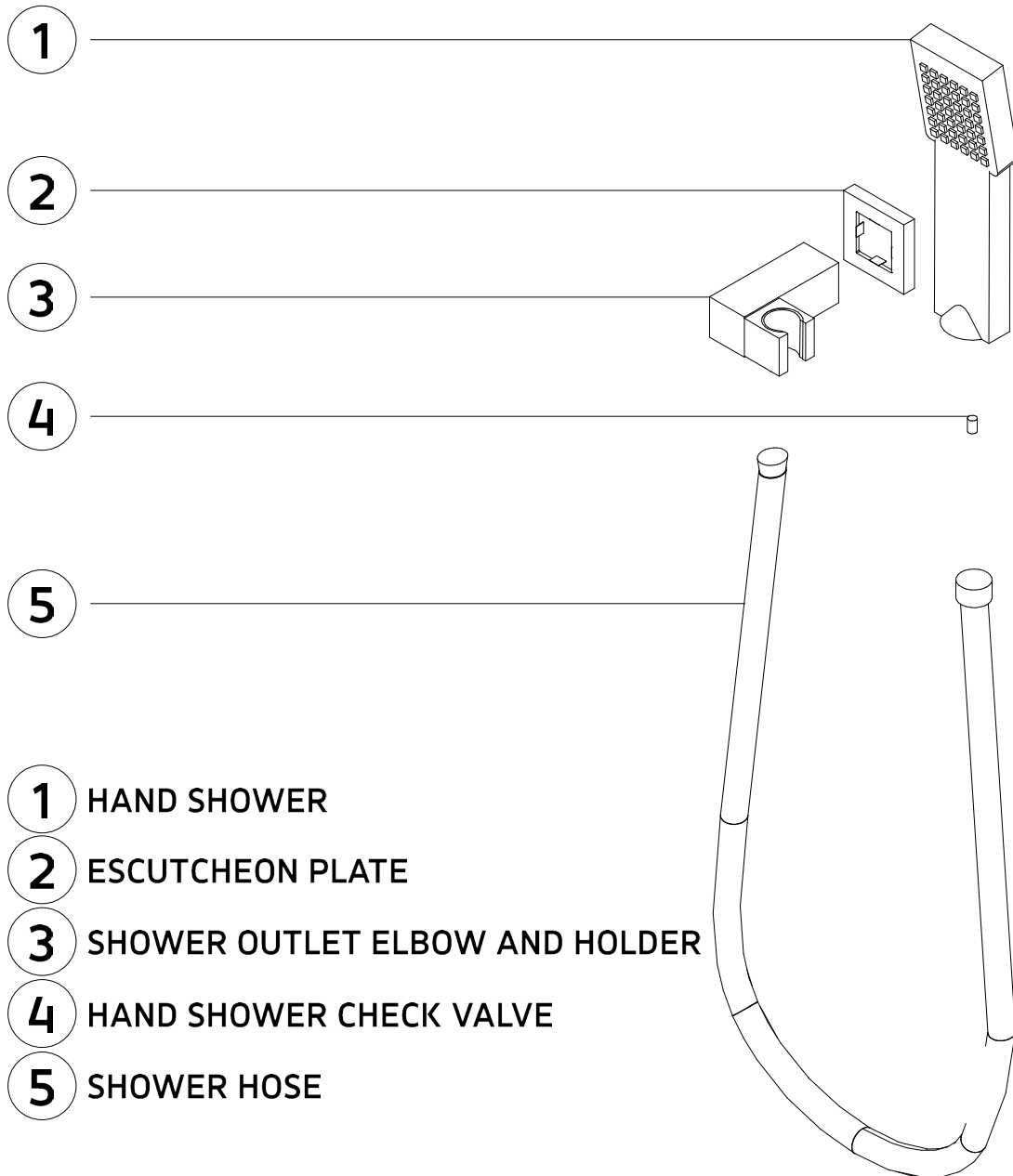
- |                        |                             |
|------------------------|-----------------------------|
| ① ESCUTCHEON           | ⑧ LOCKING NUT SET SCREW     |
| ② DIVERTER LOCKING NUT | ⑨ THERMOSTAT LOCKING NUT    |
| ③ NYLON WASHER         | ⑩ NYLON WASHER              |
| ④ HANDLE HOLE CAP      | ⑪ TEMPERATURE LIMITING RING |
| ⑤ DIVERTER HANDLE LEVE | ⑫ THERMOSTAT HANDLE         |
| ⑥ DIVERTER SET SCREW   | ⑬ THERMOSTAT SET SCREW      |
| ⑦ DIVERTER HANDLE      | ⑭ ALLEN WRENCH              |

# artos<sup>®</sup>

TS073

## PARTS BREAKDOWN

handheld



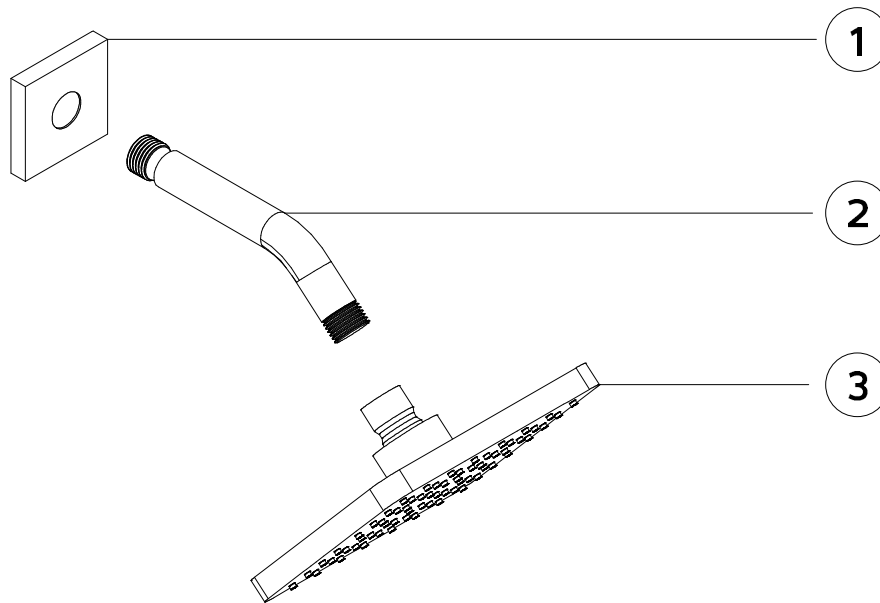
- 1** HAND SHOWER
- 2** ESCUTCHEON PLATE
- 3** SHOWER OUTLET ELBOW AND HOLDER
- 4** HAND SHOWER CHECK VALVE
- 5** SHOWER HOSE

# artos<sup>®</sup>

TS073

**PARTS BREAKDOWN**

showerhead



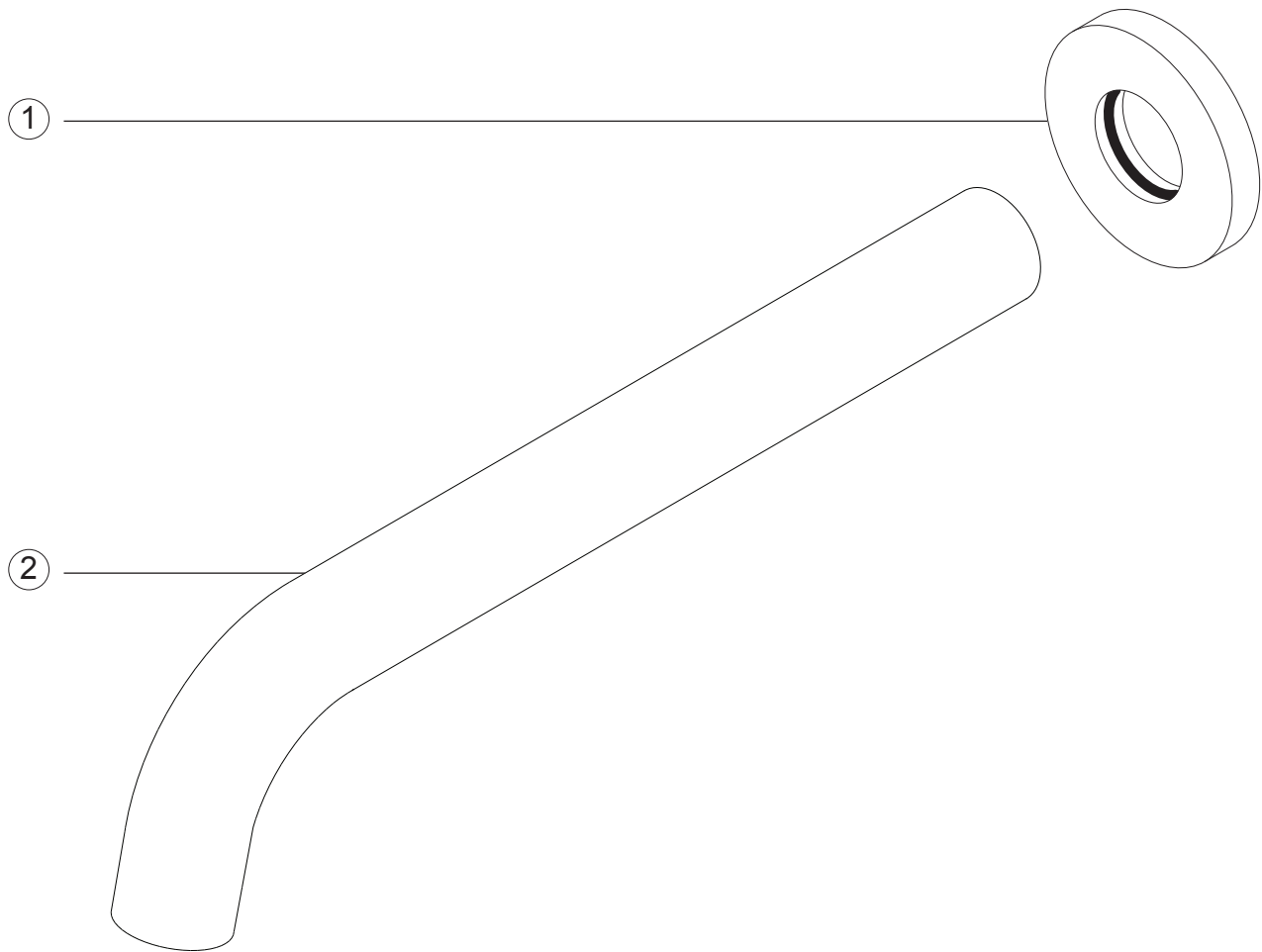
- 1** SHOWER ARM ESCUTCHEON
- 2** SHOWER ARM
- 3** SHOWER HEAD

# artos<sup>®</sup>

TS073

**PARTS BREAKDOWN**

showerhead



① ESCUTCHEON

② TUB FILLER SPOUT