

# artos<sup>®</sup>

TS083

trova shower set

## OPERATING SPECIFICATIONS



### FEATURES

Solid Brass  
3-Outlets

### OPERATING PRESSURE

Minimum: 15 psi  
Maximum: 75 psi  
Above 90psi it may be necessary to install a pressure reducer

### OPERATING TEMPERATURE

Maximum: 176°

### FLOW CAPACITY

Hand Shower: 2.0 USGPM  
Shower Head: 1.8 USGPM  
Tub Filler: 6.0 USGPM

### F901-8 APPROVAL



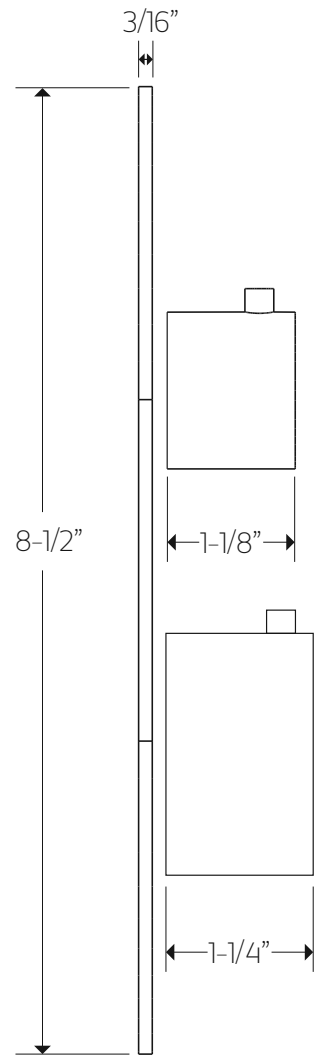
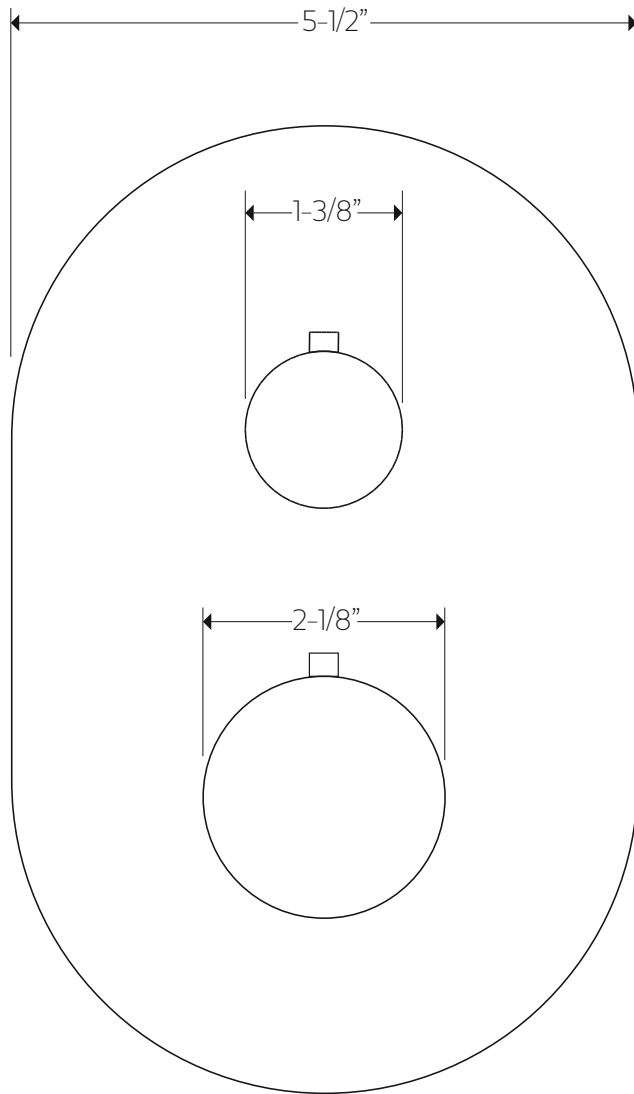
# artos<sup>®</sup>

TS083

trova shower set

## PRODUCT DIMENSIONS

for F903B-58TK

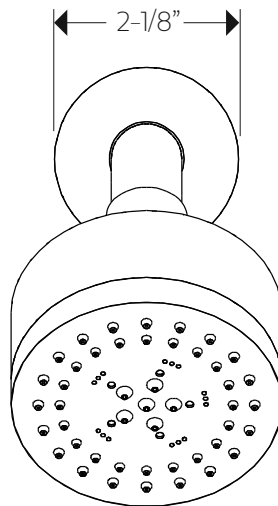
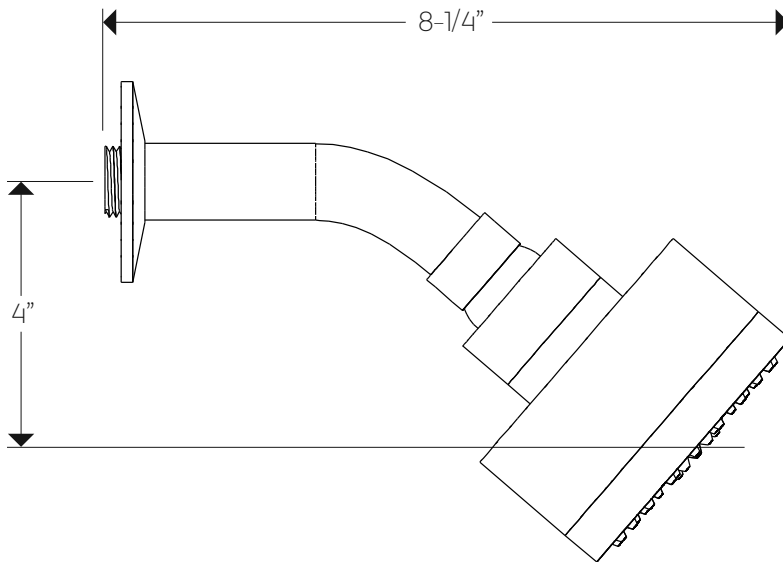


# artos<sup>®</sup>

TS083

trova shower set

## PRODUCT DIMENSIONS



# artos<sup>®</sup>

TS083

## PRODUCT DIMENSIONS

trova shower set

