

artos®

TS083

INSTALLATION GUIDE

trova shower set

BRUSHED NICKEL(BN)



CHROME(CH)



BLACK(BK)



artos[®]

TS083

trova shower set

OPERATING SPECIFICATIONS



FEATURES

Solid Brass
3-Outlets

OPERATING PRESSURE

Minimum: 15 psi
Maximum: 75 psi
Above 90psi it may be necessary to install a pressure reducer

OPERATING TEMPERATURE

Maximum: 176°

FLOW CAPACITY

Hand Shower: 2.0 USGPM
Shower Head: 1.8 USGPM
Tub Filler: 6.0 USGPM

F901-8 APPROVAL



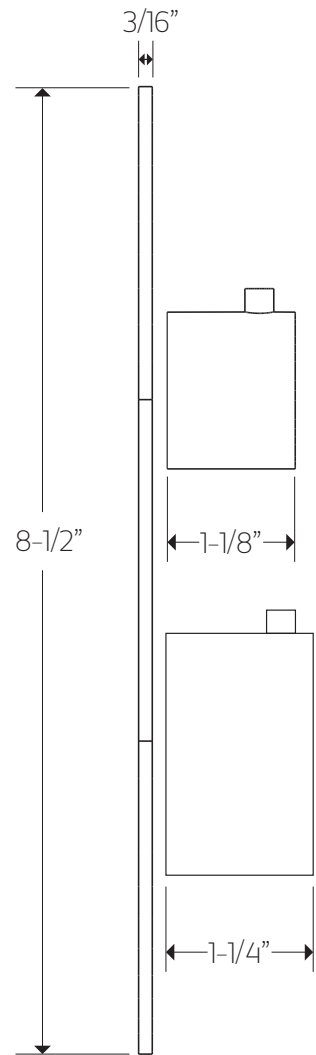
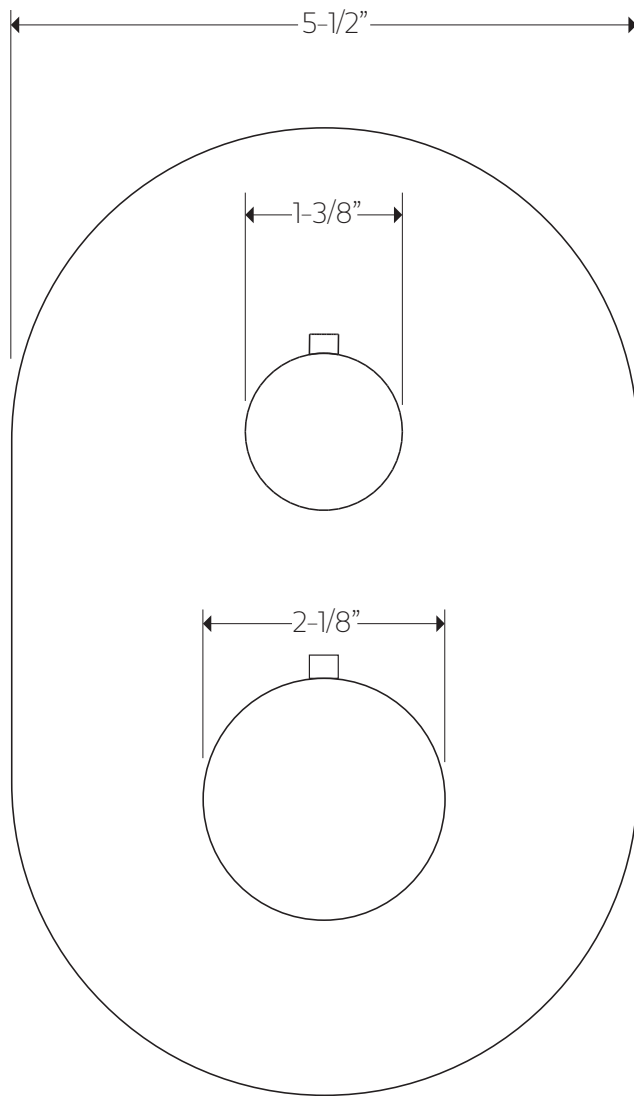
artos[®]

TS083

trova shower set

PRODUCT DIMENSIONS

for F903B-58TK

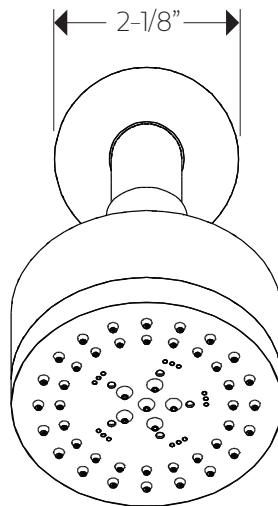
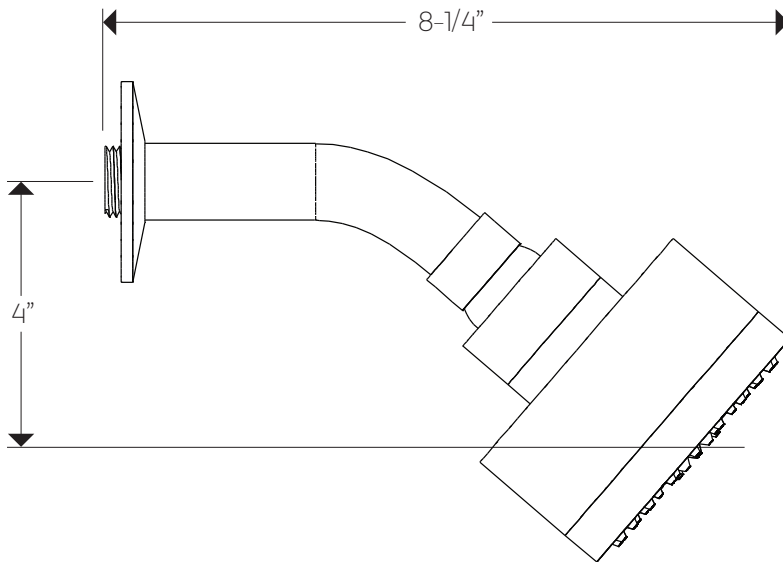


artos[®]

TS083

PRODUCT DIMENSIONS

trova shower set

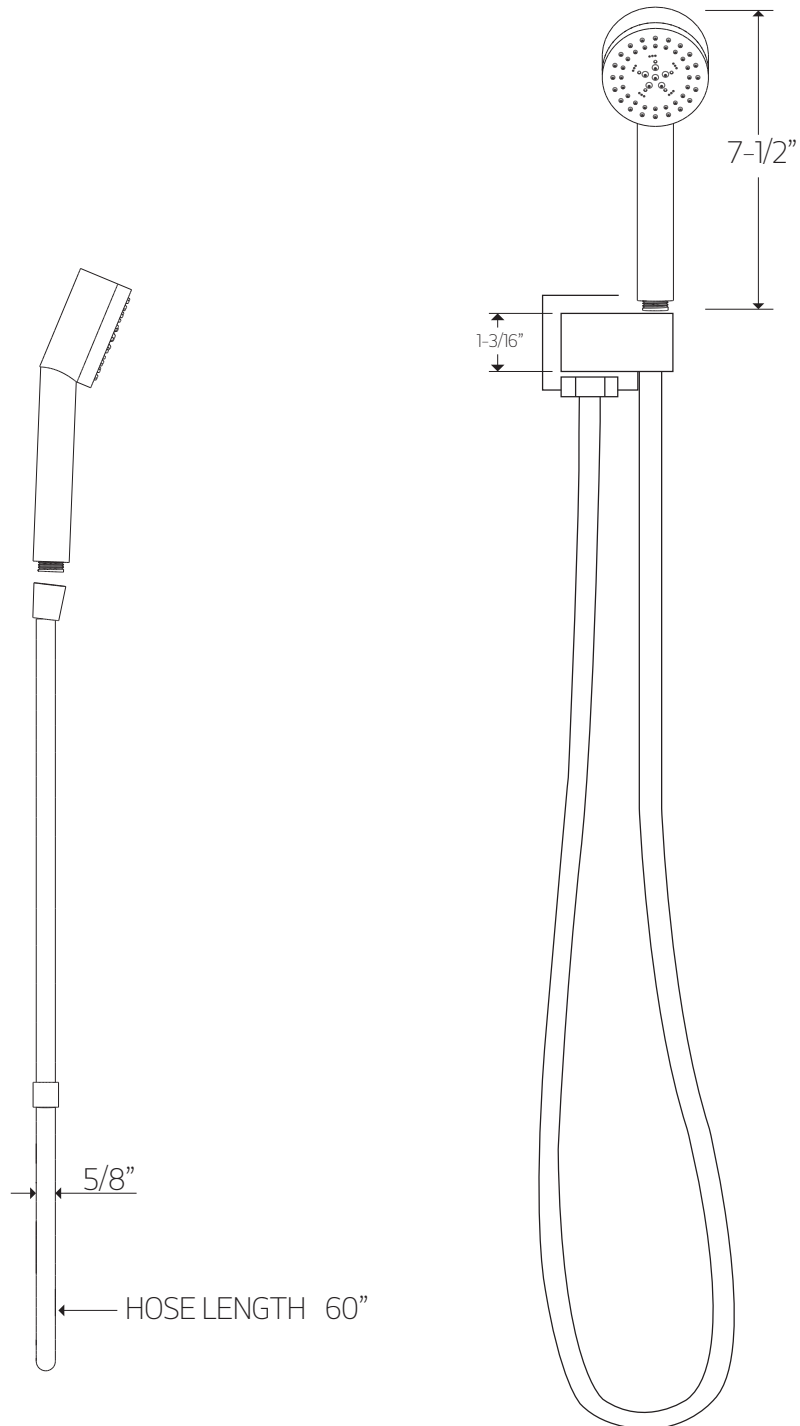


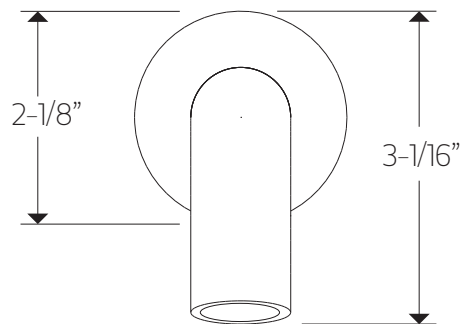
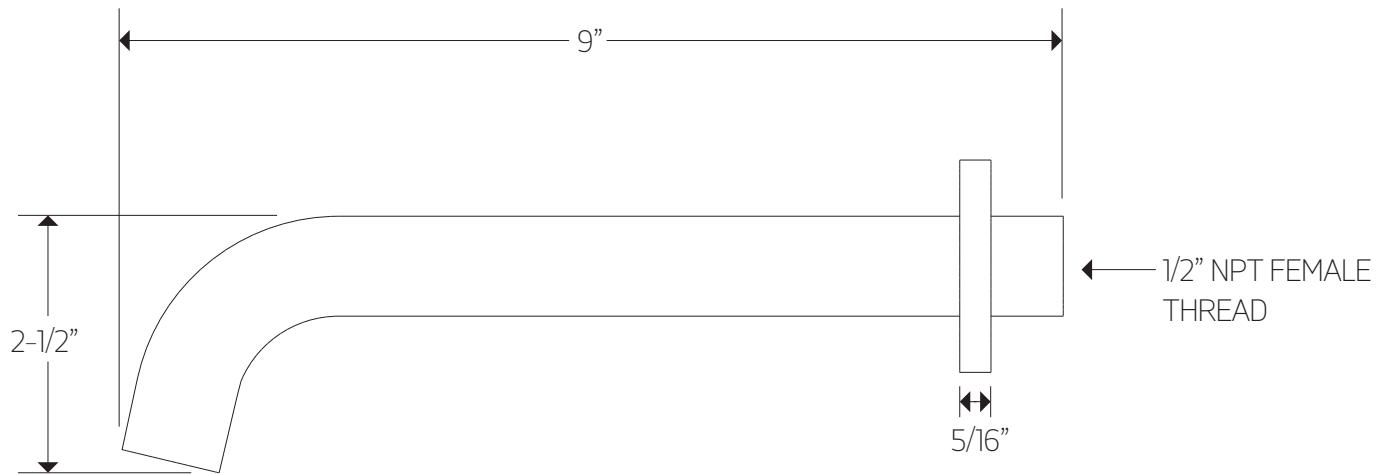
artos[®]

TS083

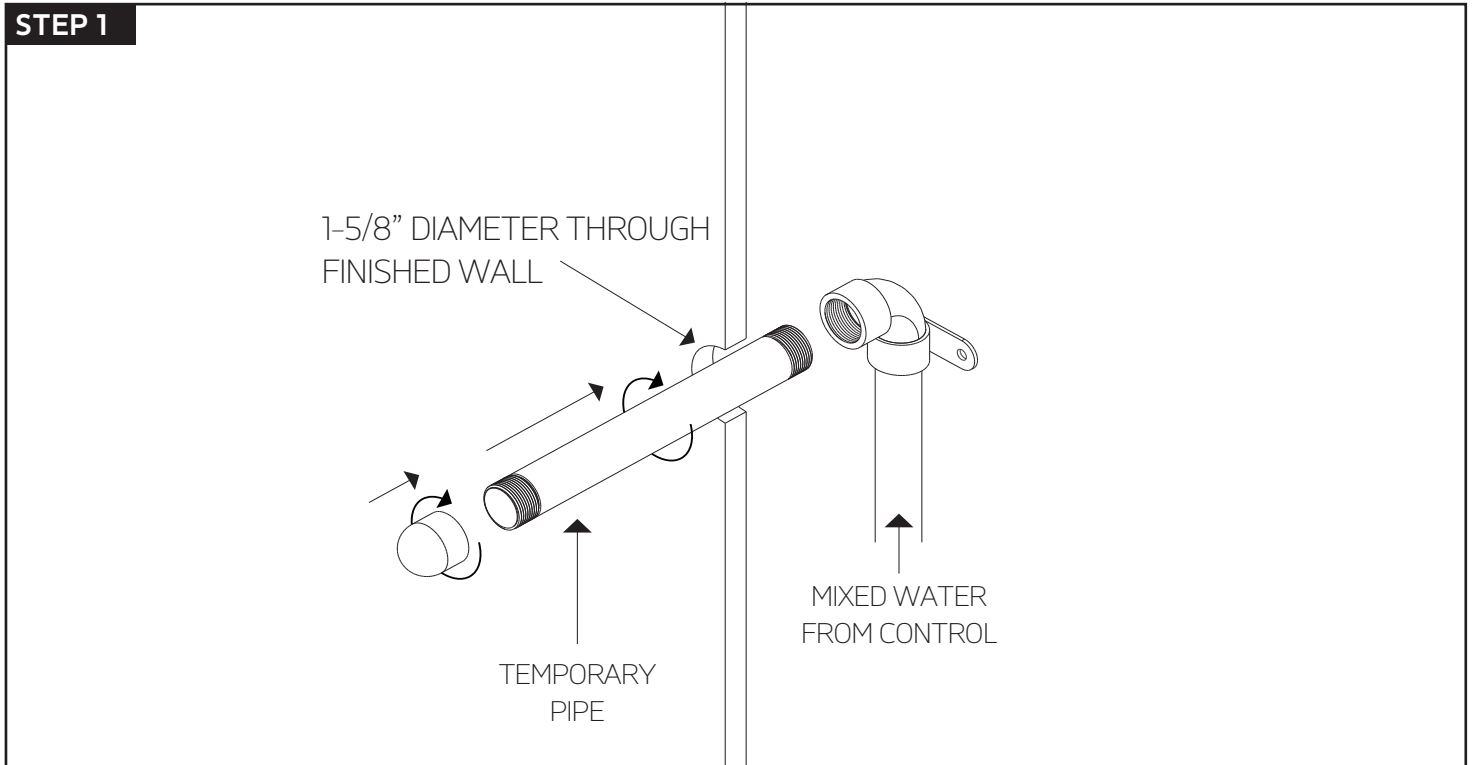
PRODUCT DIMENSIONS

trova shower set

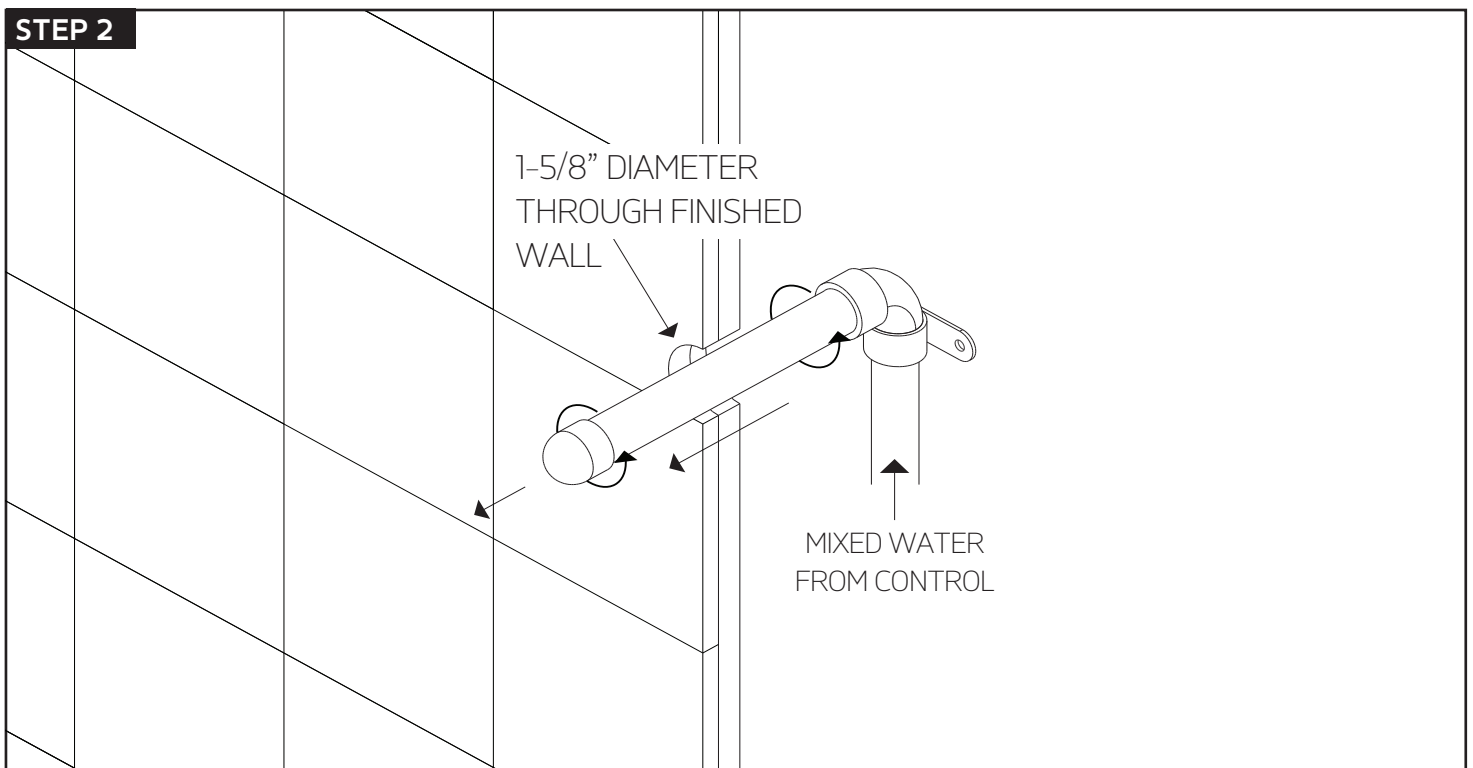




STEP 1

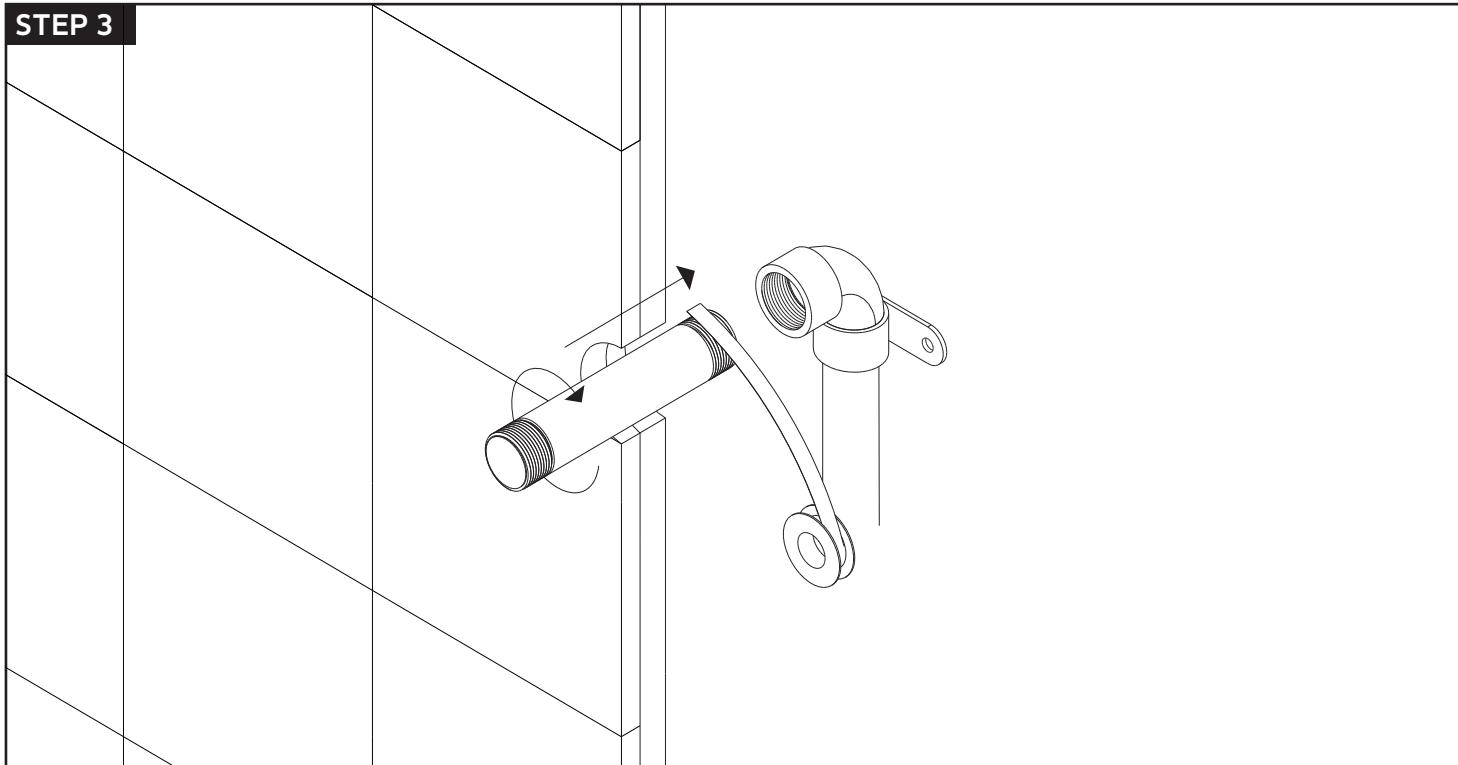


STEP 2

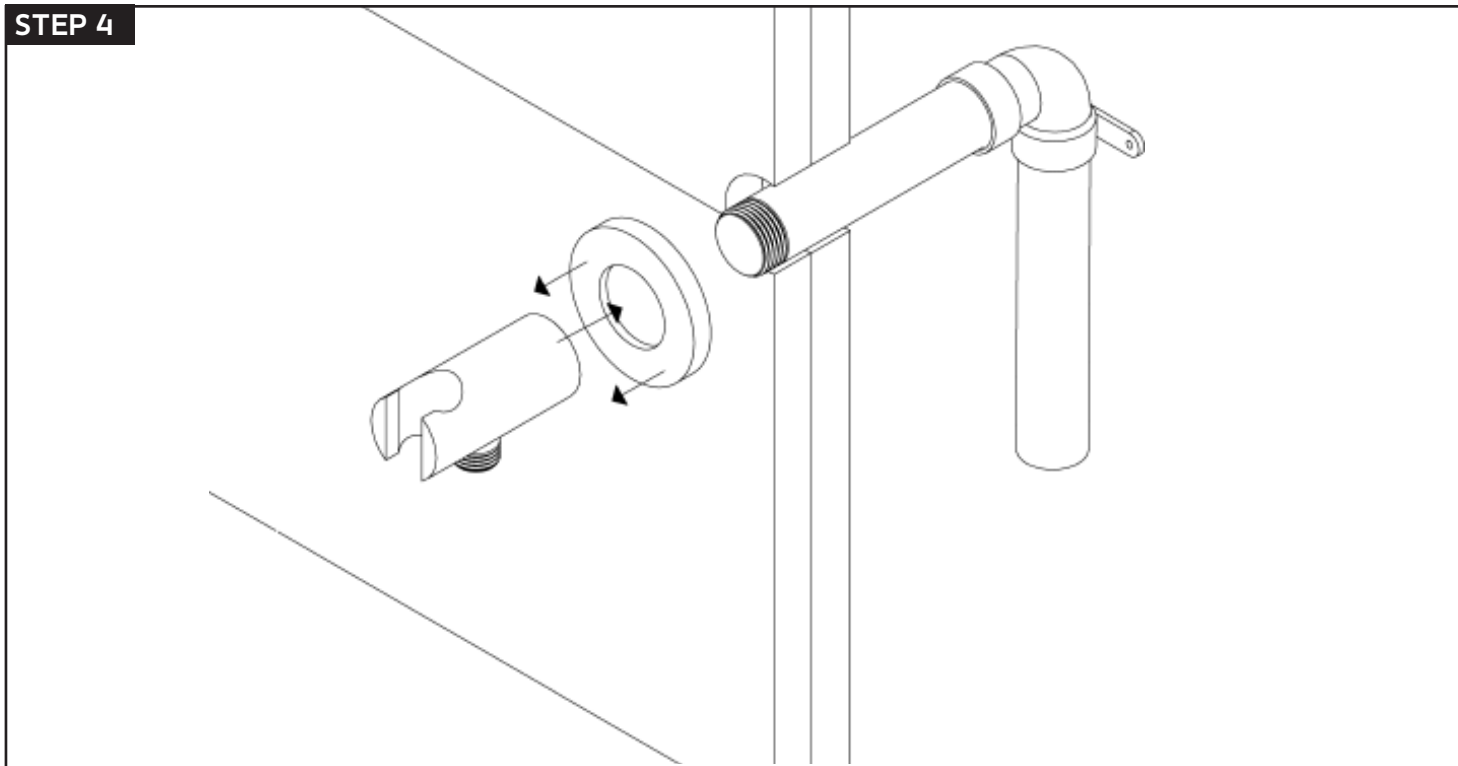


HANDHELD INSTALLATION STEPS

STEP 3



STEP 4



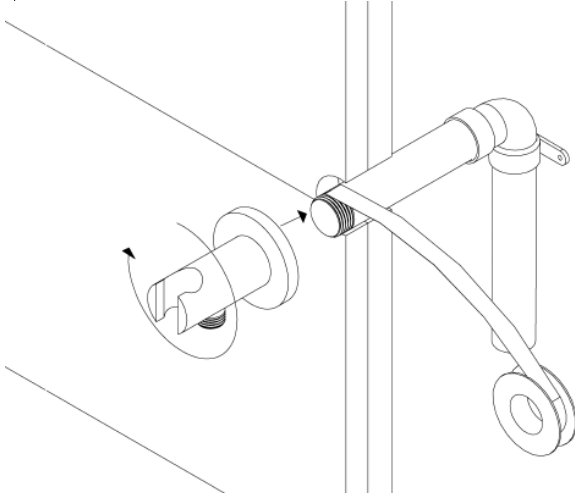
artos[®]

TS083

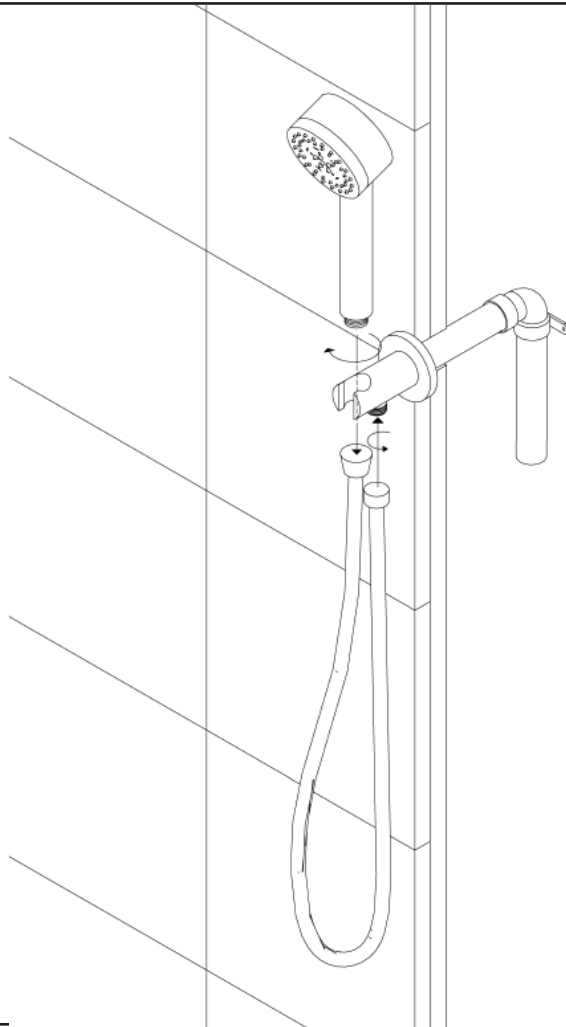
HANDHELD INSTALLATION STEPS

flexible hose shower kit with
integrated water outlet squ

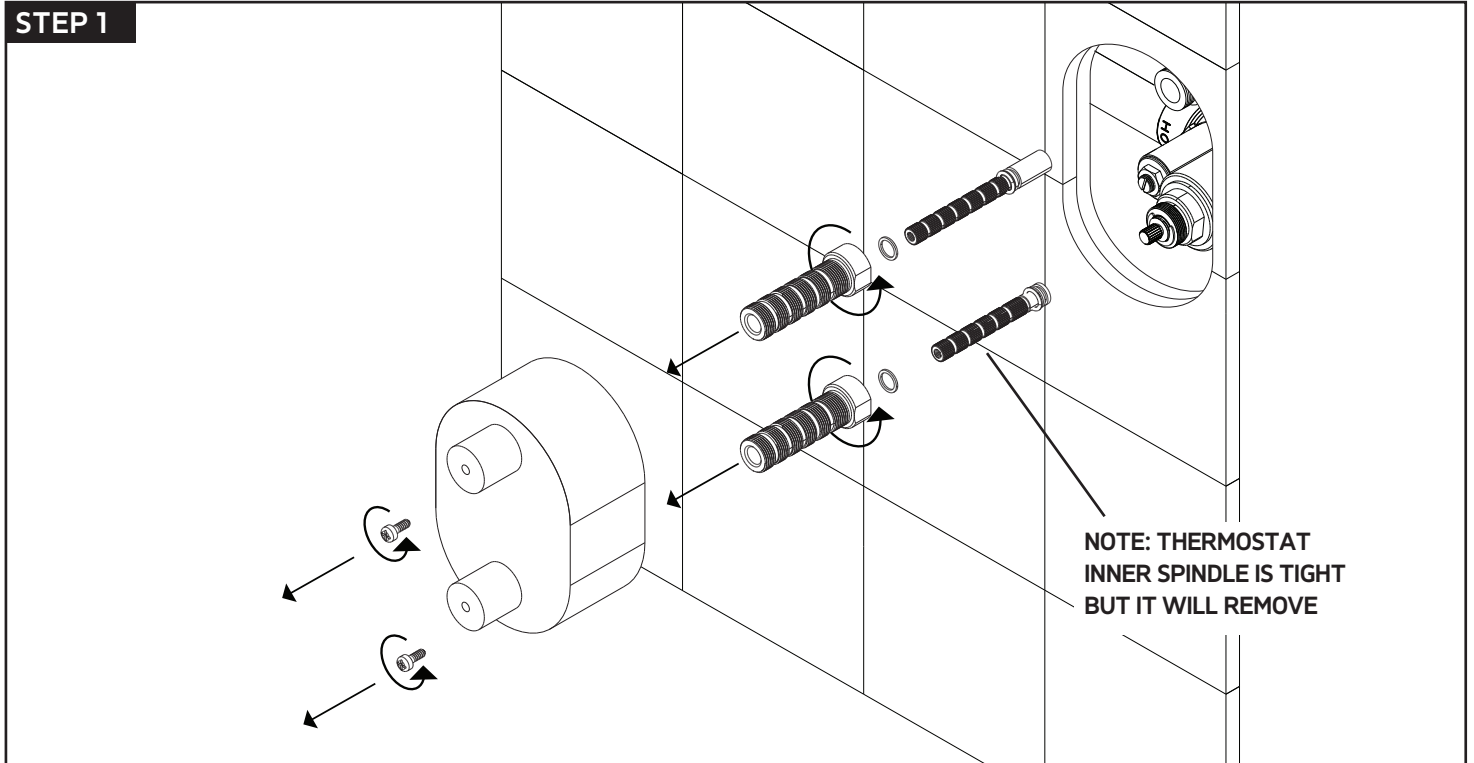
STEP 5



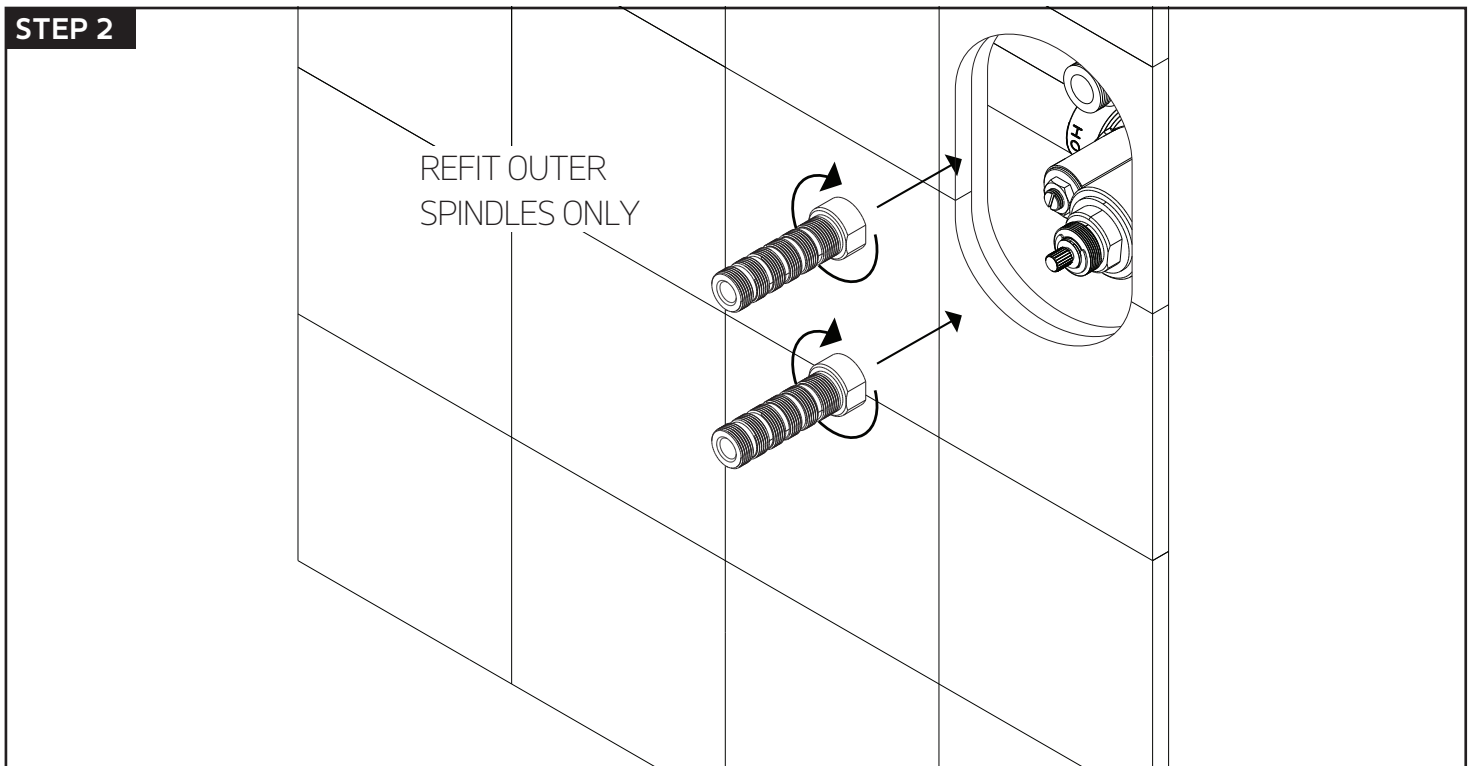
STEP 6



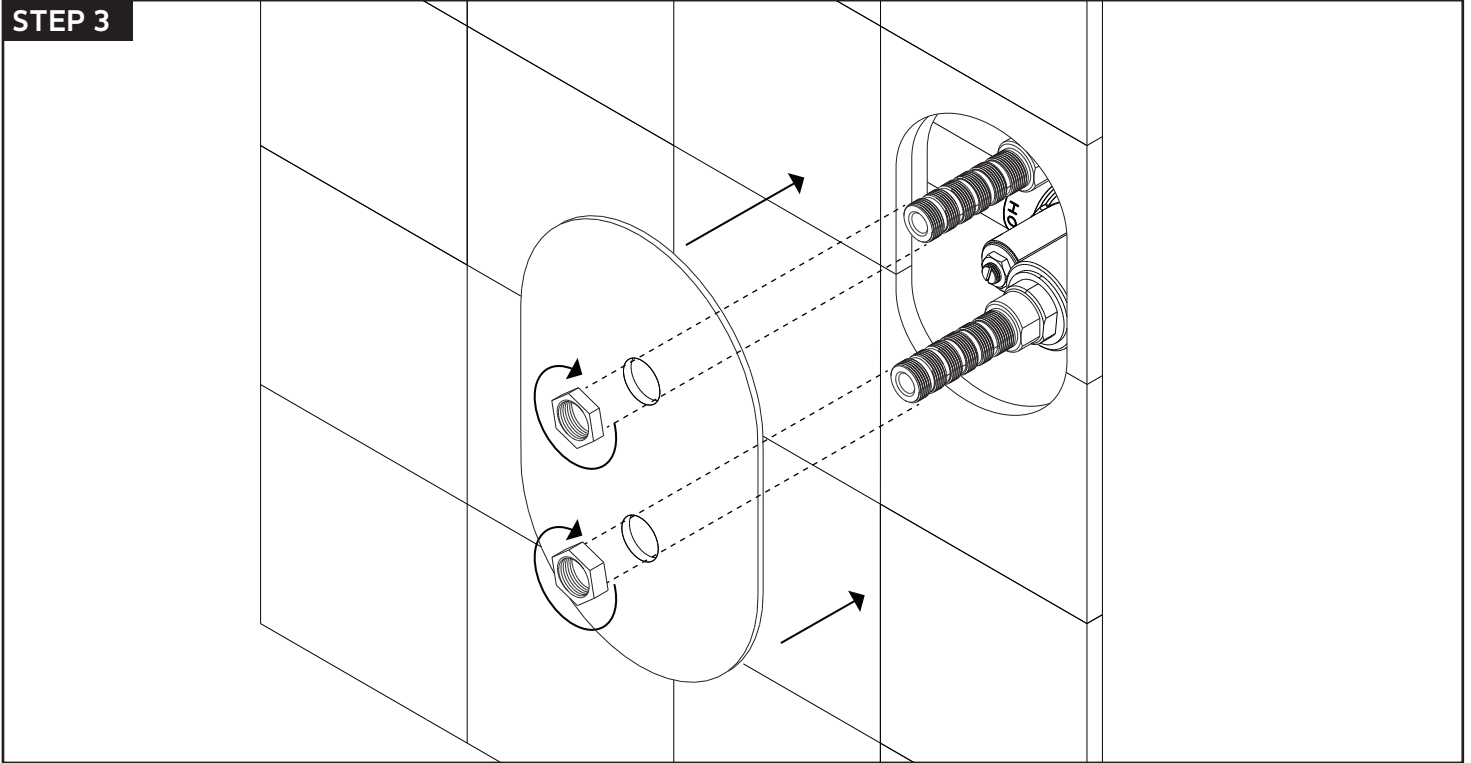
STEP 1



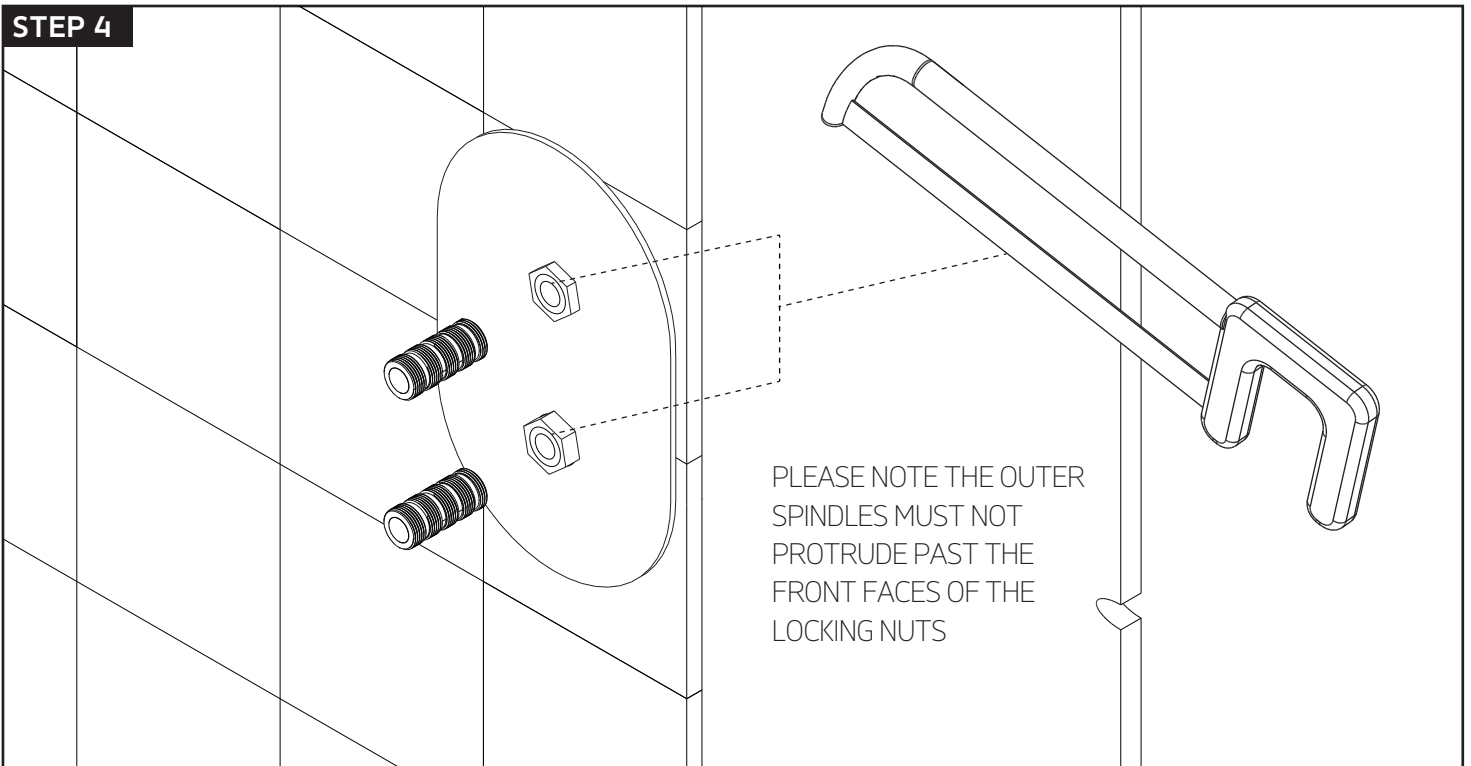
STEP 2



STEP 3



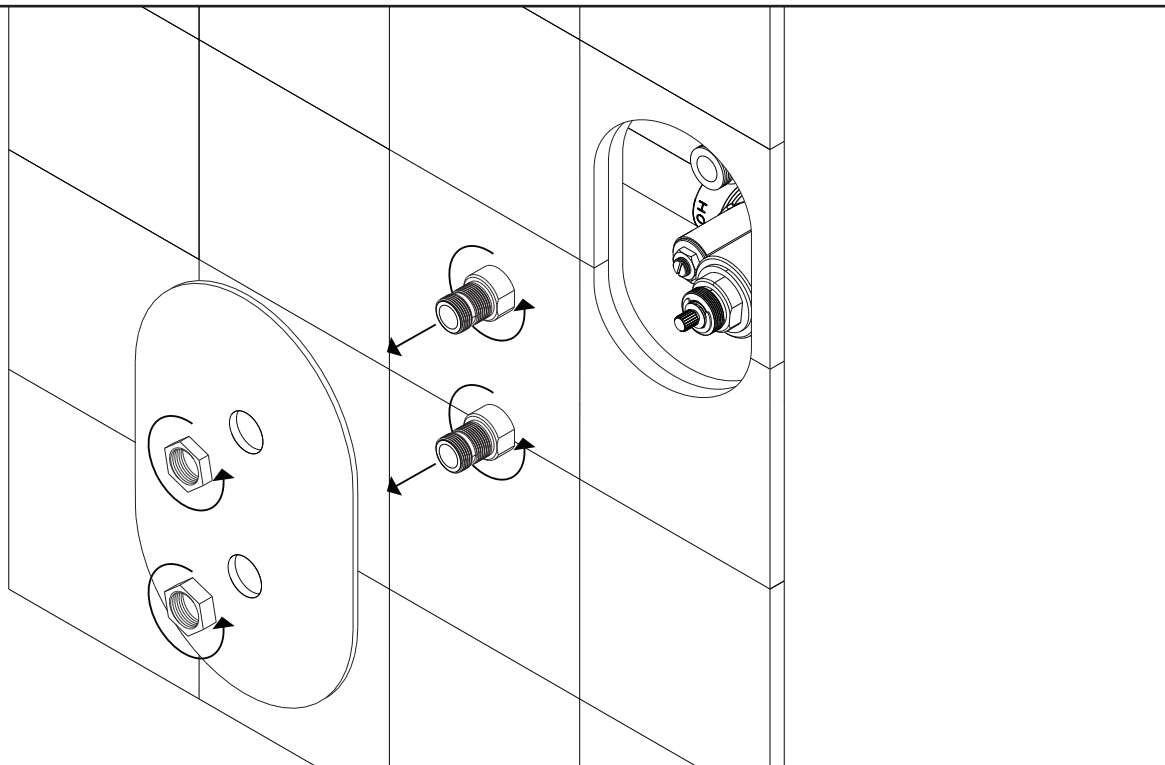
STEP 4



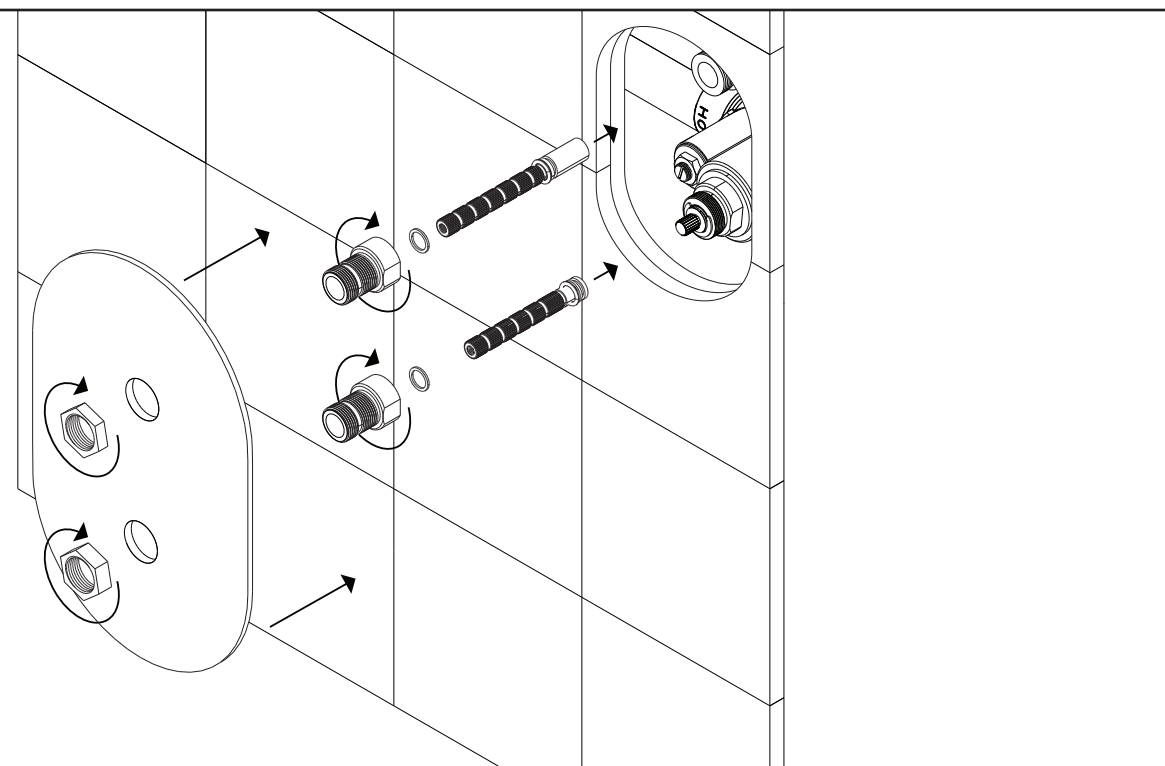
INSTALLATION STEPS

for F903B-58TK

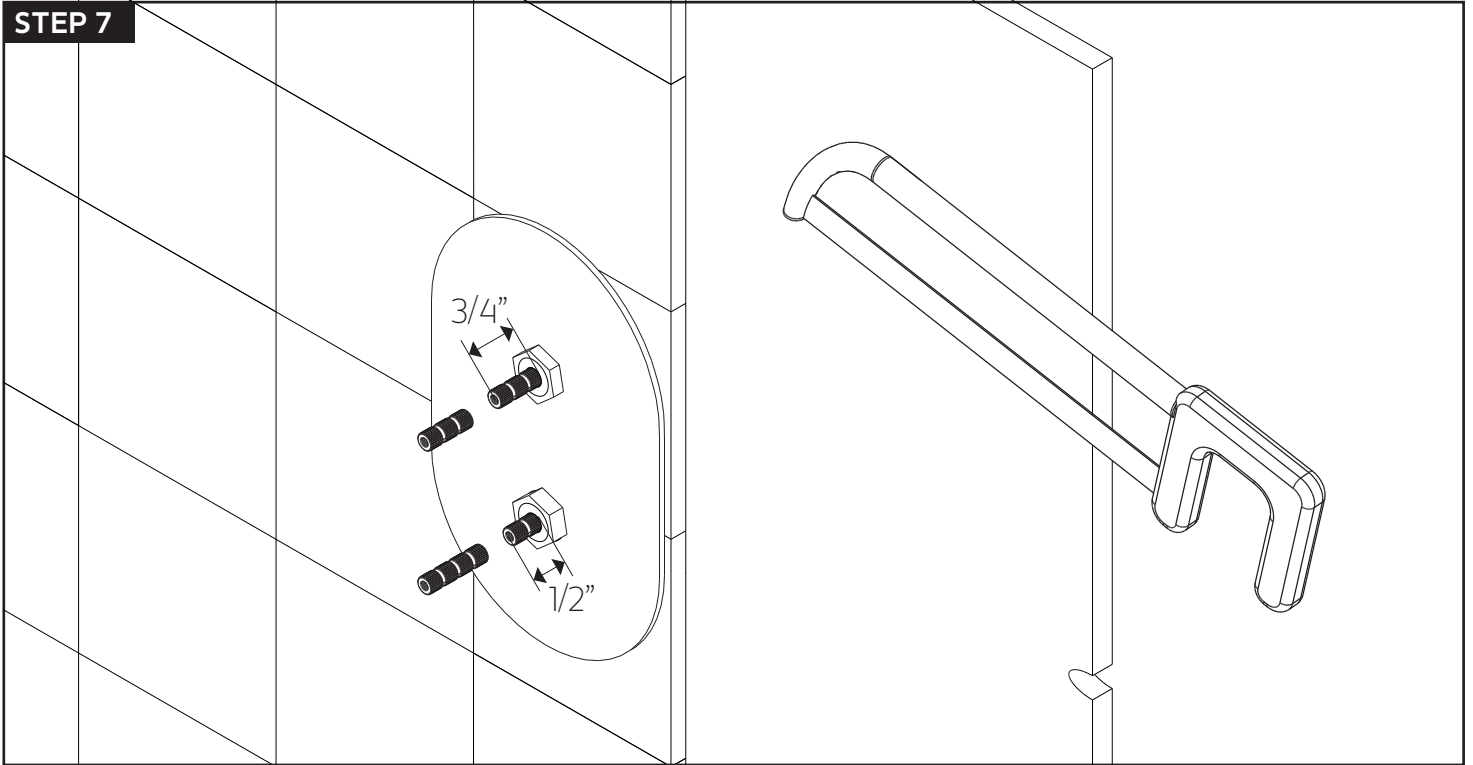
STEP 5



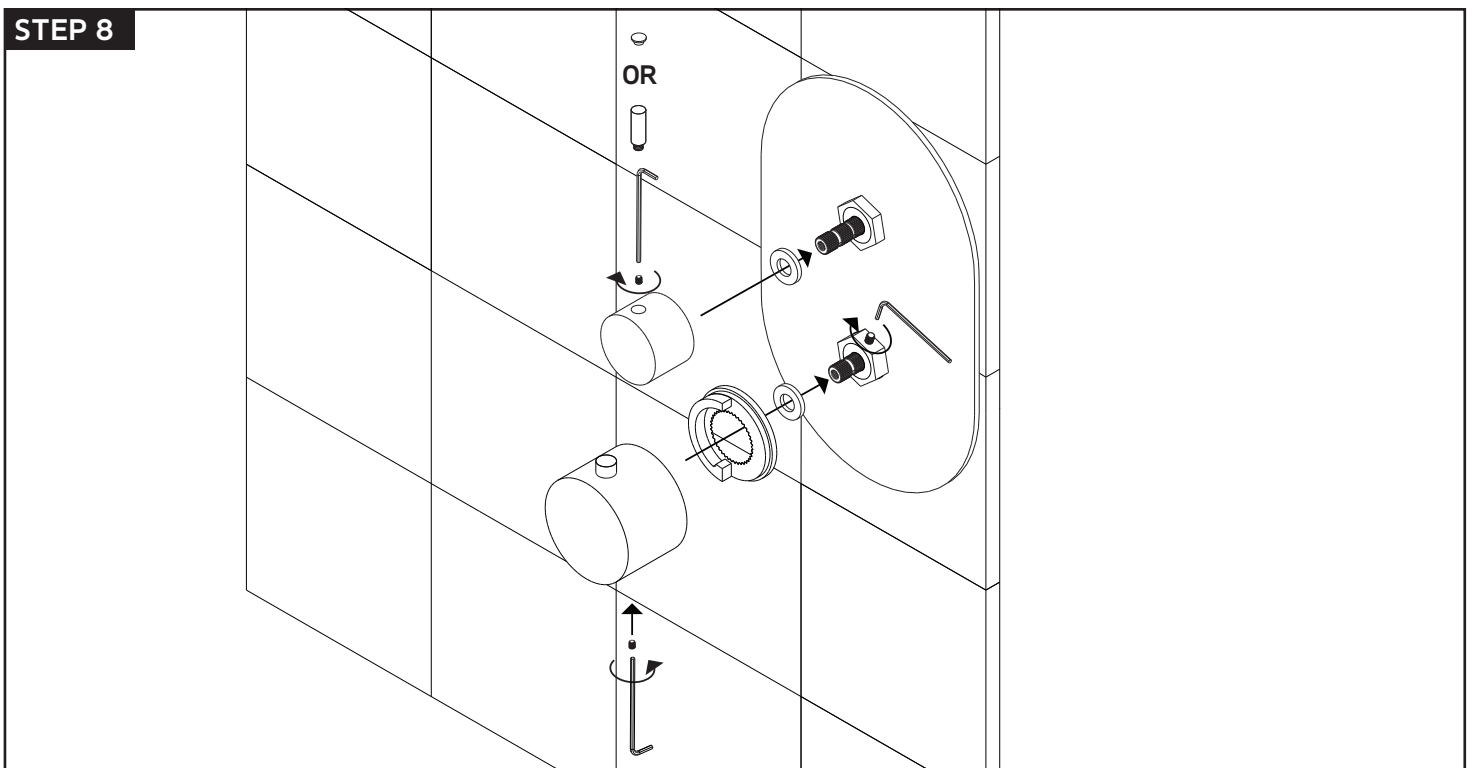
STEP 6

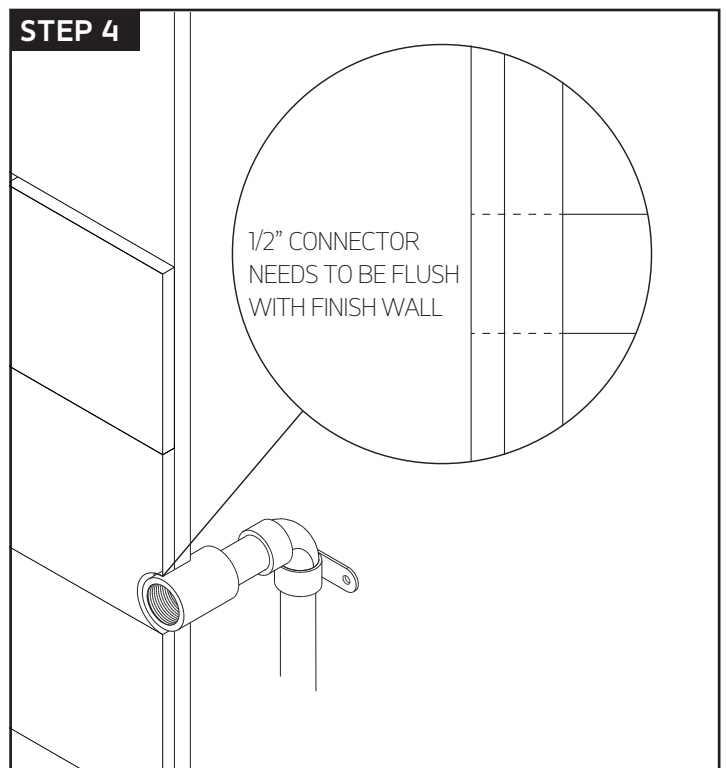
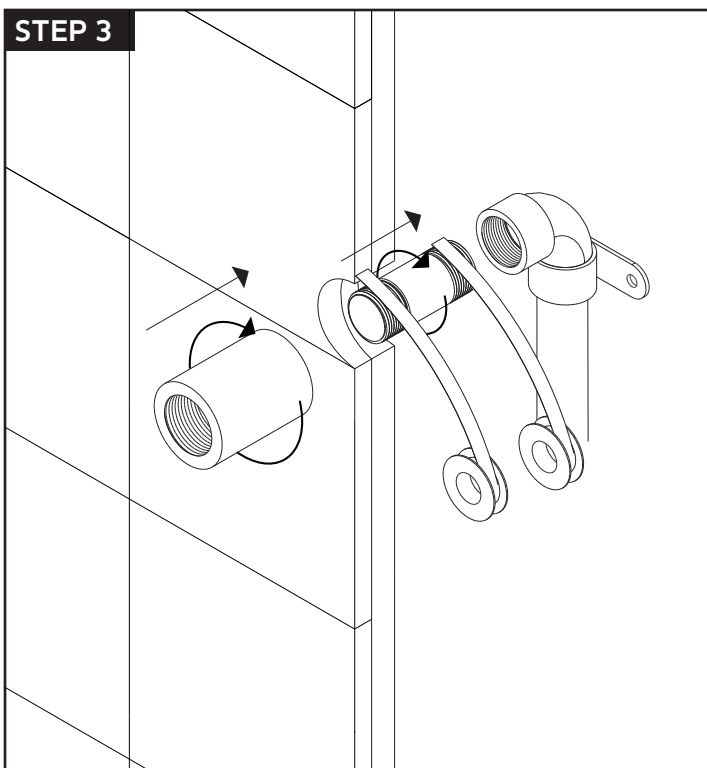
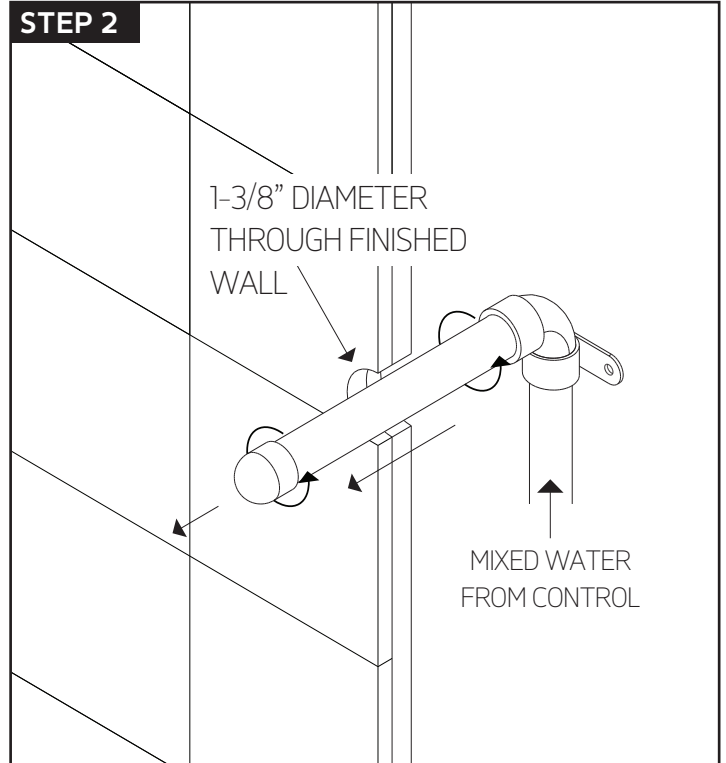
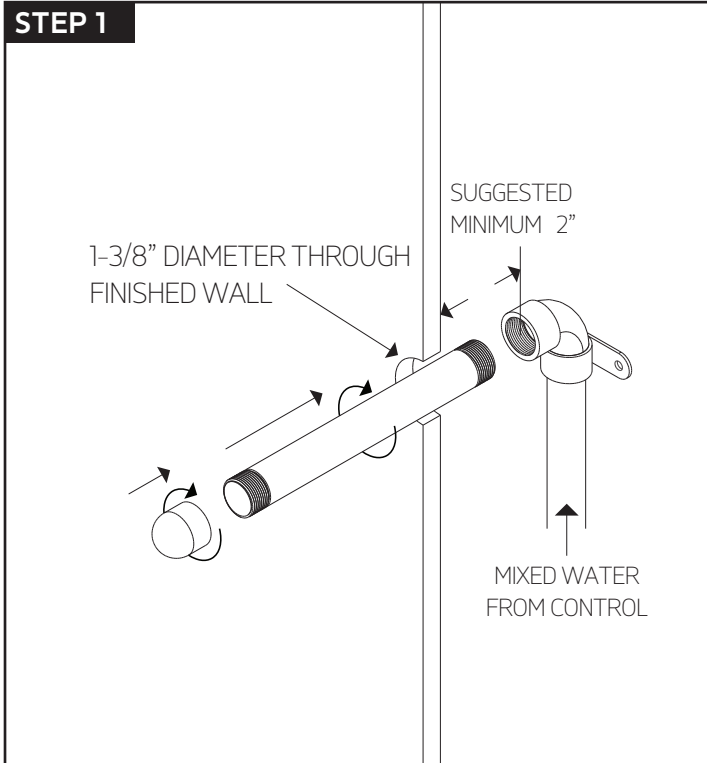


STEP 7



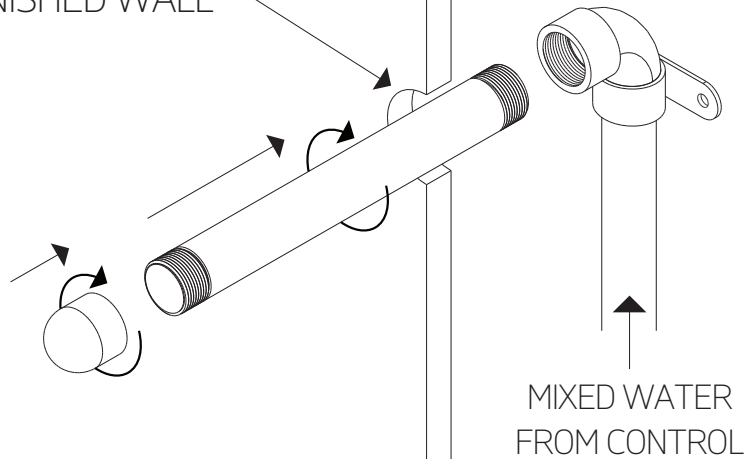
STEP 8





STEP 1

1-5/8" DIAMETER THROUGH
FINISHED WALL



STEP 2

1-5/8" DIAMETER
THROUGH FINISHED
WALL

REMOVE
TEMPORARY
PIPE

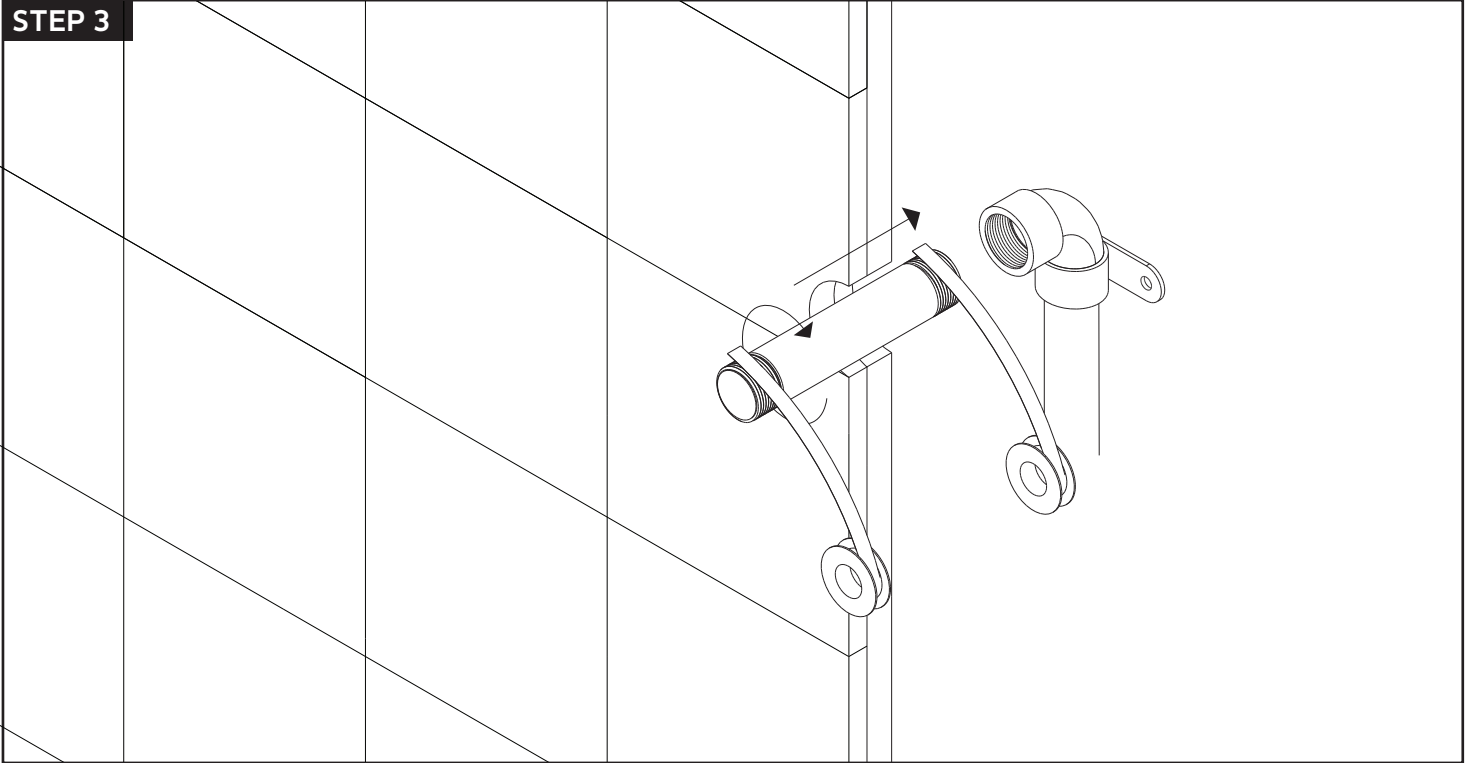
MIXED WATER
FROM CONTROL

This diagram illustrates the second step of installation. The temporary pipe is being removed from the wall. The hole in the wall is again labeled as having a diameter of 1-5/8 inches. The shower control handle and its vertical pipe are shown in the same position as in Step 1, labeled 'MIXED WATER FROM CONTROL'. Arrows indicate the removal of the temporary pipe and the flow of water.

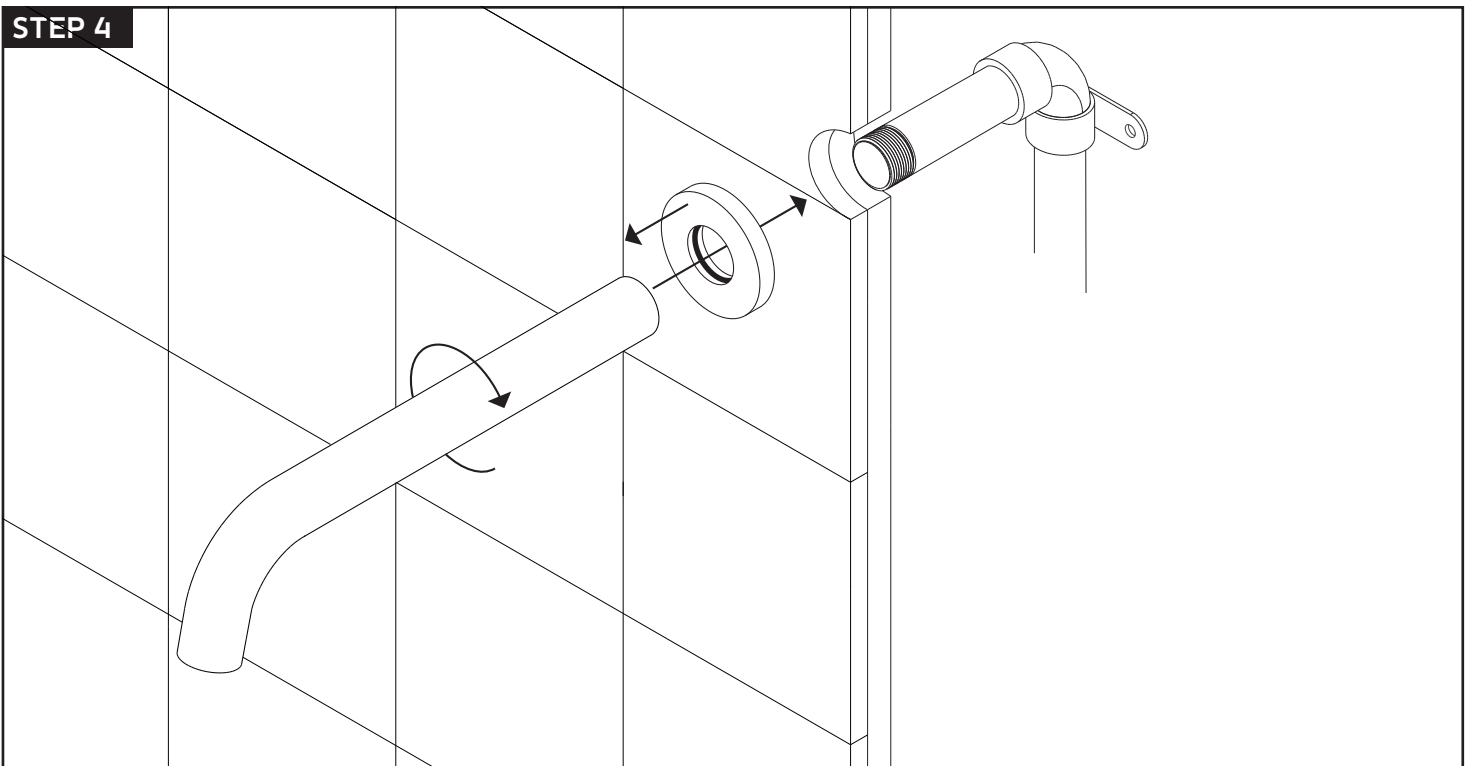
INSTALLATION STEPS

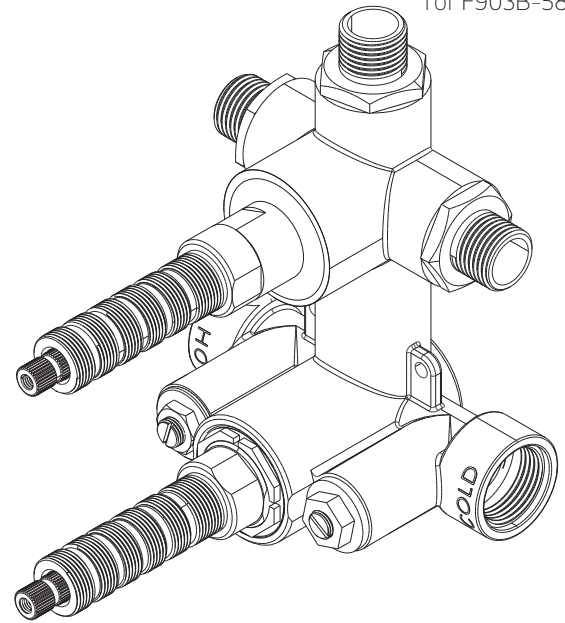
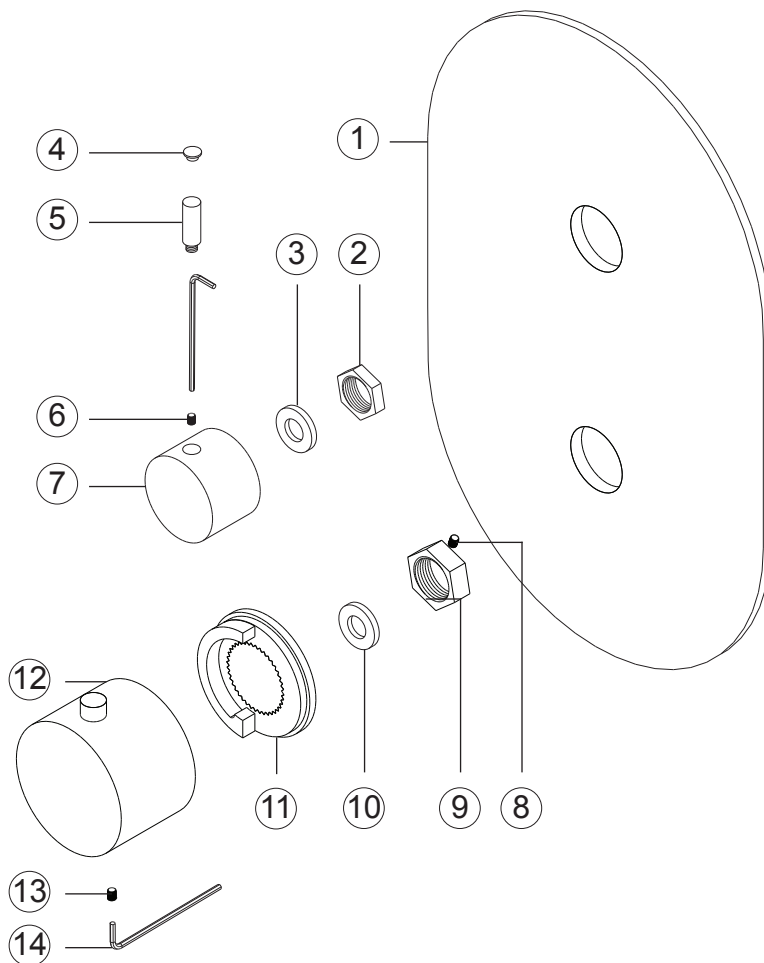
for F908-4

STEP 3

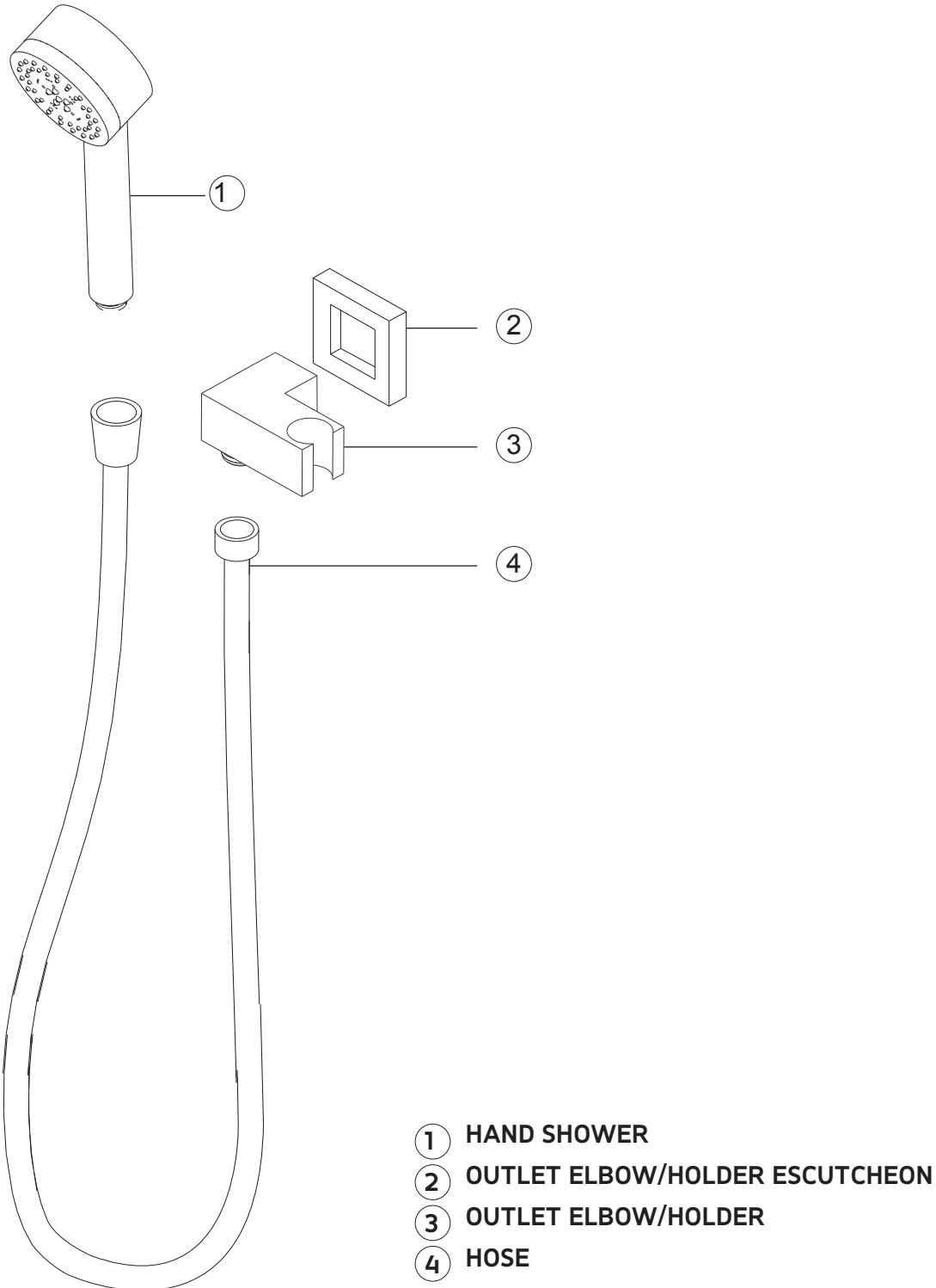


STEP 4





- | | |
|-------------------------|-----------------------------|
| ① ESCUTCHEON | ⑧ LOCKING NUT SET SCREW |
| ② DIVERTER LOCKING NUT | ⑨ THERMOSTAT LOCKING NUT |
| ③ NYLON WASHER | ⑩ NYLON WASHER |
| ④ HANDLE HOLE CAP | ⑪ TEMPERATURE LIMITING RING |
| ⑤ DIVERTER HANDLE LEVER | ⑫ THERMOSTAT HANDLE |
| ⑥ DIVERTER SET SCREW | ⑬ THERMOSTAT SET SCREW |
| ⑦ DIVERTER HANDLE | ⑭ ALLEN WRENCH |



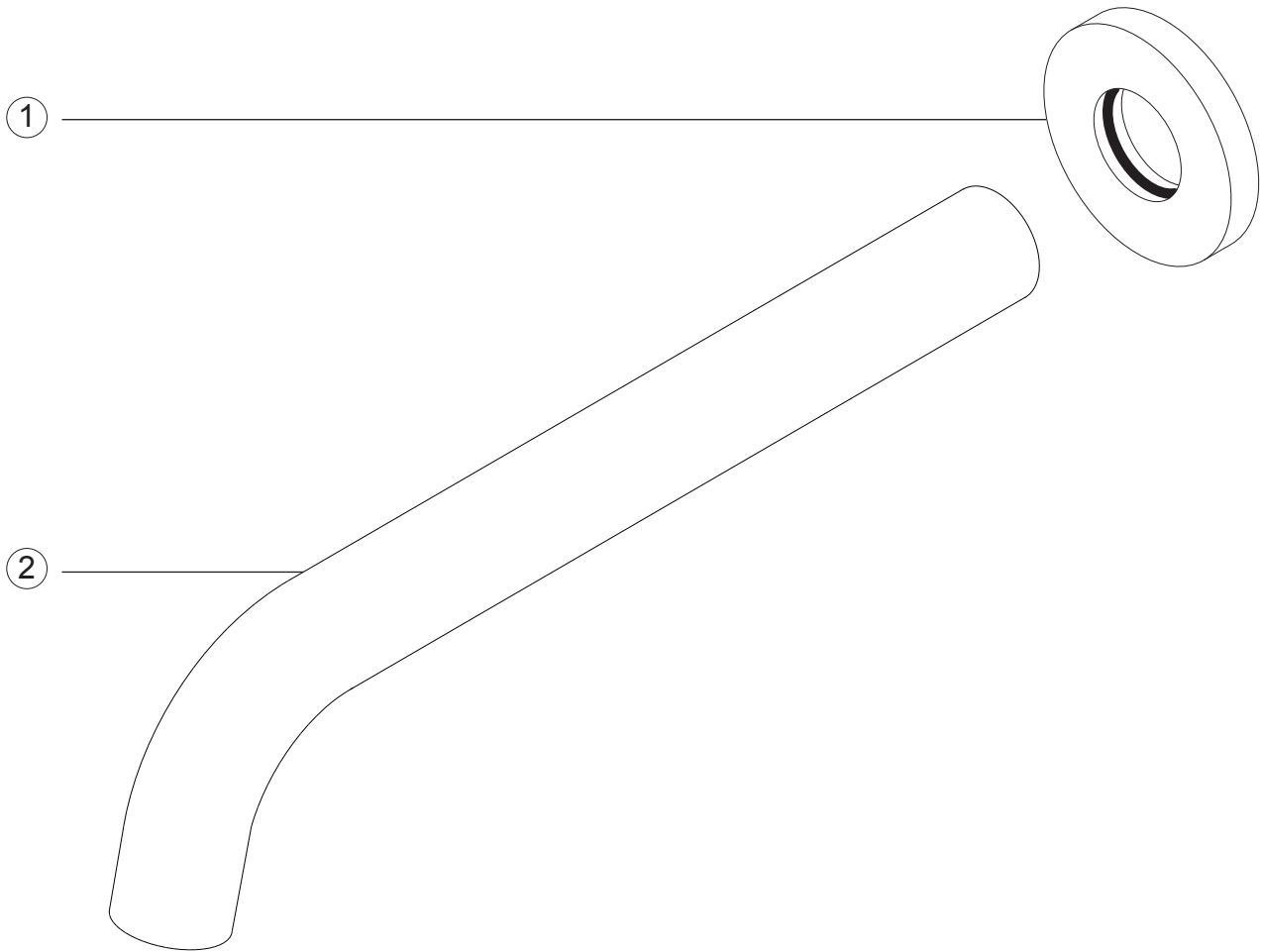
artos[®]

TS083

trova shower set

PARTS BREAKDOWN

for F908-4



① ESCUTCHEON

② TUB FILLER SPOUT