



Boston Sink Consoles: 47 inch C105-V47-BNK C105-V47-MBK C105-V47-RGD
63 inch C105-V63-BNK C105-V63-MBK C105-V63-RGD

Assembly / Installation Instructions for Sink Consoles and Sink Consoles with the optional Storage Cabinets.

47 inch Boston Sink Consoles use countertop with integrated sinks: SSP-S4718-WG
63 inch Boston Sink Consoles use countertop with integrated sinks: SSP-S6318-WG

Finish Color Abbreviation Notes:

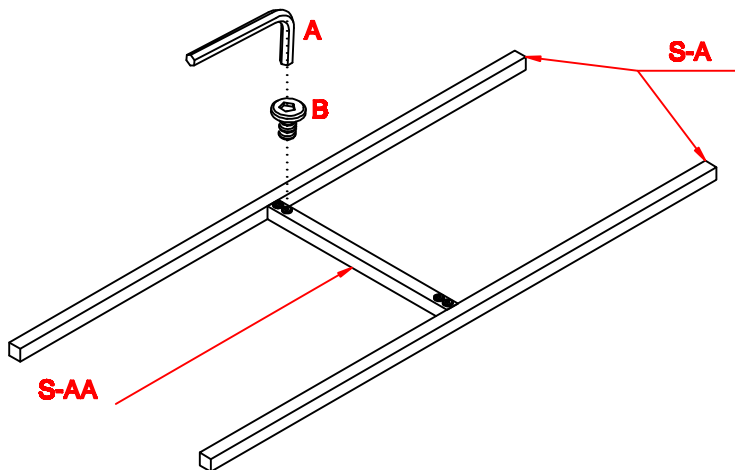
Sink Console Colors: (BNK = Brushed Nickel) / (MBK = Matte Black) / (RGD = Radiant Gold)

Assembly and Installation Notes:

Detailed notes and line drawings for the assembly of the sink console are on pages 01-05.
Installation notes for the optional storage cabinets: C105-SC19 are located on page 03.

IMPORTANT: Please review all pages prior to attaching the sink console to the wall. Storage cabinets need to be attached to the backside of the console before the sink console is attached to the wall.

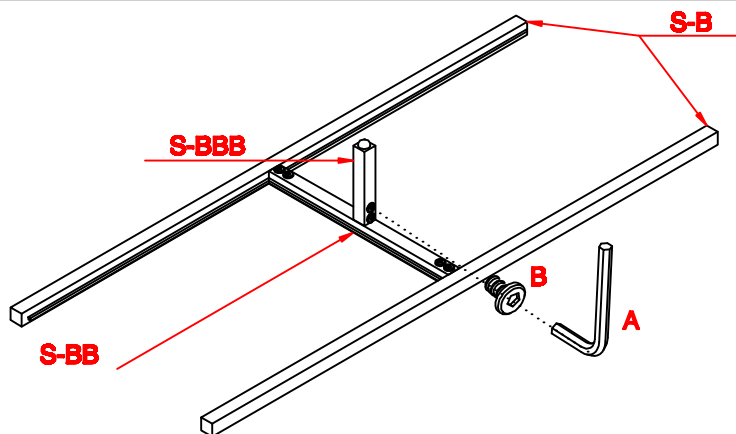
For your safety and to achieve the best possible installation of this vanity cabinet, James Martin Vanities always recommends you consult with a professional contractor. Two people are required for the assembly and installation of these sink consoles.



Step 1 Notes:

Locate two pairs of the longest metal tubes: **S-A** and connect them together with the shortest metal tubes **S-AA** using Bolts (**B**) and tightening with the Allen Wrench (**A**)

This will create two sets of assembled tubes in the shape of the letter "H"



A = 1 PC Allen Wrench (#4)

B = 42 PCS Bolts 1/4 x 1/2"



Step 2 Notes:

Locate two pairs of the longest metal tubes: **S-B** and connect them together with the shortest metal tubes **S-BB** using Bolts (**B**) and tightening with the Allen Wrench (**A**)

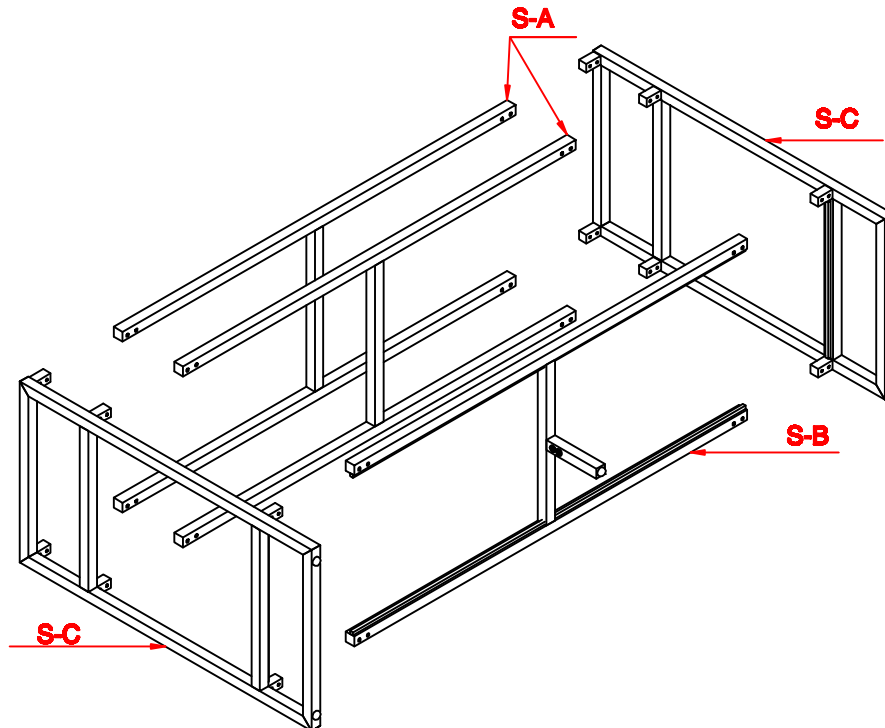
This will create a set of assembled tubes in the shape of the letter "H"
Attach the center leg **S-BBB** to the short tube in the middle of the "H"



Boston Sink Consoles: 47 inch C105-V47-BNK C105-V47-MBK C105-V47-RGD
63 inch C105-V63-BNK C105-V63-MBK C105-V63-RGD

Assembly / Installation Instructions for Sink Consoles and Sink Consoles with the optional Storage Cabinets.

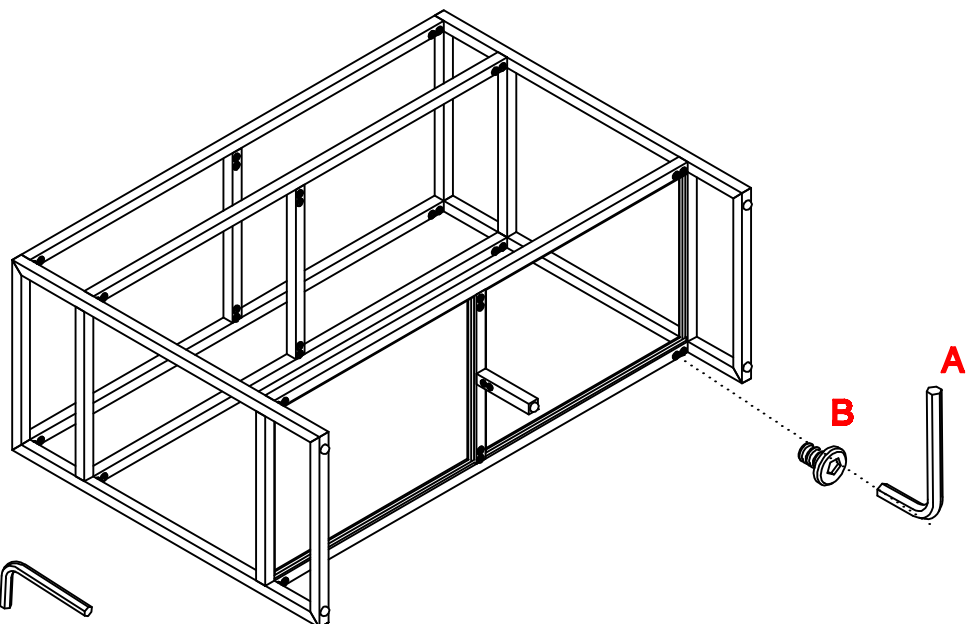
47 inch Boston Sink Consoles use countertop with integrated sinks: SSP-S4718-WG
63 inch Boston Sink Consoles use countertop with integrated sinks: SSP-S6318-WG



Step 3 Notes:

Once you have assembled two sets of: **S-A** and one set of **S-B**, locate the fully assembled side pieces **S-C**. Connect these five pieces together using Bolts **B** and tightening with the Allen Wrench **A**. This will create the complete metal frame of sink console.

Important: Please press down the sink console to narrow the gaps when tight the bolts. Move the sink console into the upright position.



A = 1 pc Allen Wrench (#4)



B = 42 Bolts 1/4 x1/2"





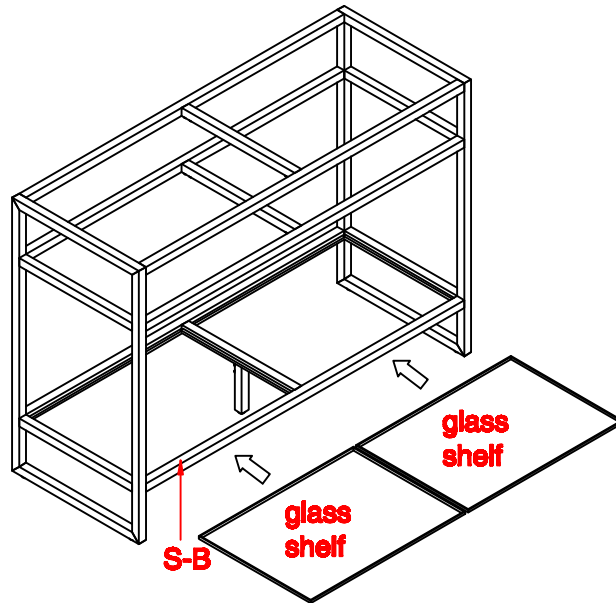
Boston Sink Consoles: 47 inch C105-V47-BNK C105-V47-MBK C105-V47-RGD
 63 inch C105-V63-BNK C105-V63-MBK C105-V63-RGD

Assembly / Installation Instructions for Sink Consoles and Sink Consoles with the optional Storage Cabinets.

47 inch Boston Sink Consoles use countertop with integrated sinks: SSP-S4718-WG
 63 inch Boston Sink Consoles use countertop with integrated sinks: SSP-S6318-WG

Step 4 Notes:

Inset the glass shelves onto shelf S-B

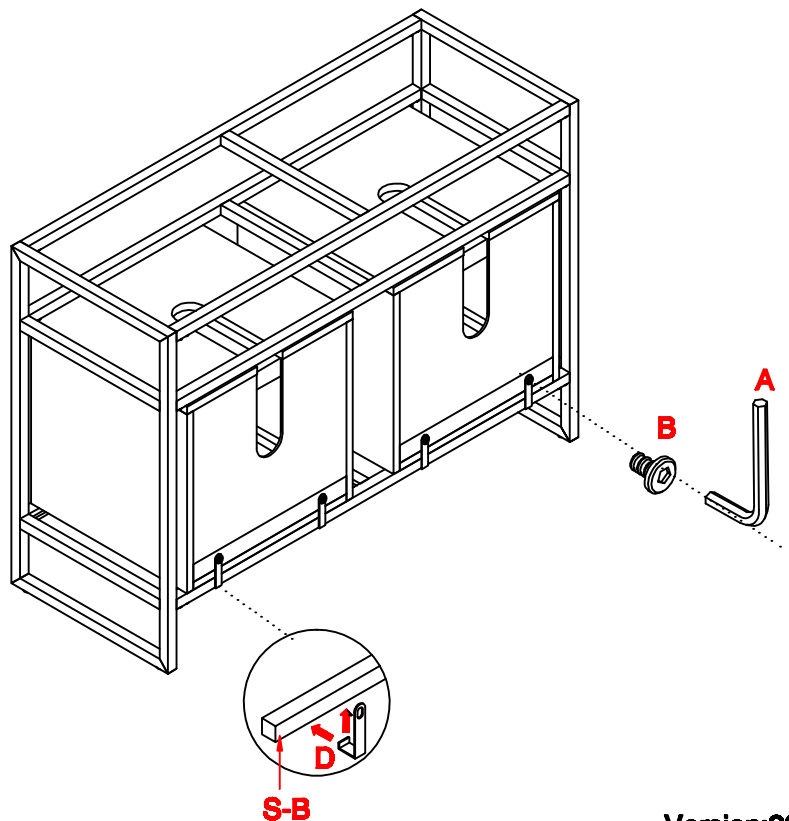


Assembly and Installation Notes:

Installation notes for the optional Storage Cabinets (if the Storage Cabinets has been ordered) : C105-SC19 , please follow steps 1 - 4 on pages 01 - 03, then proceed to note 4b as below.

Step 4b Notes:

Attach these four hooks (D) to the bottom metal tube (backside of S-B) and Storage Cabinets where there are pre-drilled holes. Connect the brackets using Bolts (B) and tightening with the Allen Wrench (A).



B = 42 PCS Bolts 1/4 x1/2"

D = 4 PCS Hook



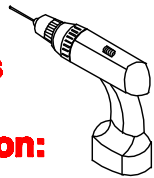


Boston Sink Consoles: 47 inch C105-V47-BNK C105-V47-MBK C105-V47-RGD
63 inch C105-V63-BNK C105-V63-MBK C105-V63-RGD

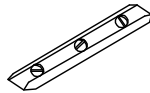
Assembly / Installation Instructions for Sink Consoles and Sink Consoles with the optional Storage Cabinets.

47 inch Boston Sink Consoles use countertop with integrated sinks: SSP-S4718-WG
63 inch Boston Sink Consoles use countertop with integrated sinks: SSP-S6318-WG

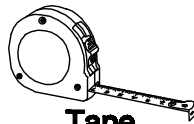
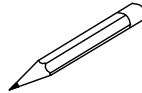
Materials for Installation:



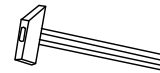
Drill



Level

Tape
Measuring

Pencil

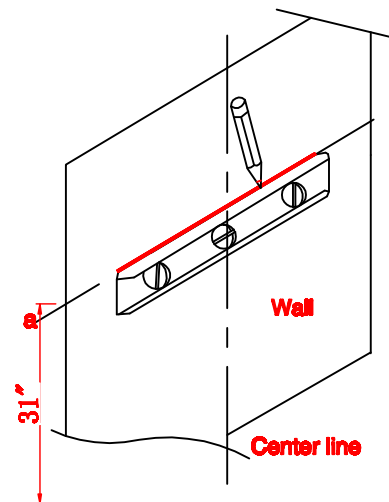
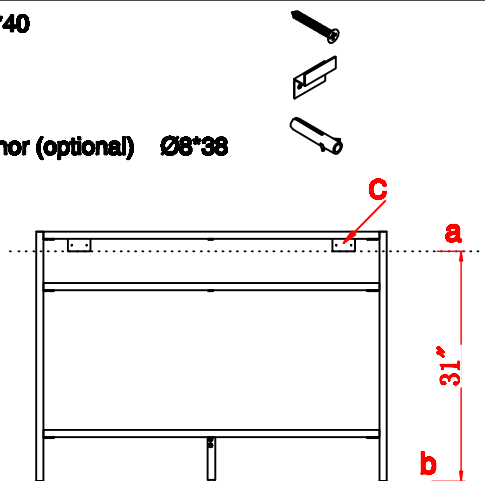


Hammer

B=4 PCS screws Ø4*40

C=2 PCS Bracket

D=4 PCS drywall anchor (optional) Ø6*38



Step 5 Notes:

Locate the angled metal brackets **C**

Two brackets are required to secure the sink console to the wall.

Step 6 Notes:

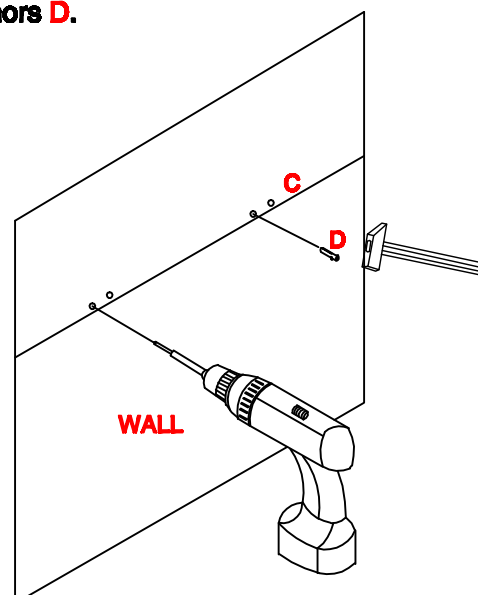
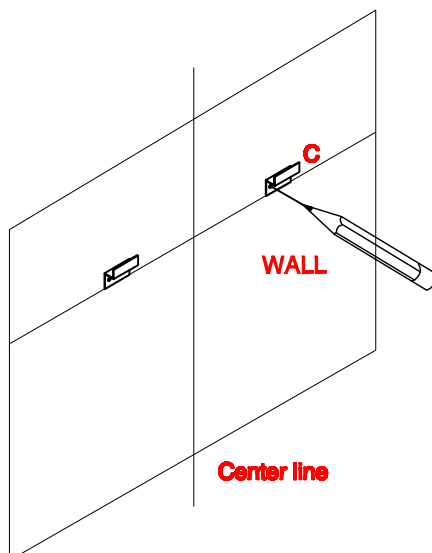
Determine the final position of the sink console and mark the center line with a pencil.

The bottom edge of the brackets **C**, will be 31 inches from the floor.

Step 7 Notes:

Moving left and right from your center line on the wall, try to locate wall studs, mark these positions with a pencil through the holes of brackets, drill the holes' depth no less than 1/2".

If you are not able to use wall studs, then please use the drywall Anchors **D**.

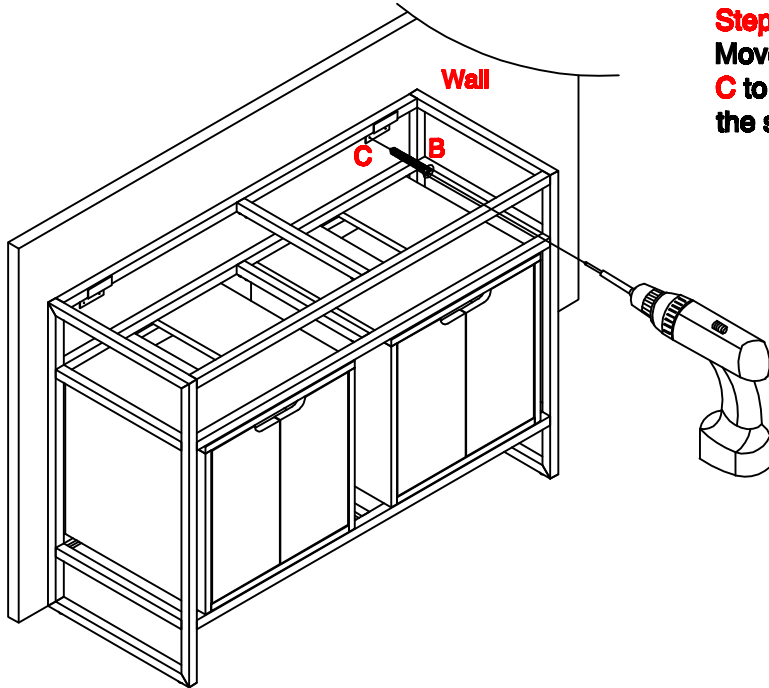




Boston Sink Consoles: 47 inch C105-V47-BNK C105-V47-MBK C105-V47-RGD
 63 inch C105-V63-BNK C105-V63-MBK C105-V63-RGD

Assembly / Installation Instructions for Sink Consoles and Sink Consoles with the optional Storage Cabinets.

47 inch Boston Sink Consoles use countertop with integrated sinks: SSP-S4718-WG
 63 inch Boston Sink Consoles use countertop with integrated sinks: SSP-S6318-WG



Step 8 Notes:

Move the sink console against the wall and attach brackets **C** to the wall, please use two people to gently lift the back of the sink console so it fits securely against the wall.

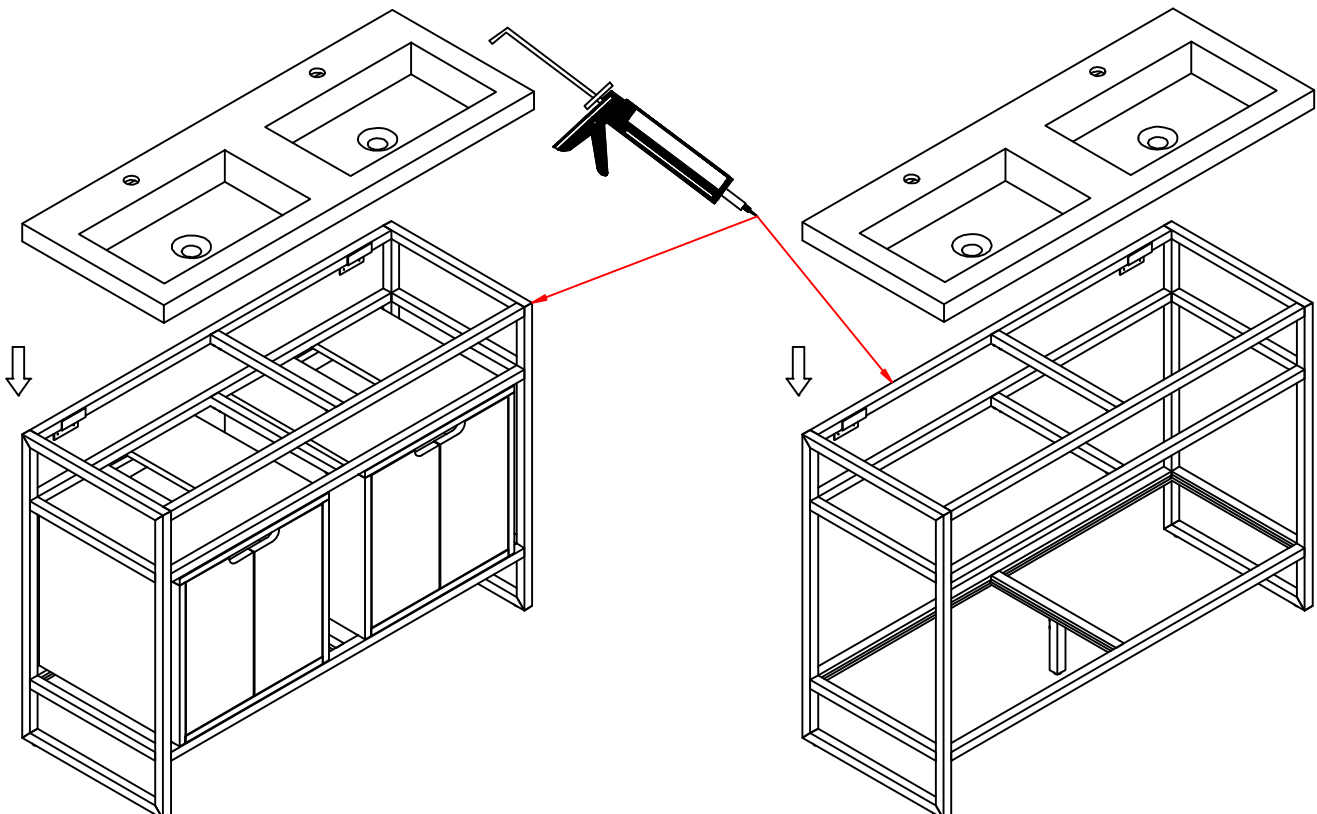
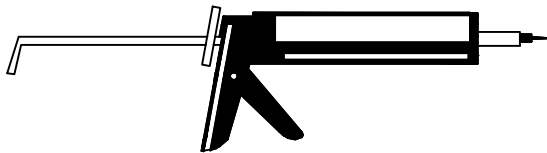
B= 4 PCS Screws Ø4*40



C= 2 PCS Bracket



Materials for Installation:



Step 9 Notes:

Properly align and secure the countertop to the cabinet with high quality adhesive.