

# GrindSmart® 1/3 HP Food Waste Disposer

## Product Specifications



### PRODUCT FEATURES

- Snap & Lock® 3-bolt universal mount system
- Space saving compact design
- High-speed 1900 RPM permanent magnet motor produces more power per pound
- Corrosion resistant grinding components
- Longest warranties in the industry demonstrates commitment to quality
- Safe for properly sized septic tanks

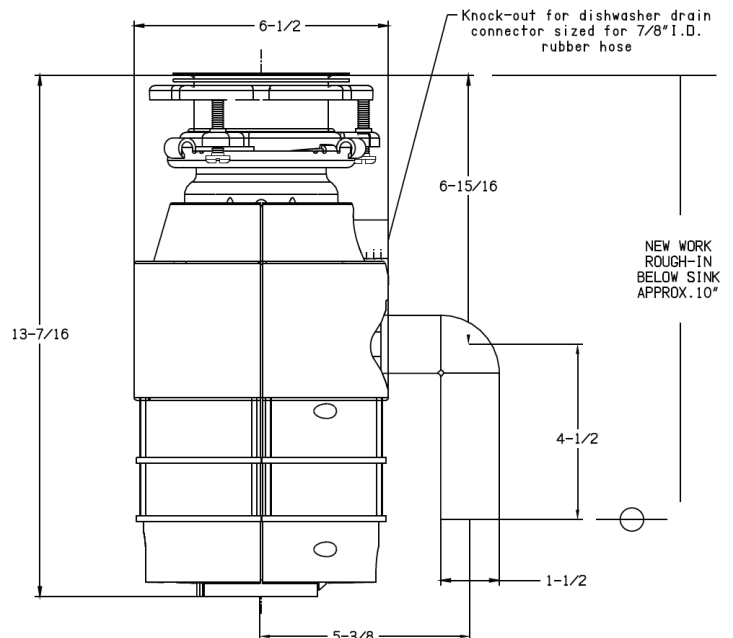


✓ To Submit	Part #	Description
	MLGS13C	1/3 HP Disposer, with Power Cord
	MLGS13	1/3 HP Disposer, less Power Cord

SPECIFICATIONS	
Motor Horse Power	1/3 HP
Motor Speed R.P.M.	1900
Voltage	115
Hz	60
Current-Amps	4
Motor Type	Permanent Magnet
Sink Flange	Stainless Steel
Stopper/Actuator	Positive Seal
Splash Guard	Not Removable
Waste Elbow	ABS
Feed	Continuous
Grinding Ring	Heavy Gauge Steel
Swivel Impellers	Stainless Steel
Turntable	Stainless Steel
Hopper	Glass Filled Nylon
Grinding Chamber	Corrosion Proof Glass Filled Polyester
Bearings	Permanently Lubricated, Sleeve Type
Overload Protector	Manual Reset Type
Shipping Weight	11 Lbs.
Power Cord Included	3 Ft. (MLGS13C)



In-home Service Warranty covers replacement parts and repair labor to correct defects in materials and workmanship from the date of purchase. If service is requested during the warranty period, we will replace or repair the disposer in the customer's home at no charge. This warranty is limited to the original purchaser.



### Warranty

See warranty information for more details.

All dimensions listed are nominal. MAINLINE® reserves the right to make product and material changes at any time without notice.

Contact your sales representative for more information or visit our website at [mainlinecollection.com](http://mainlinecollection.com)