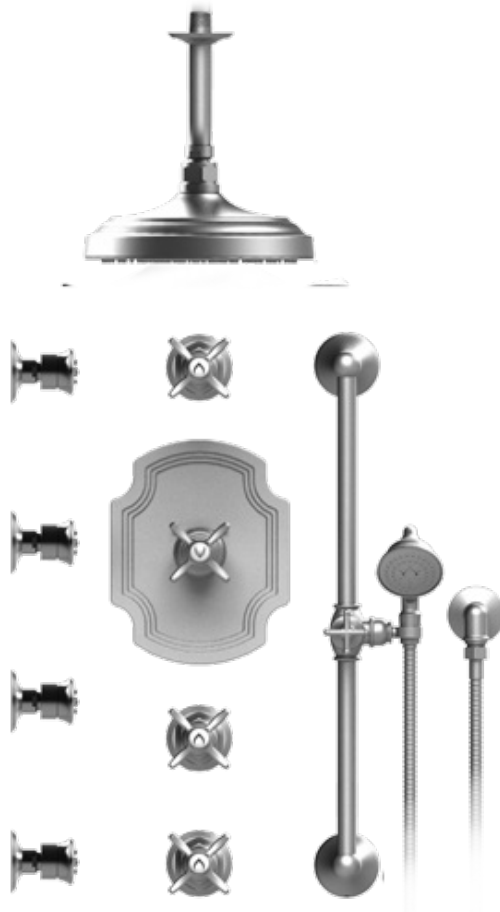
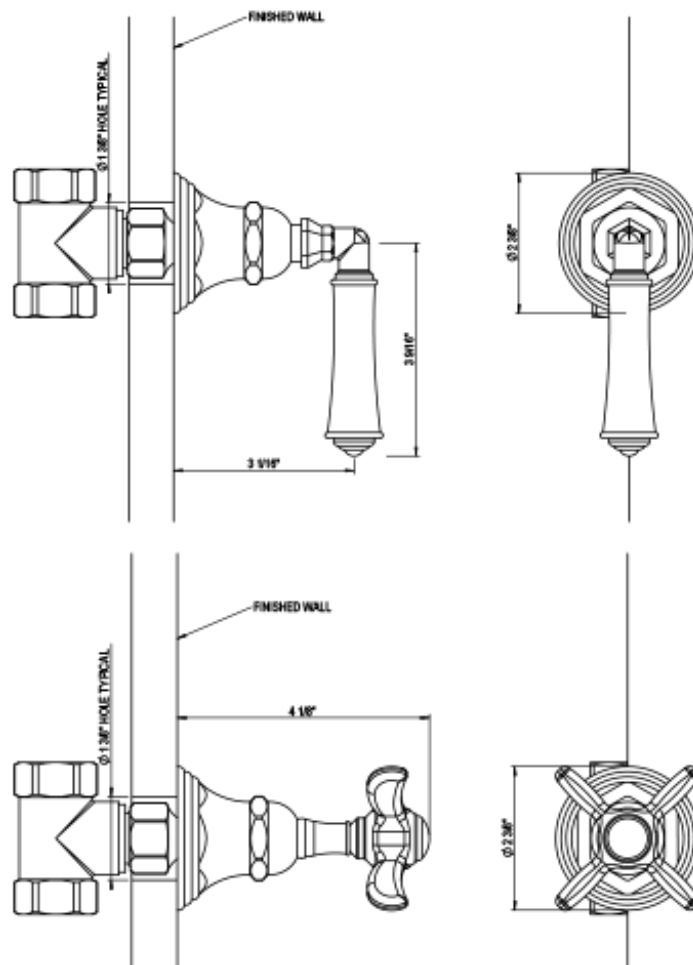


# 47RVLCHCH Specifications



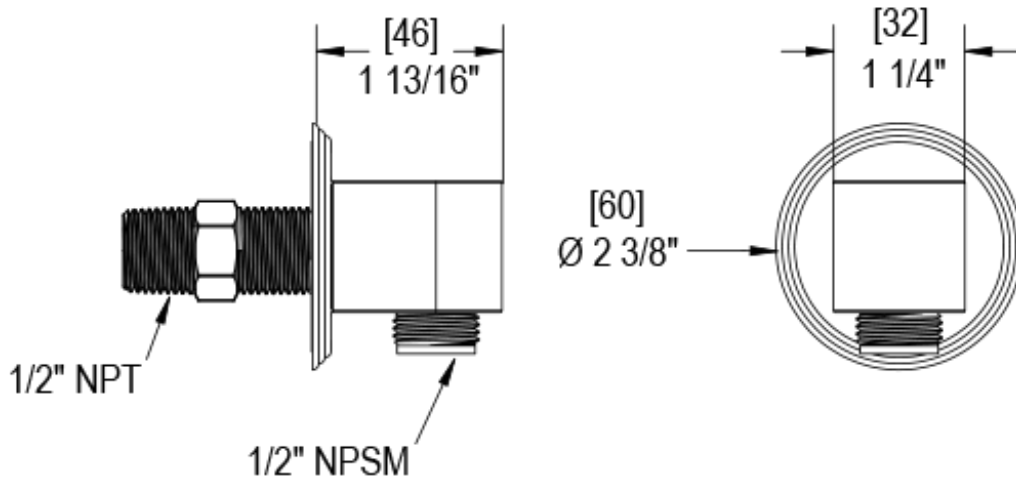


VOLUME CONTROL VALVE TRIM ONLY



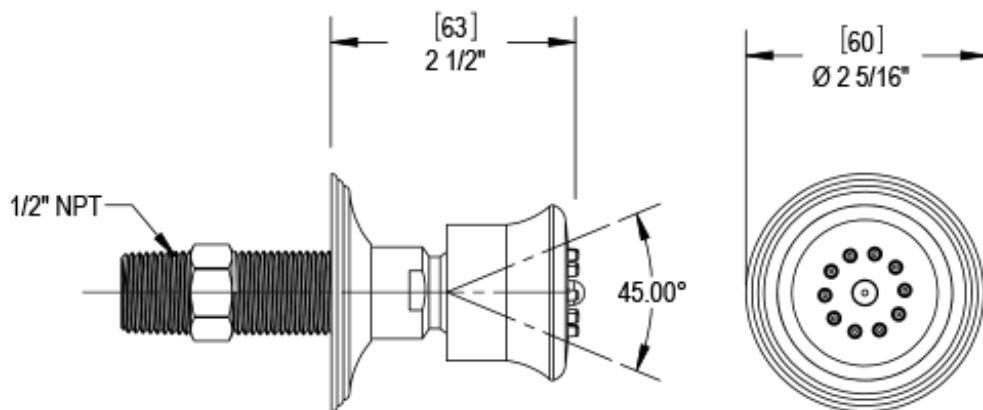


INTEGRAL SUPPLY WITH 1/2" NPT X 1/2" NPSM X 3" NIPPLE



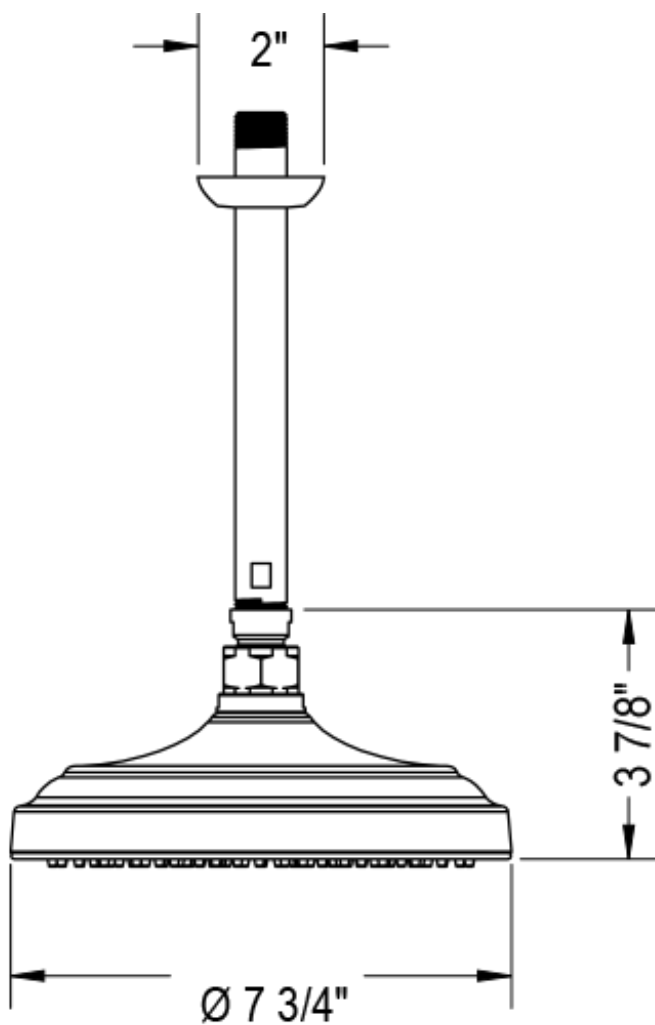


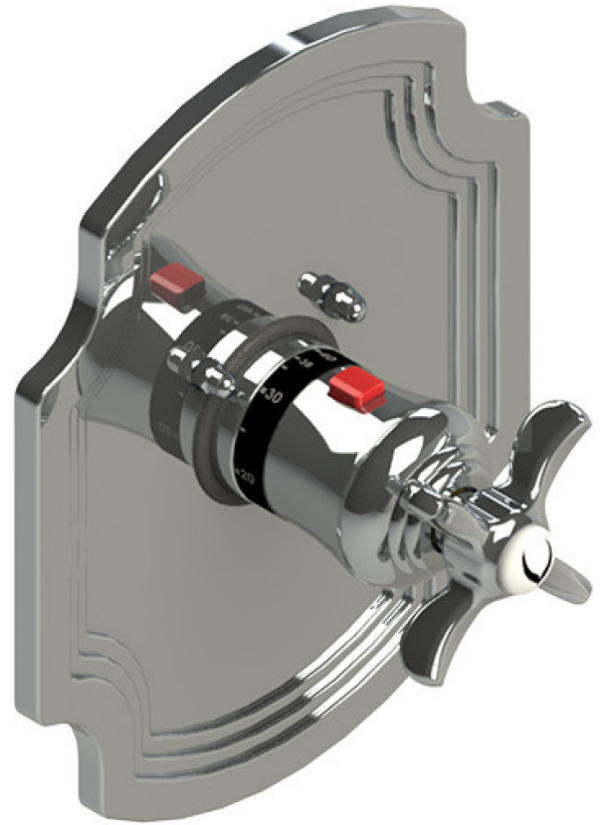
BODY SPRAY WITH 1/2" NPT X 1/2" NPSM X 3" NIPPLE X QTY 4 INCLUDED





8" SHOWER HEAD WITH CEILING MOUNT 8" SHOWER ARM & FLANGE





TEMPERATURE CONTROL VALVE WITH STOPS, TRIM ONLY

