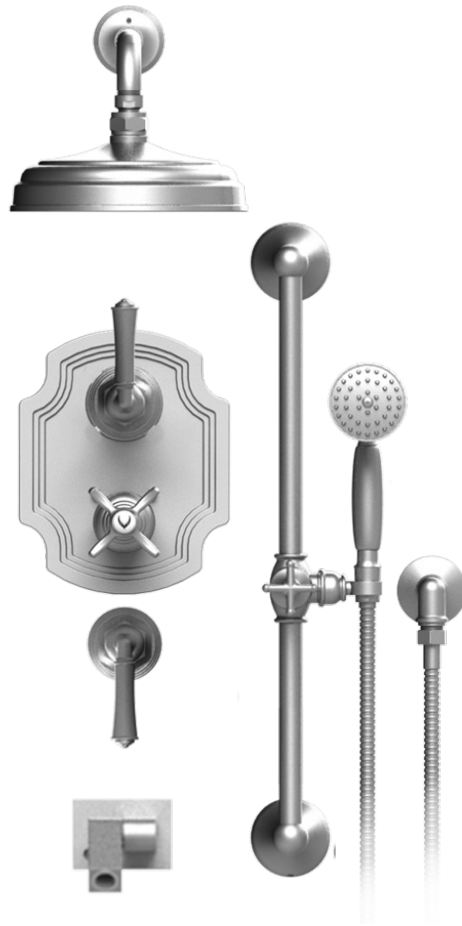
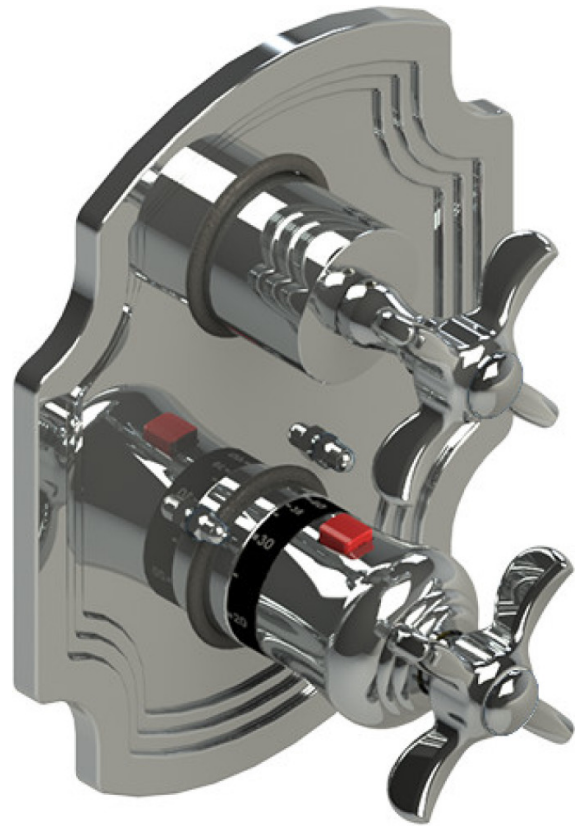
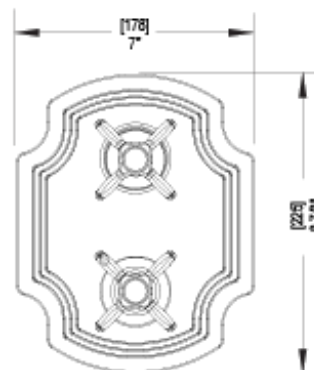
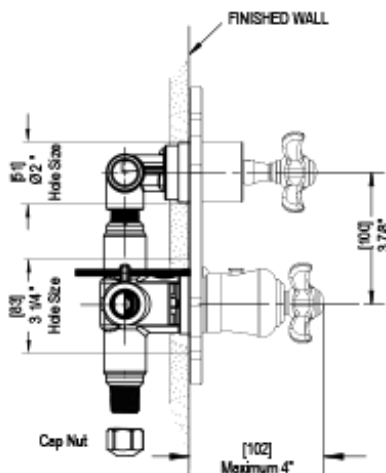
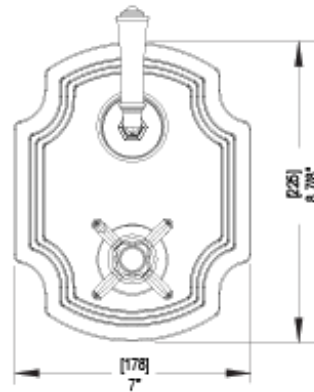
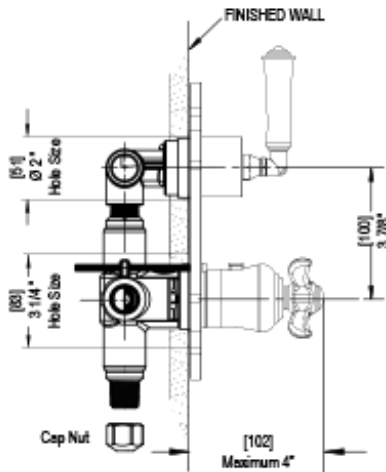


27RVCCHCH Specifications



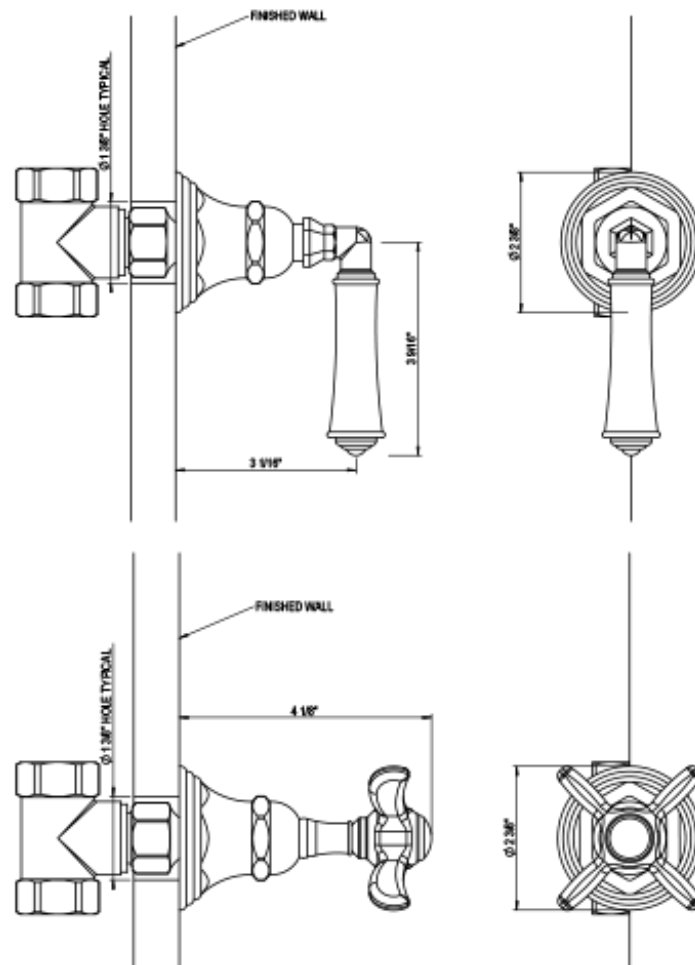


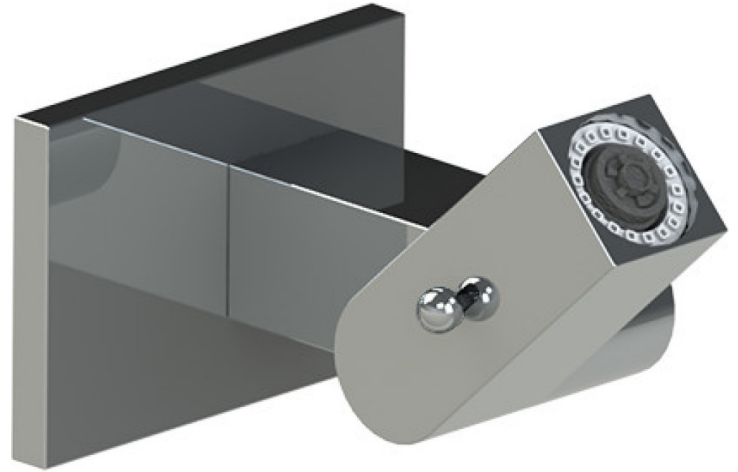
TEMPERATURE CONTROL VALVE WITH STOPS & TWO WAY DIVERTER WITH SHUT-OFF, TRIM ONLY



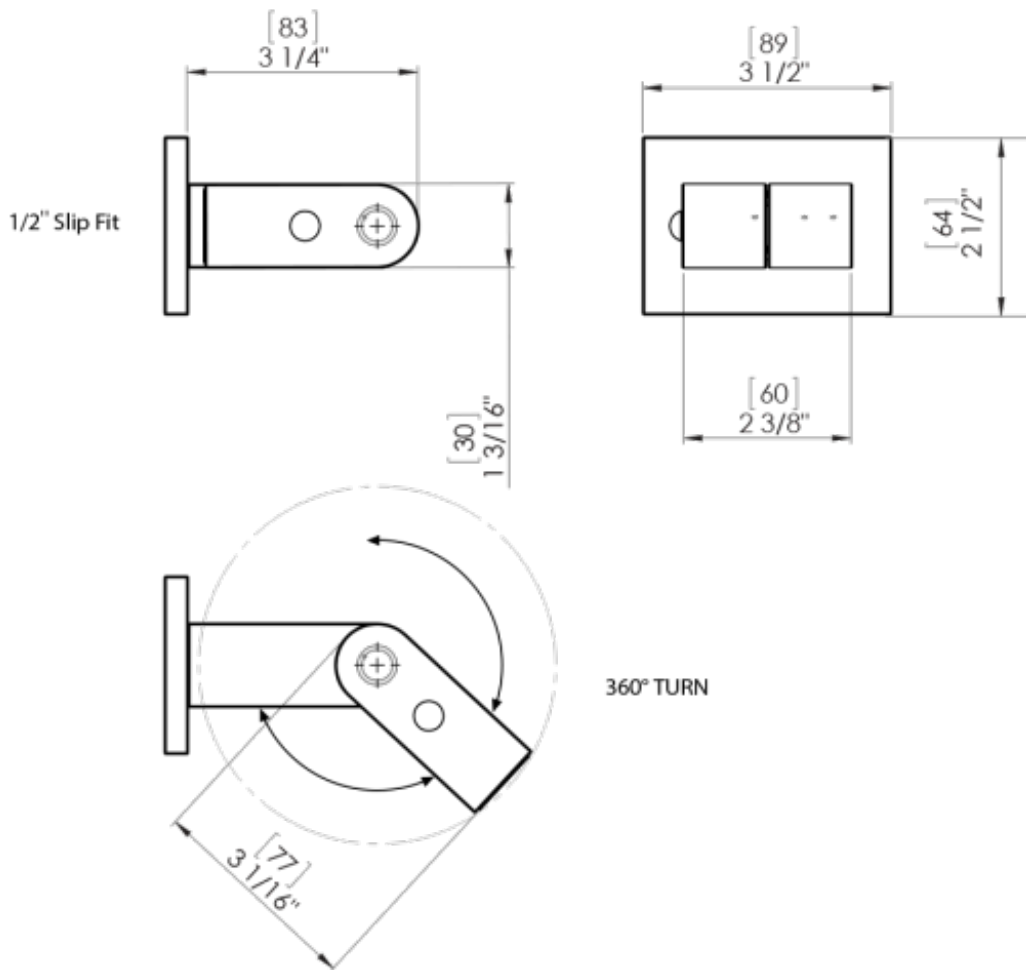


VOLUME CONTROL VALVE TRIM ONLY



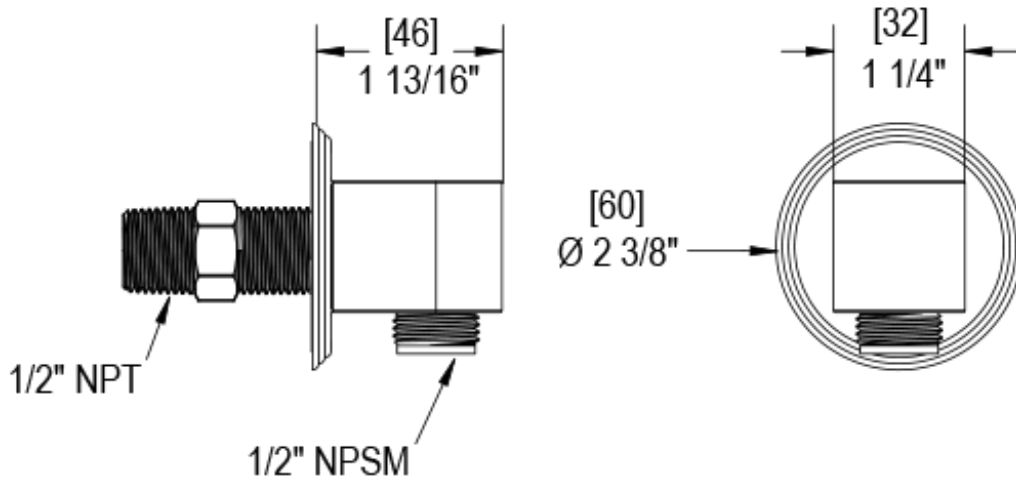


WALL MOUNT BIDET & FOOT RINSE WITH DUAL FUNCTION SPRAY





INTEGRAL SUPPLY WITH 1/2" NPT X 1/2" NPSM X 3" NIPPLE





8" SHOWER HEAD WITH WALL MOUNT 12" SHOWER ARM & FLANGE

