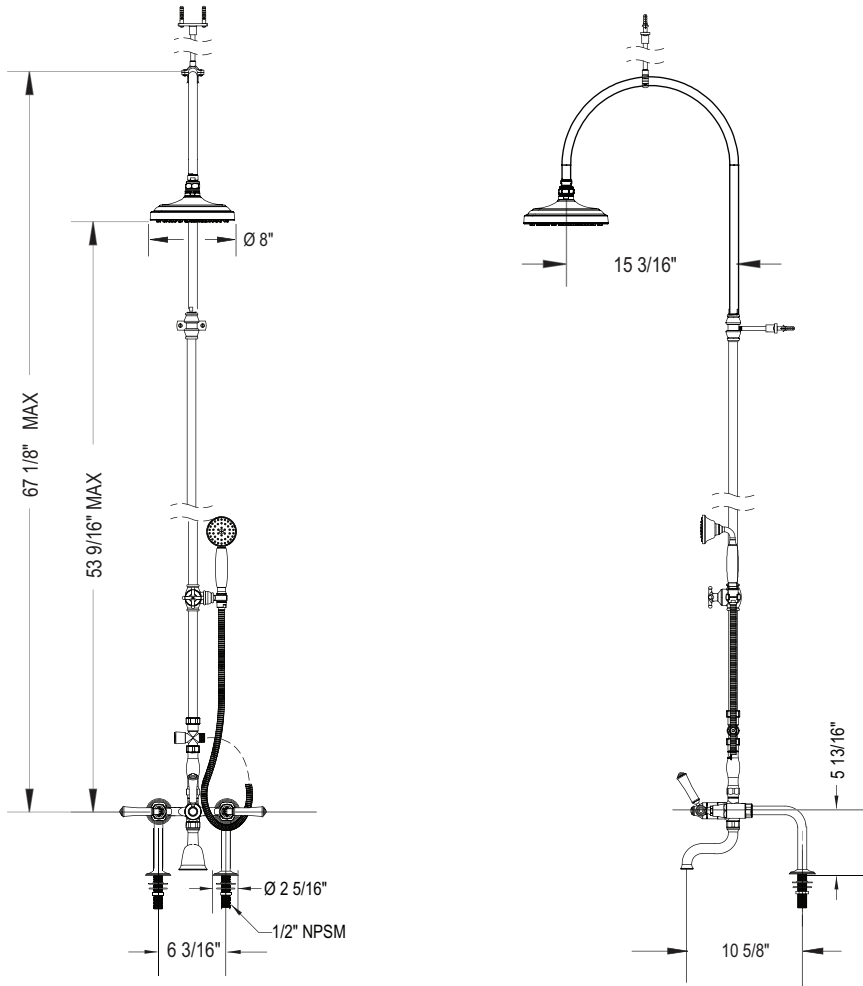


FEATURES:

- Brass construction with choice of 21 finishes
- Quarter Turn adjustable, ceramic disc cartridges
- Two Lever or Cross handles
- Hand Held Shower with 60" Hose (2.5 gpm @ 60 psi)
- 8" Shower Head (2.5 gpm @ 60 psi)
- Built-in double check valve

**CONTACT US:**

If you need assistance with installation, replacement parts or have any questions regarding your Rubinet product, please call a Customer Service representative at: 905-851-6781 toll free 1-800-461-5901 or visit www.rubinet.com

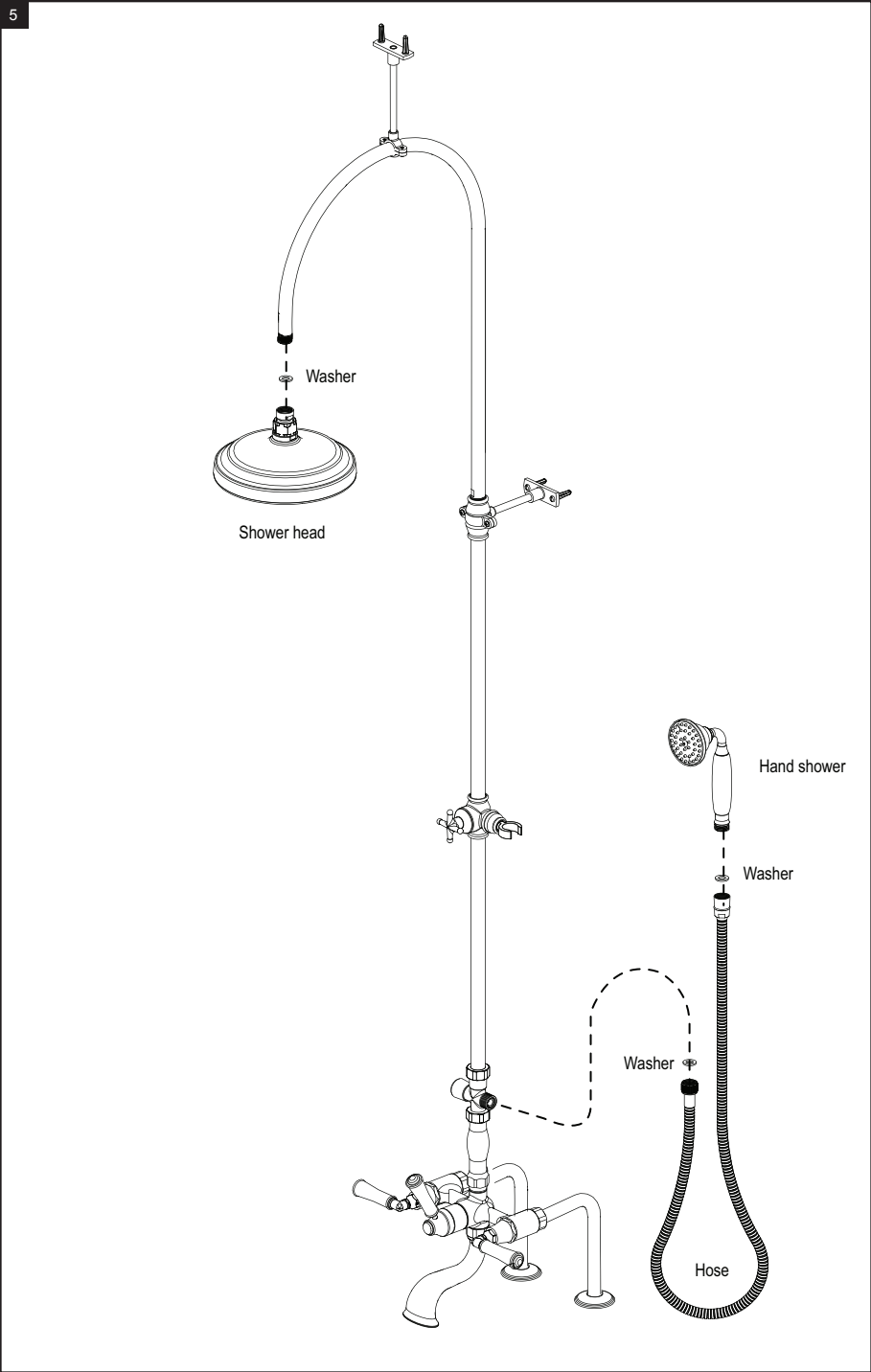
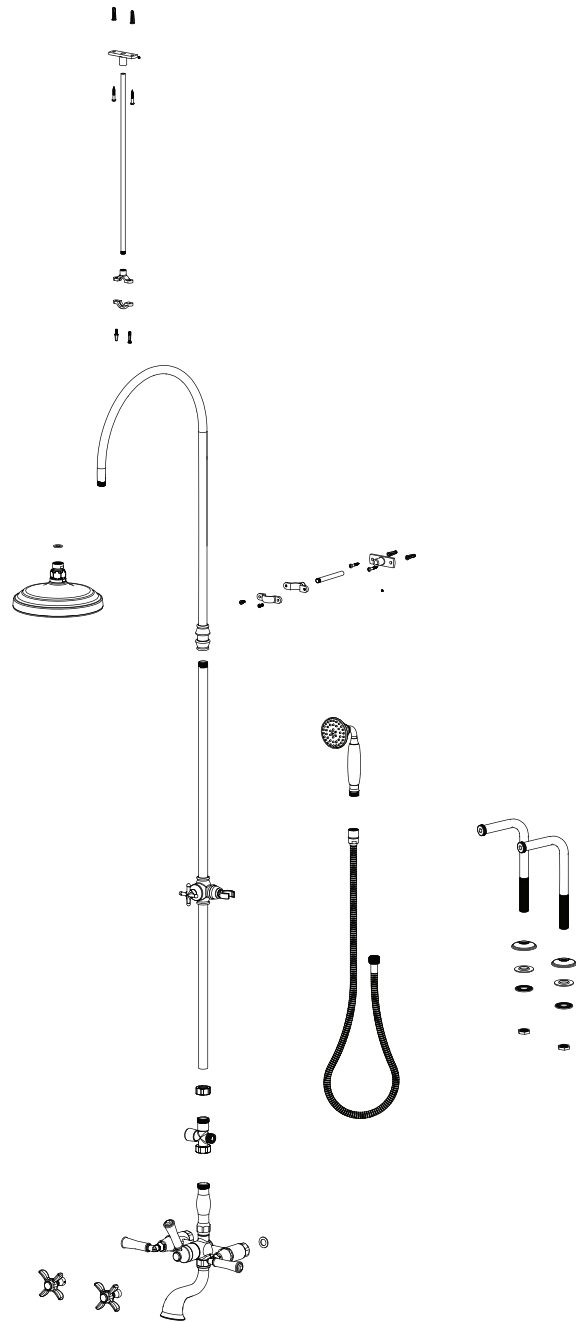
161104

THE **Rubinet** FAUCET COMPANY**ASSEMBLY INSTRUCTION****2DRVL or C****DECK MOUNT TUB & SHOWER WITH HAND HELD SHOWER****2DRVL****2DRVC****REMOVAL OF FIXTURE:**

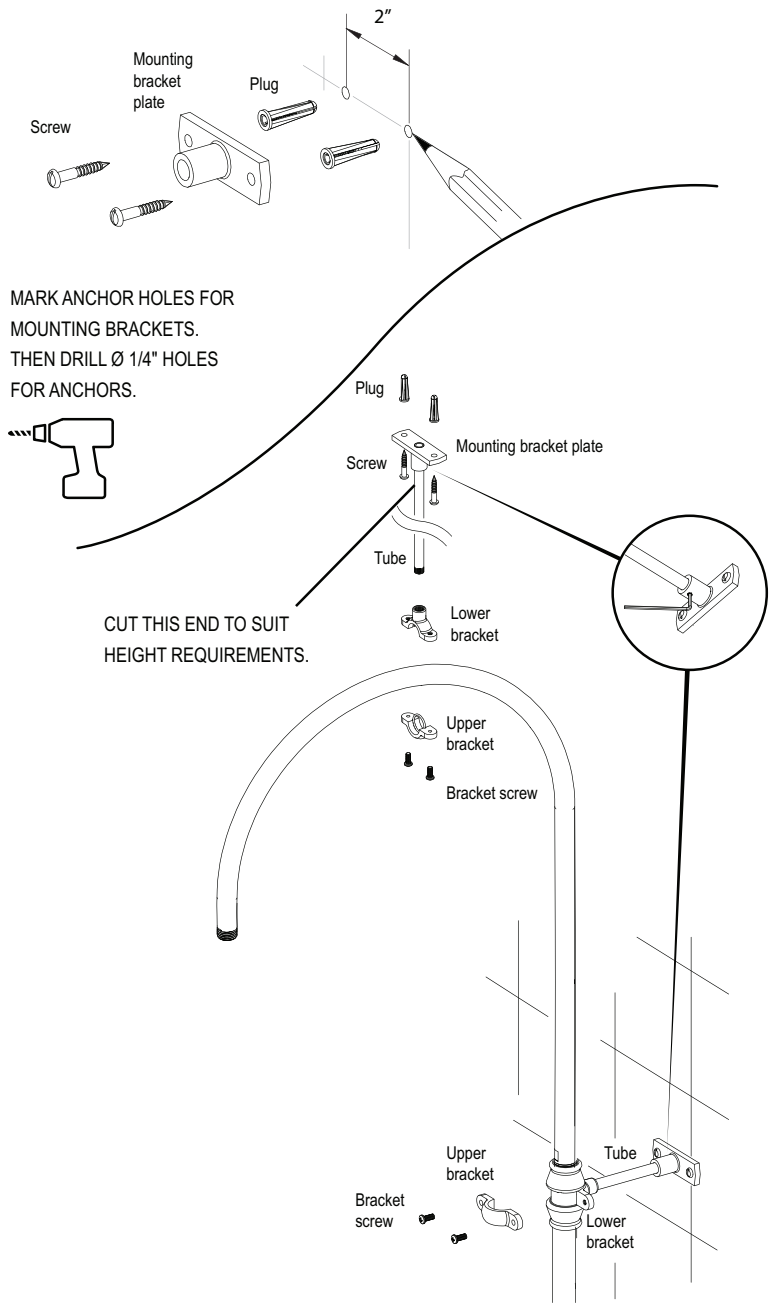
Always turn the water supply off before removing the existing fixture or disassembling a valve. Open both fixture handles to relieve water pressure and to ensure that the water has been successfully turned off.

CARE OF FIXTURE:

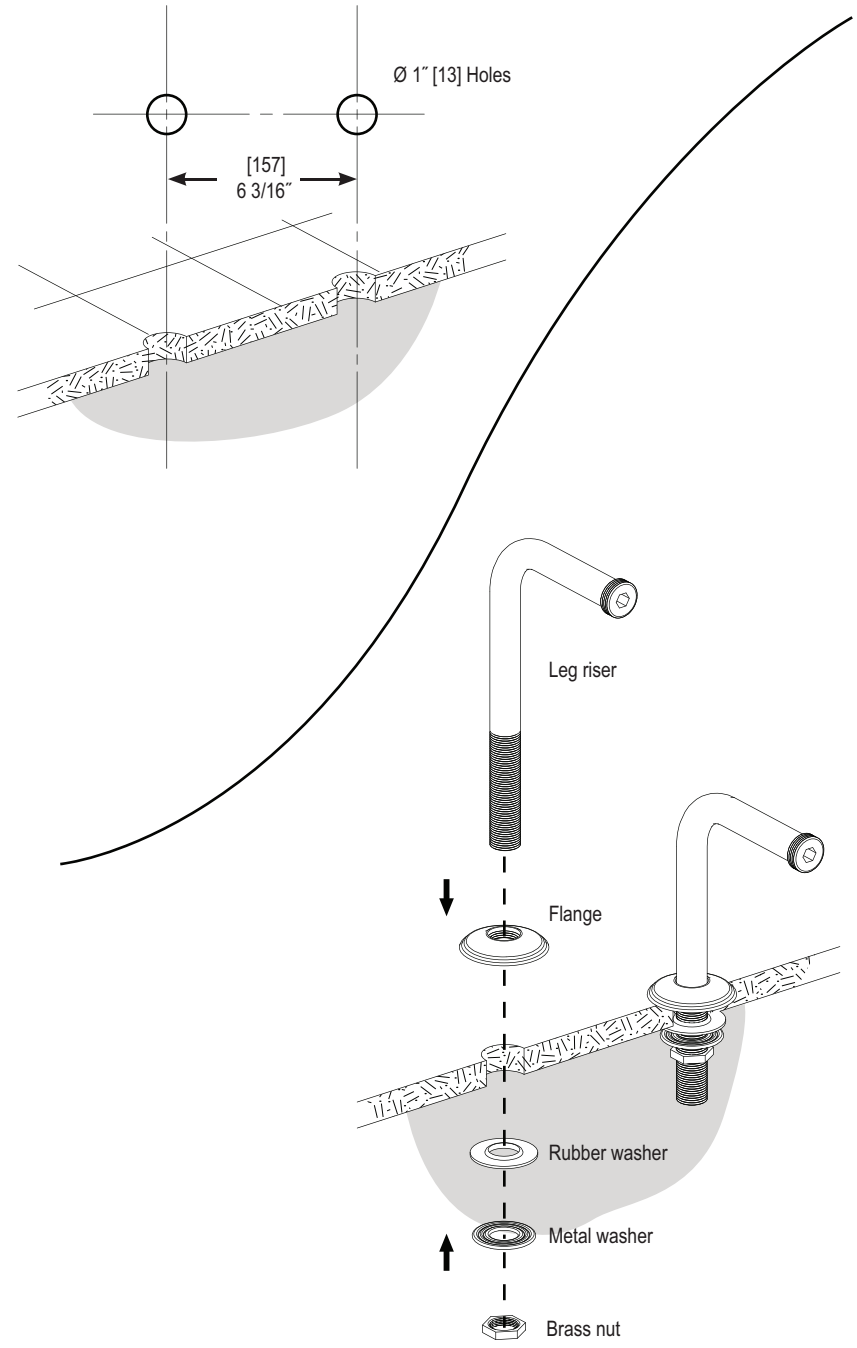
The use of warm water and a soft cloth is all that is required to clean Rubinet products. The patina of our living finishes (Oil Rubbed Bronze & Tuscan Brass) will change as a result of normal use. Applying Mineral Oil on occasion will create a softer look, subtle color changes and character.



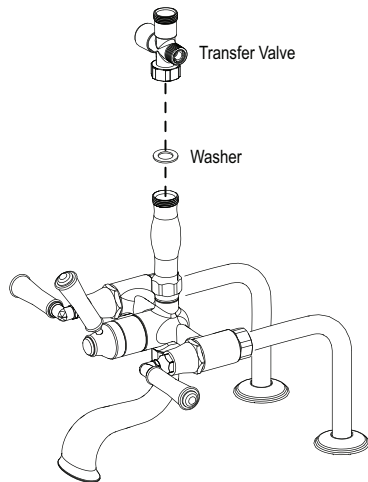
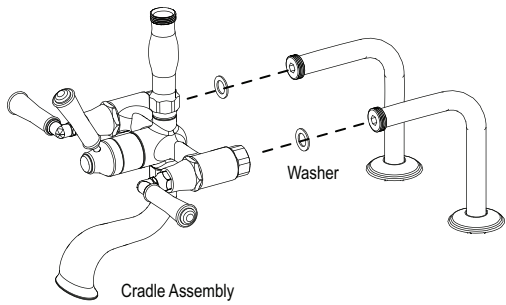
4



1



2



3

