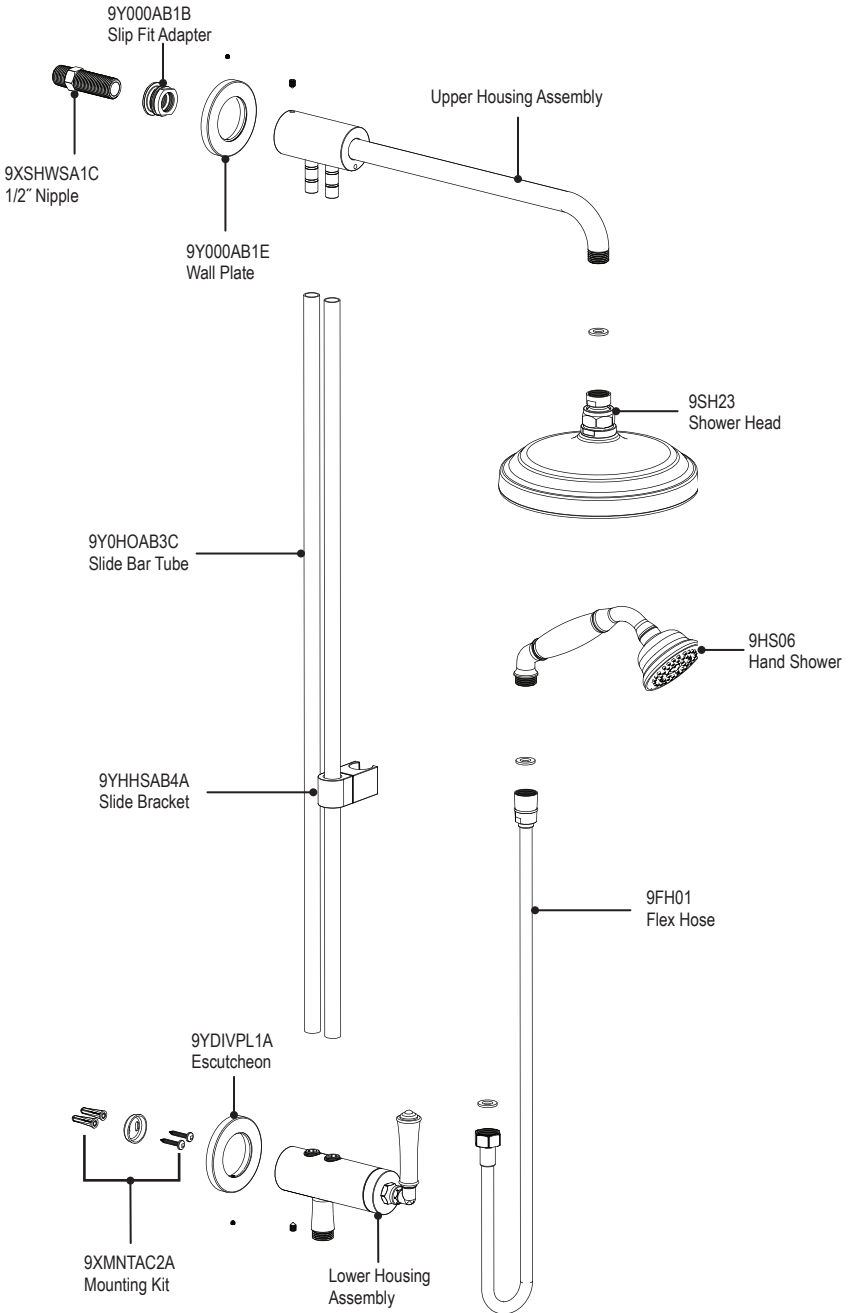


**ASSEMBLY INSTRUCTION****4URV2****30" Slide Bar with Fixed Shower Head,  
Adjustable Hand Held Shower & Diverter****4URV2****REMOVAL OF FIXTURE:**

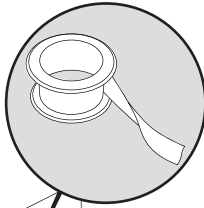
Always turn the water supply off before removing the existing fixture or disassembling a valve. Open all handles to relieve water pressure and to ensure that the water has been successfully turned off.

**CARE OF FIXTURE:**

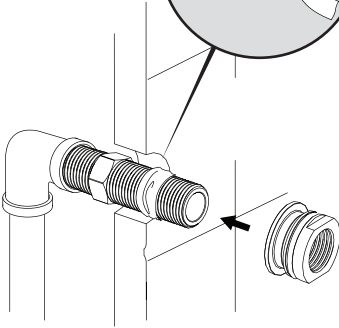
The use of warm water and a soft cloth is all that is required to clean Rubinet products. The patina of our living finishes (Oil Rubbed Bronze & Tuscan Brass) will change as a result of normal use. Applying Mineral Oil on occasion will create a softer look, subtle color changes and character.



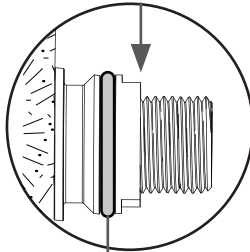
1



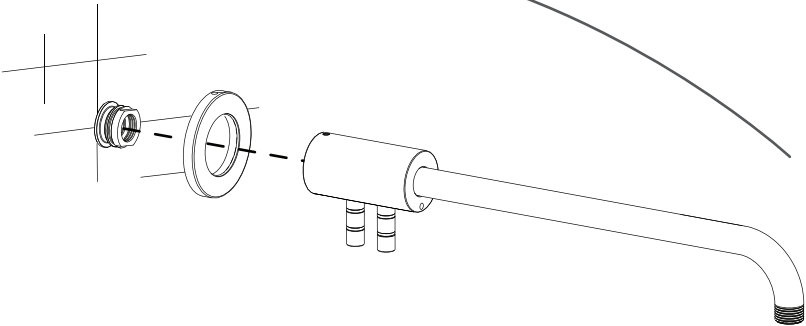
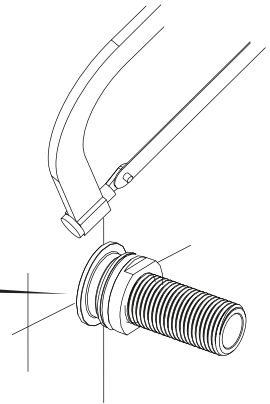
THREAD SEALING TAPE



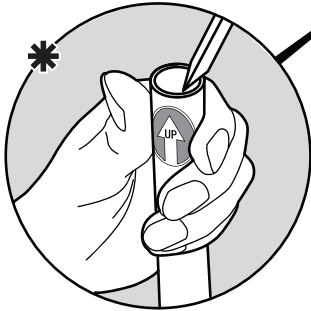
**\*MUST CUT FLUSH TO THE SLIP FIT ADAPTER**



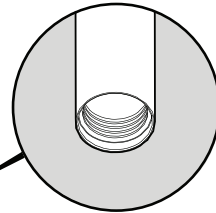
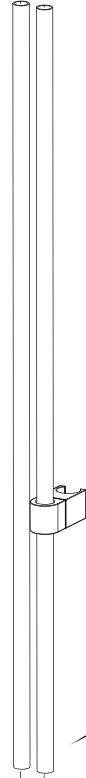
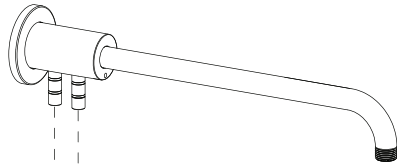
O-RING



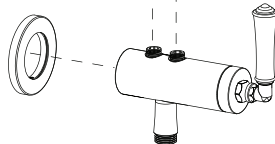
2



**TO ADJUST HEIGHT:**  
- CUT **TOP END** OF THE TUBE.  
- **INSIDE** OF THE TUBE MUST  
BE **FREE OF ANY BURRS**  
TO PREVENT O-RING DAMAGE.

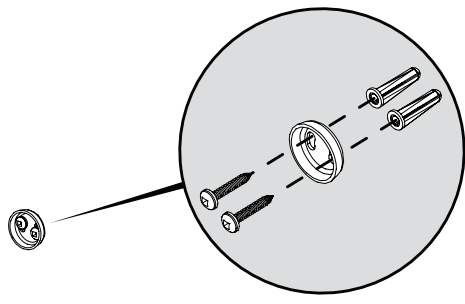
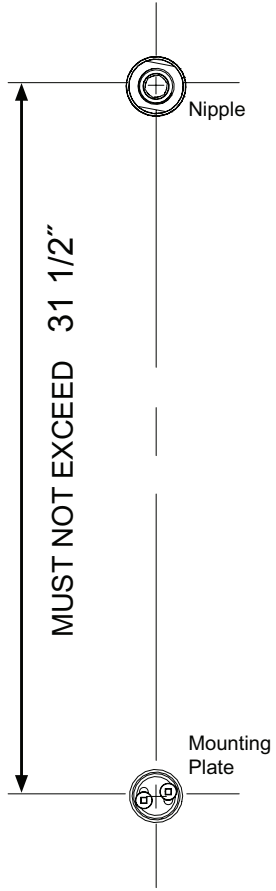
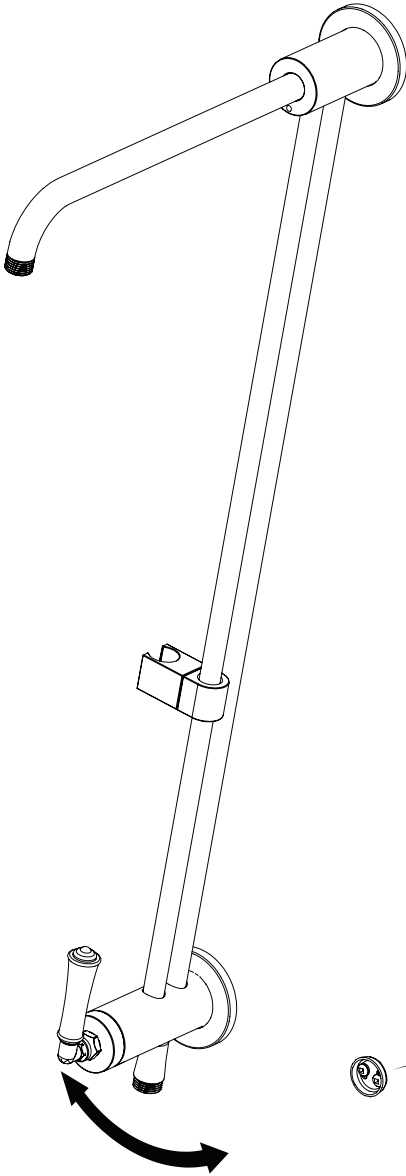


**THREADED END DOWN**

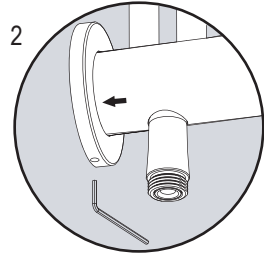
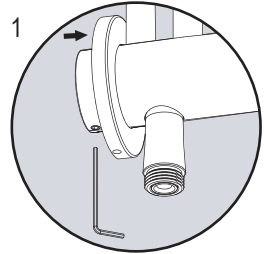
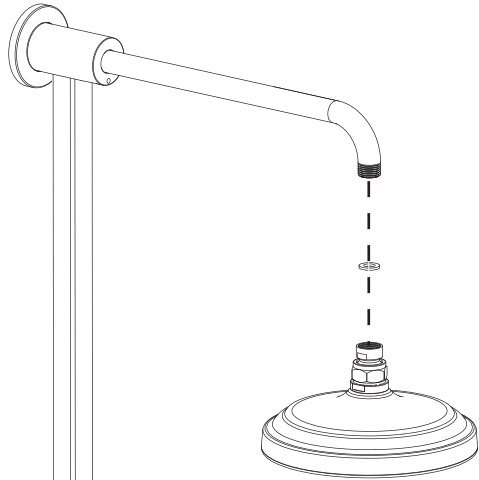
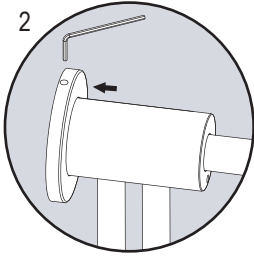
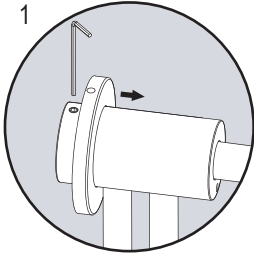


\* Do not tighten set screws for Slide Bar adjustment later

3

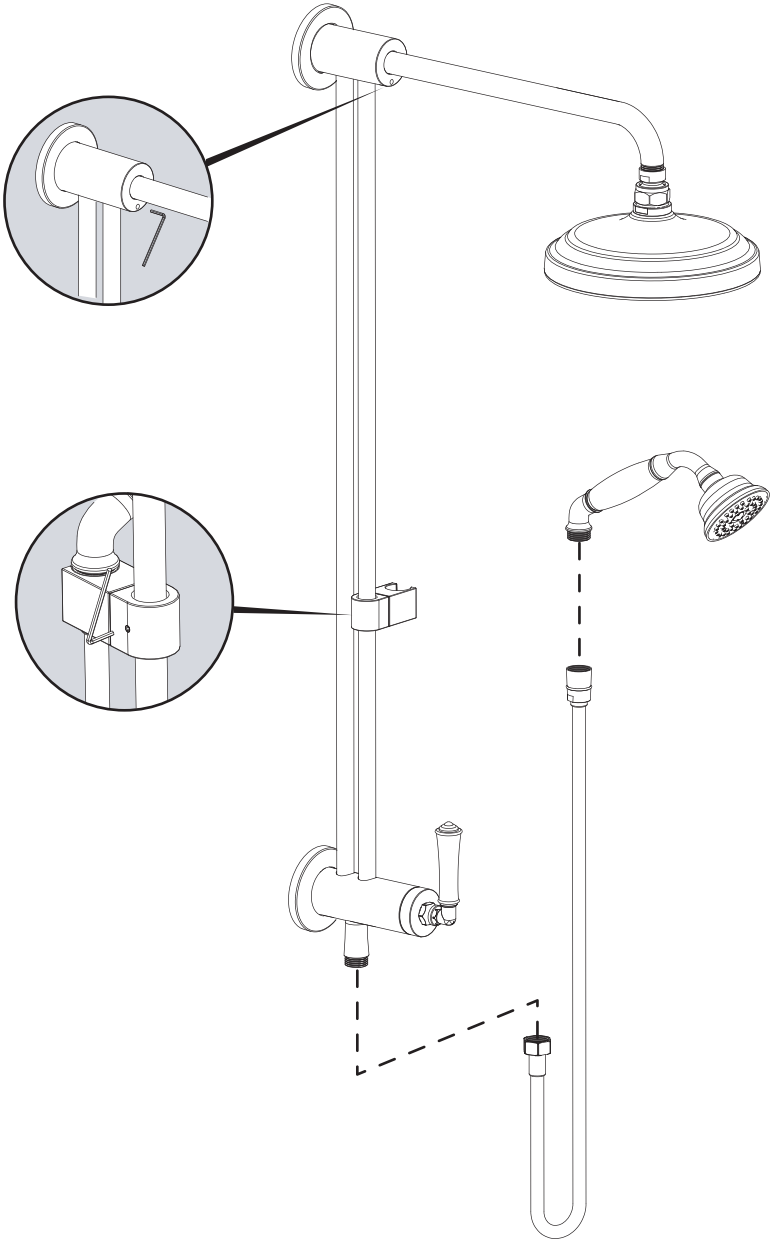


4



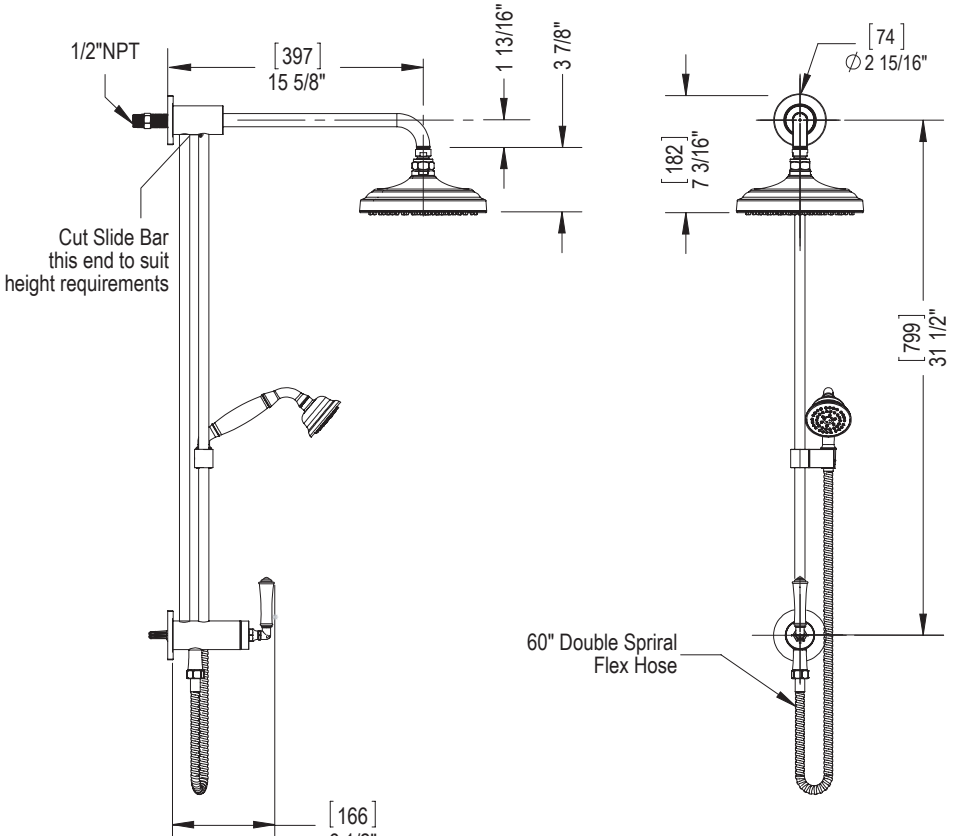
\* Tighten all set screws before installing the Shower Head

5



**FEATURES:**

- Brass construction with choice of 21 finishes
- Requires tempered water supply
- Fixed Shower Head & Adjustable Hand Held Shower
- Quarter turn diverter mechanism
- 2.5 gpm @ 60 psi



**CONTACT US:**

If you need assistance with installation, replacement parts or have any questions regarding your Rubinet product, please call a Customer Service representative at: 905-851-6781 toll free 1-800-461-5901 or visit [www.rubinet.com](http://www.rubinet.com)