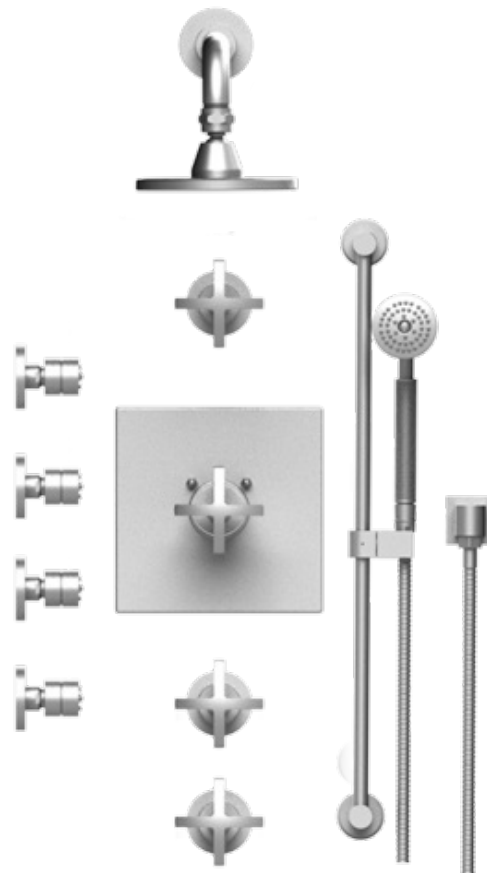
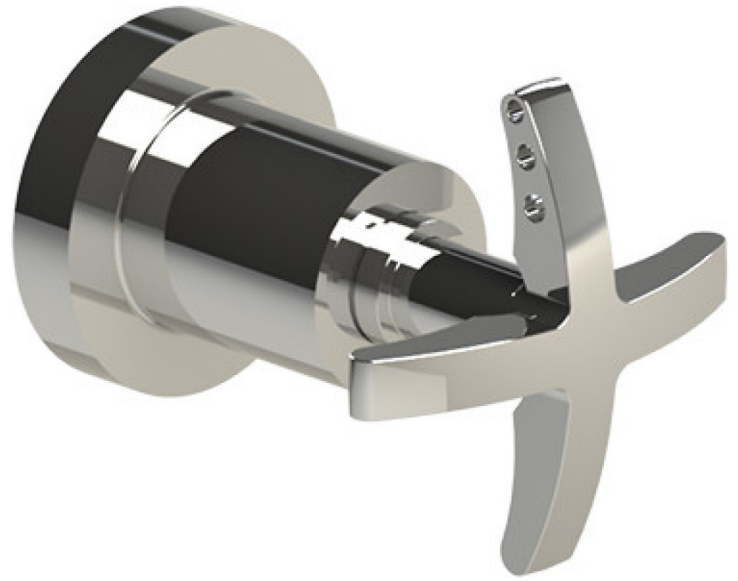
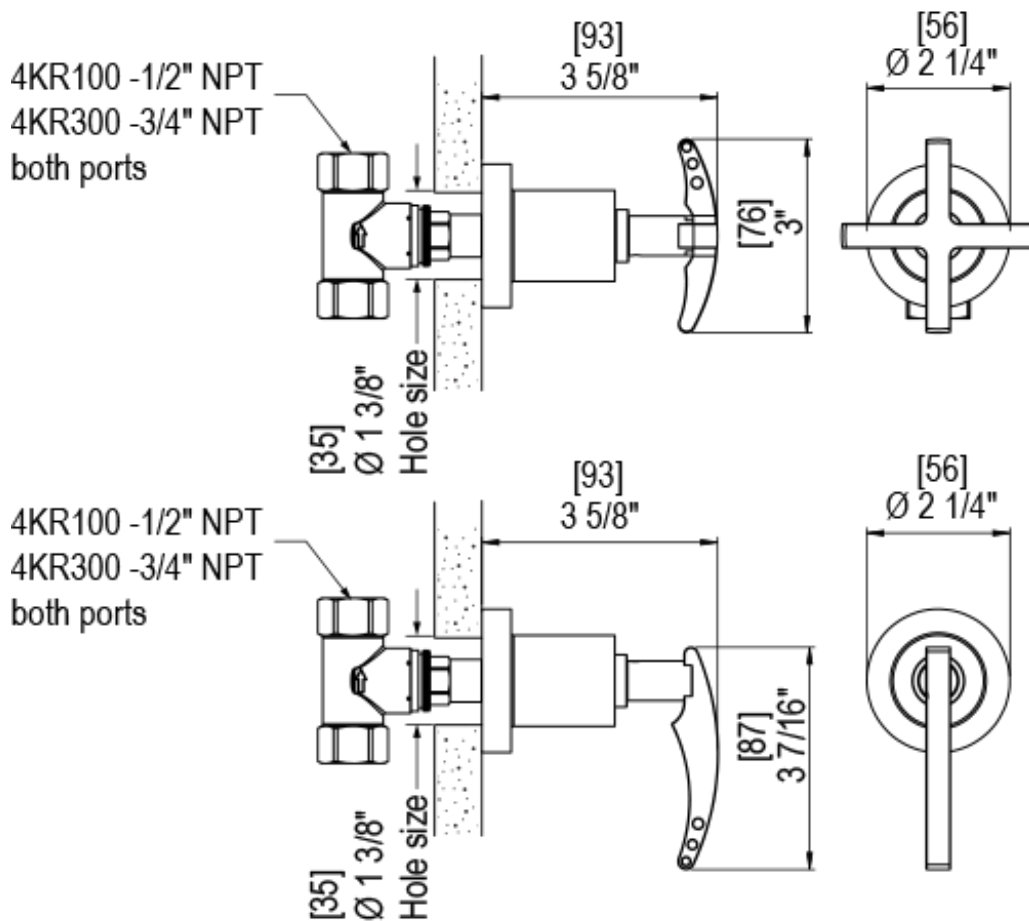


45LACCHCH Specifications



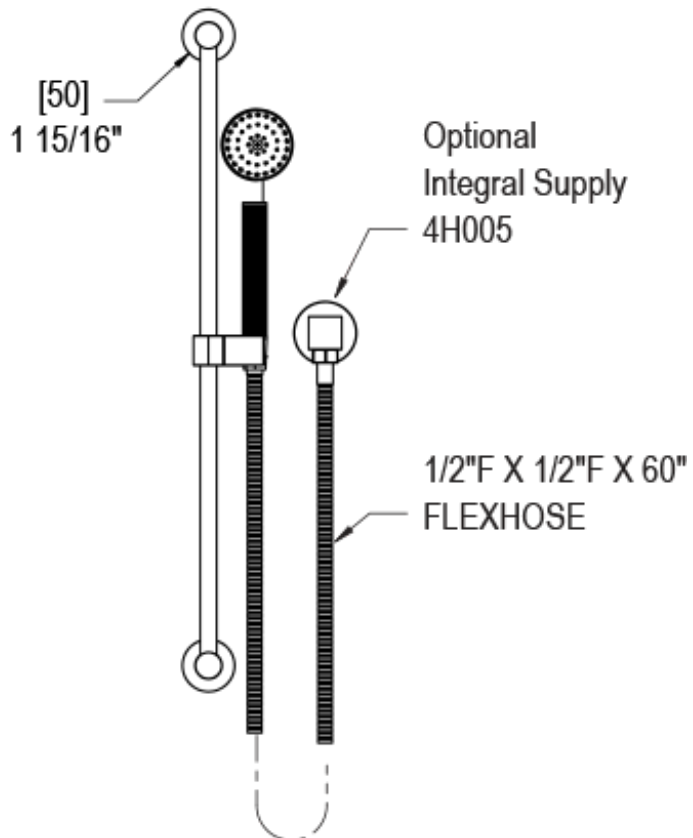
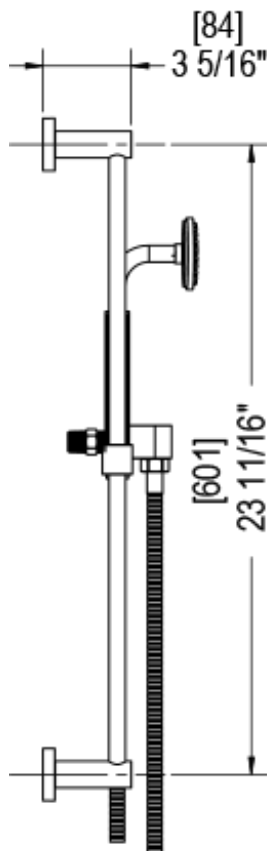


VOLUME CONTROL VALVE TRIM ONLY



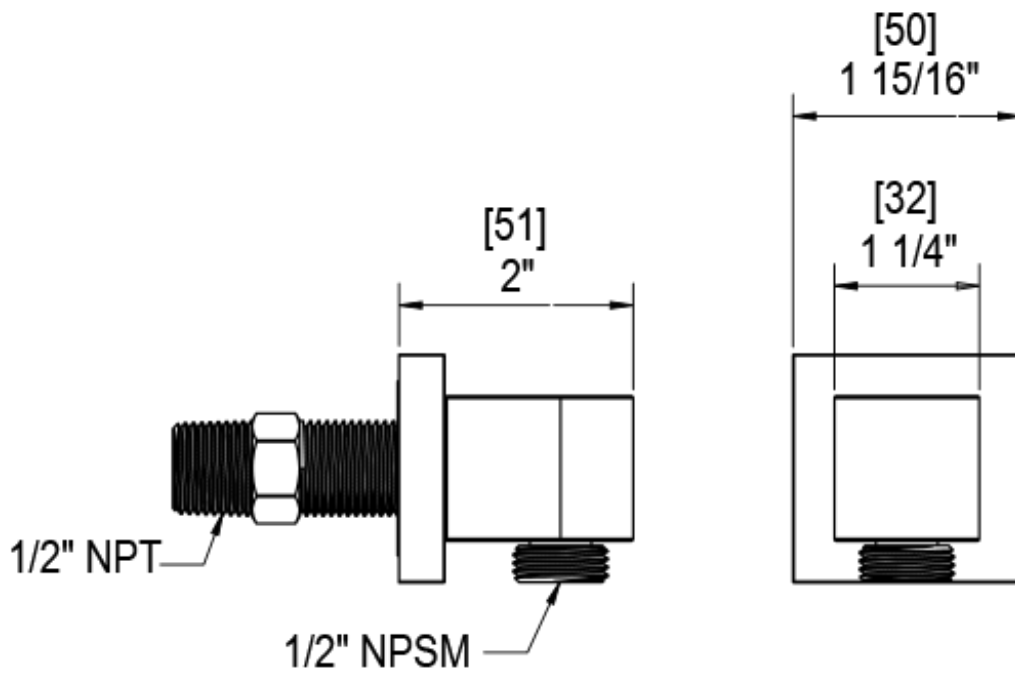


ADJUSTABLE SLIDE BAR WITH HAND HELD SHOWER ASSEMBLY



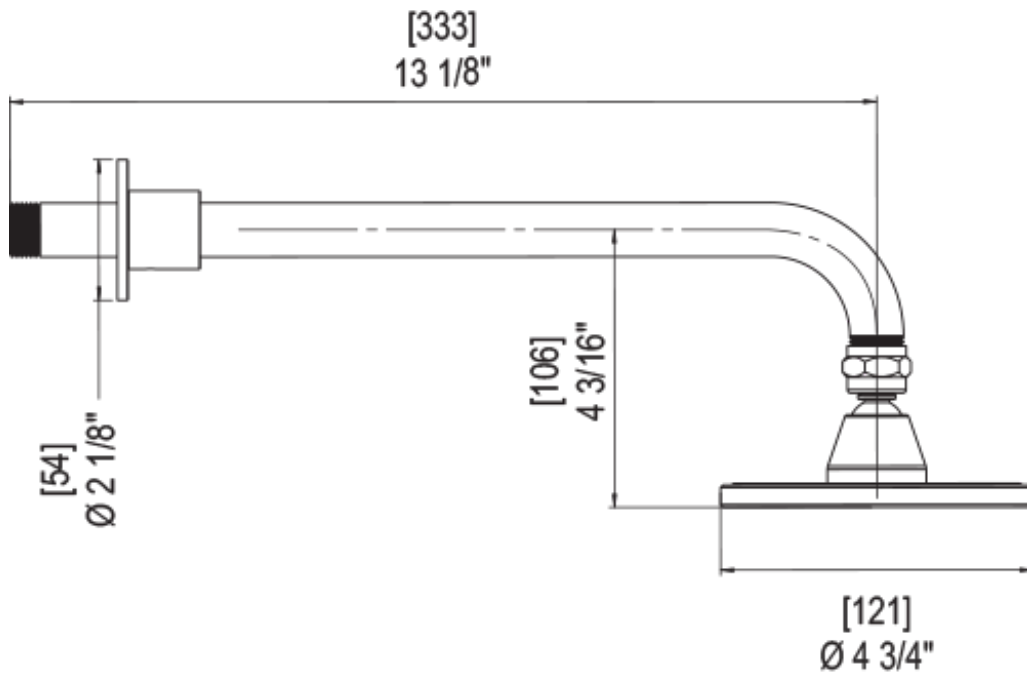


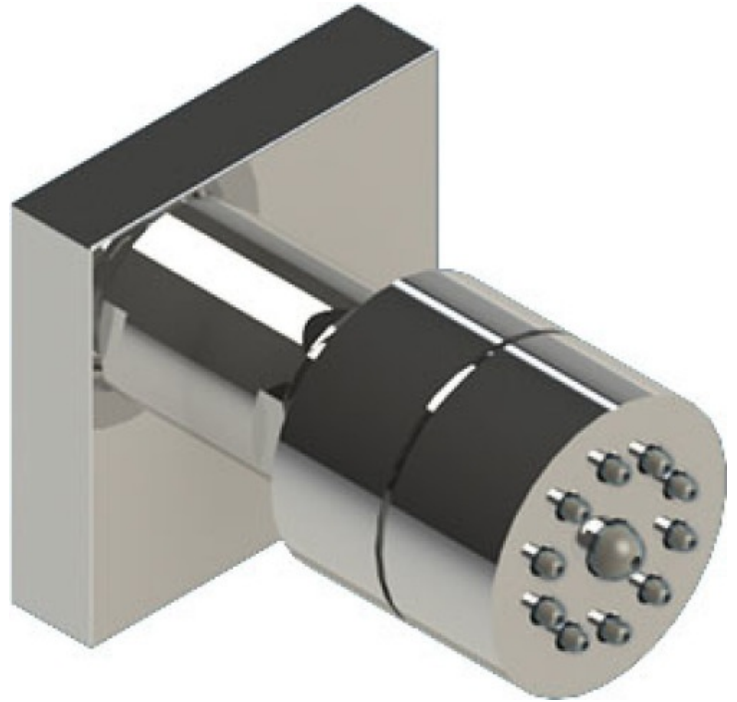
INTEGRAL SUPPLY WITH 1/2" NPT X 1/2" NPSM X 3" NIPPLE



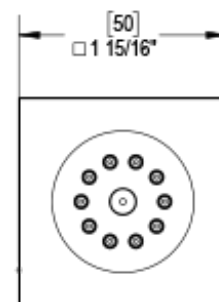
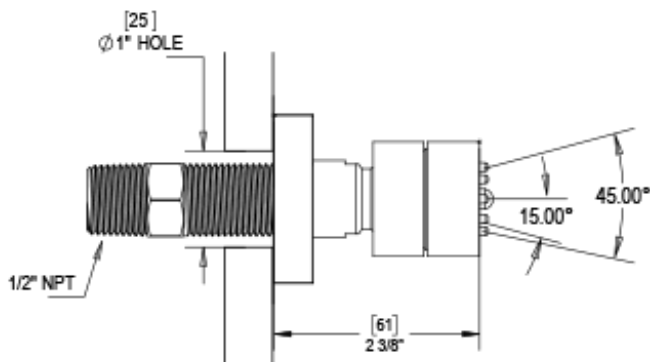


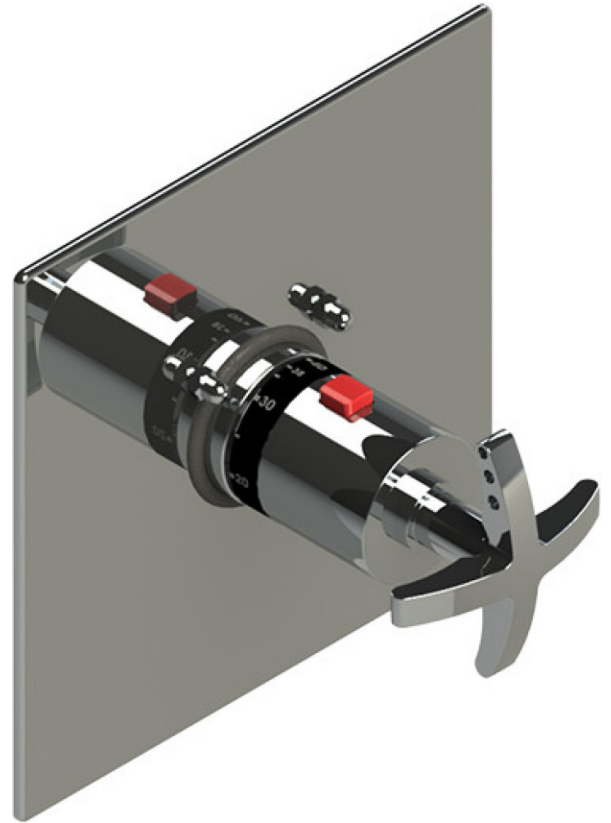
5" SHOWER HEAD WITH WALL MOUNT 12" SHOWER ARM & FLANGE





BODY SPRAY WITH 1/2" NPT X 1/2" NPSM X 3" NIPPLE X QTY 4 INCLUDED





TEMPERATURE CONTROL VALVE WITH STOPS TRIM ONLY

