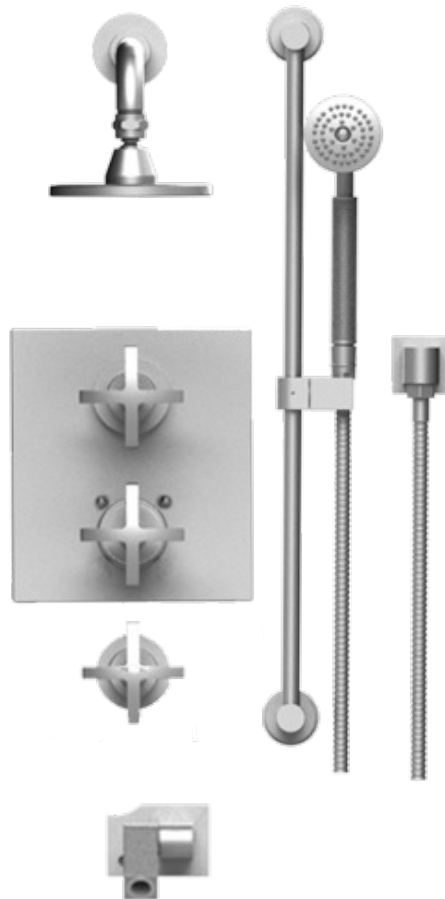
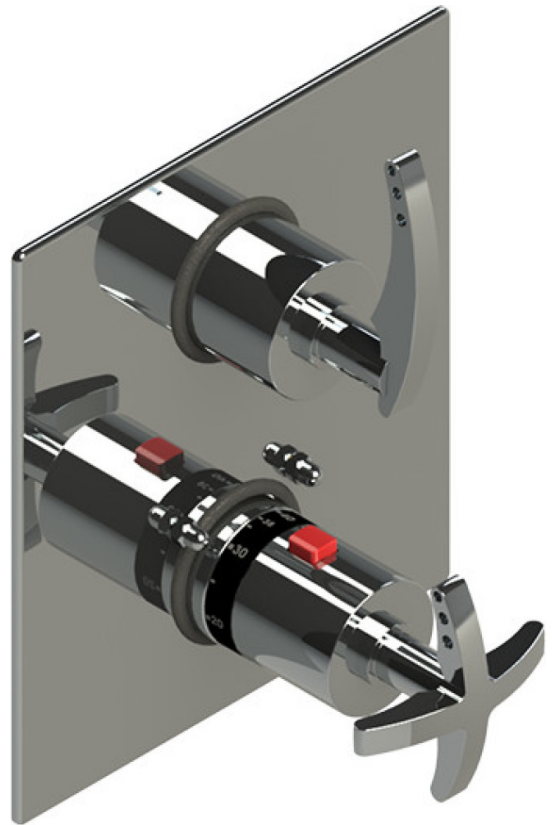
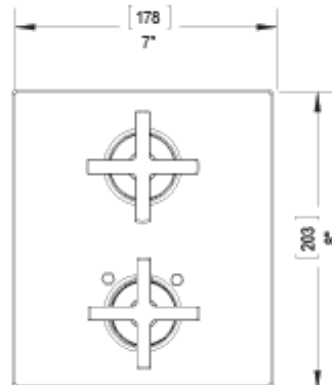
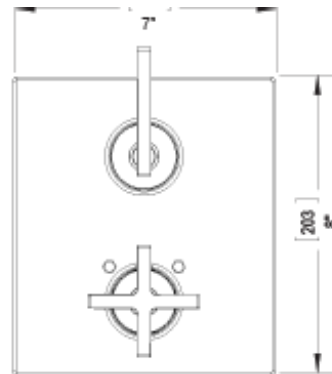
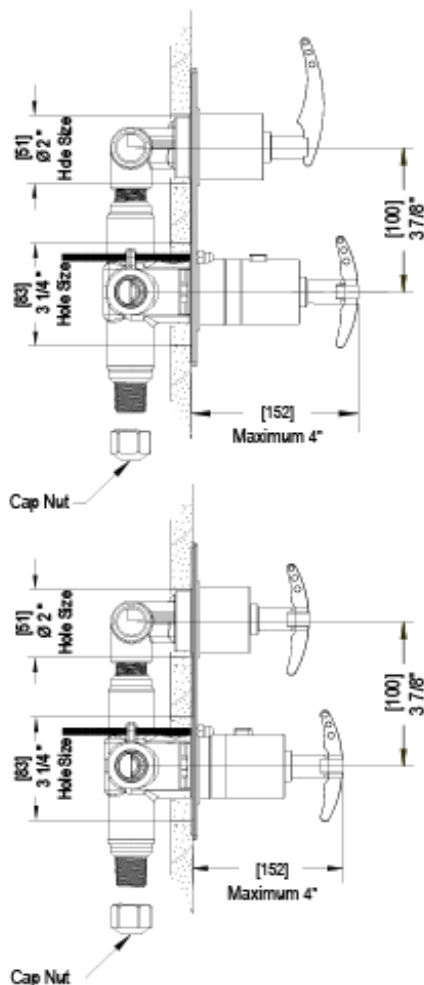


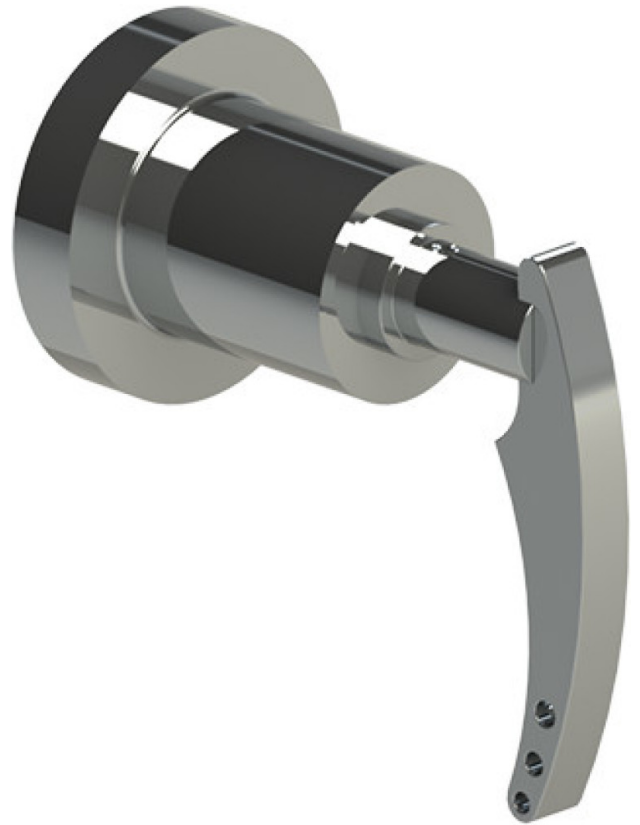
# 26LALCHCH Specifications



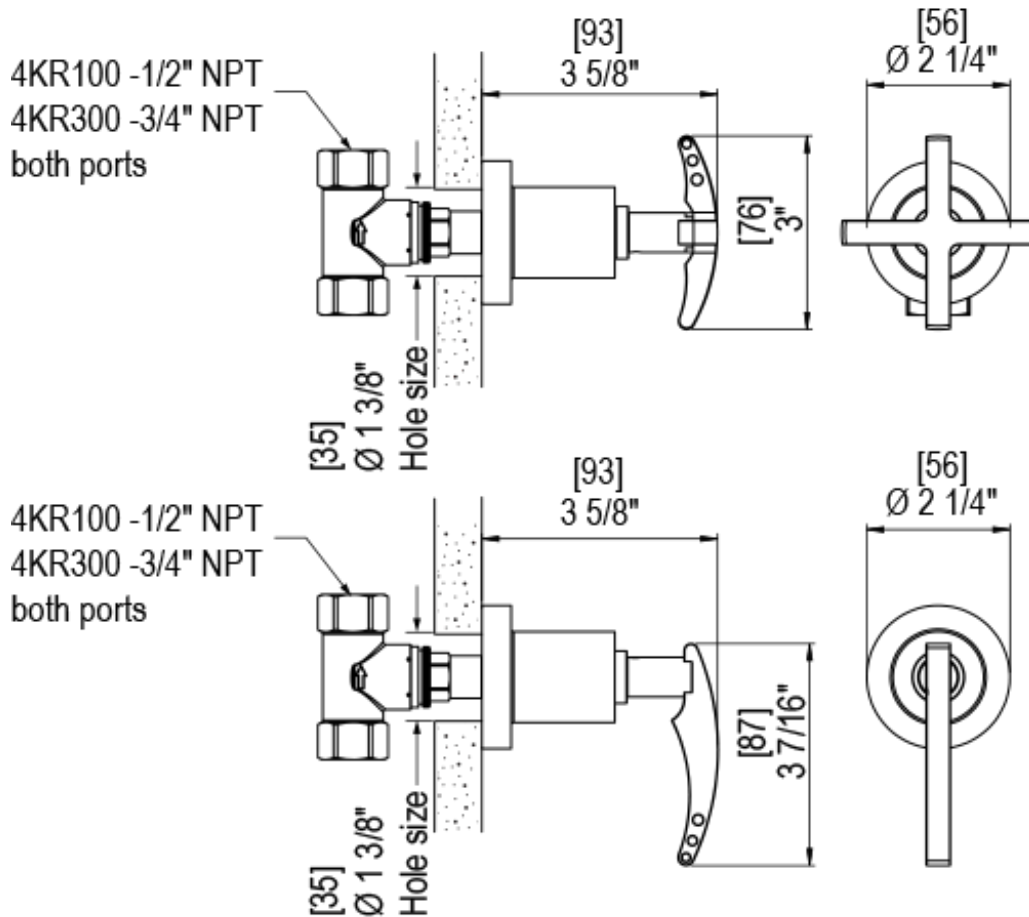


TEMPERATURE CONTROL VALVE WITH STOPS & TWO WAY DIVERTER WITH SHUT-OFF TRIM ONLY



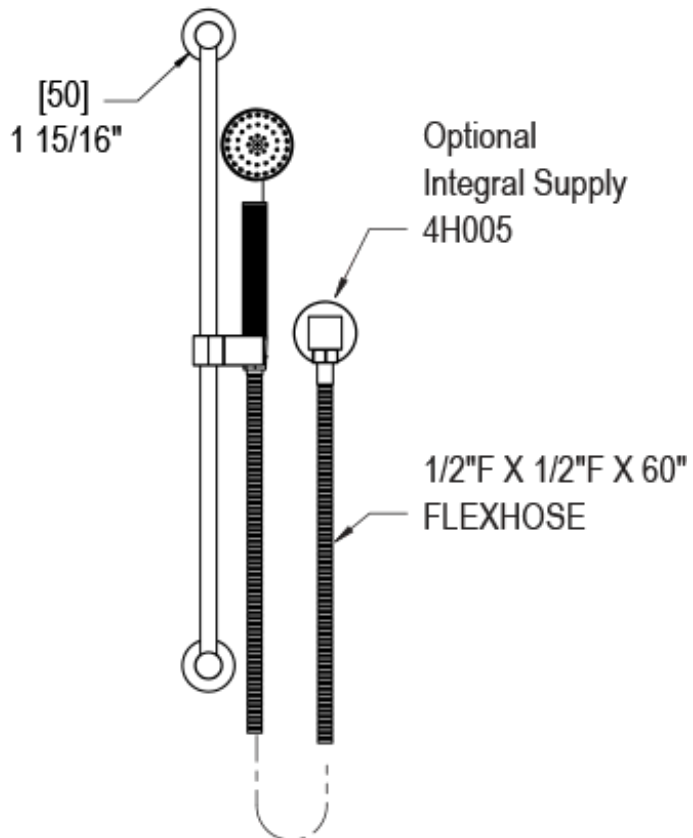
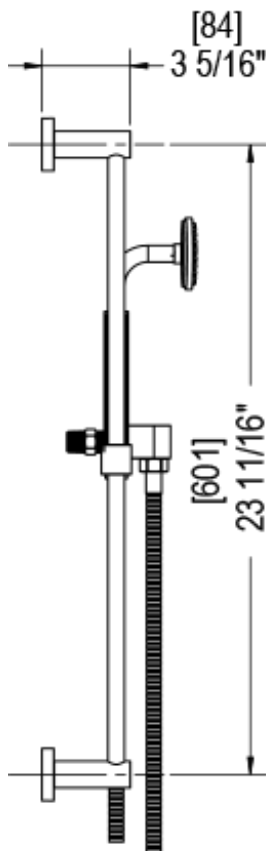


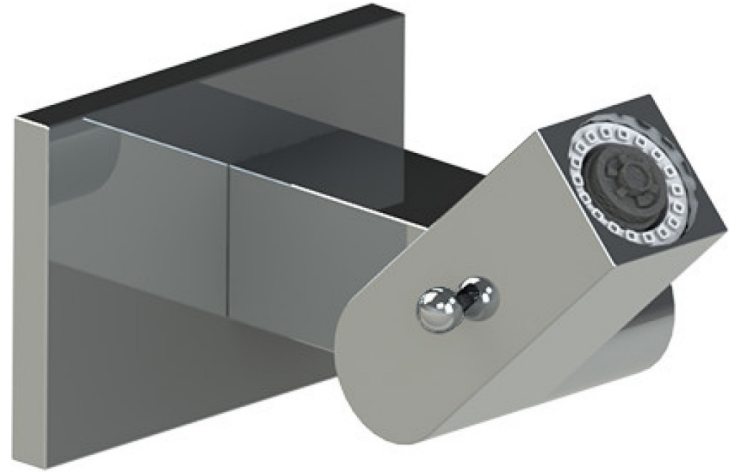
VOLUME CONTROL VALVE TRIM ONLY



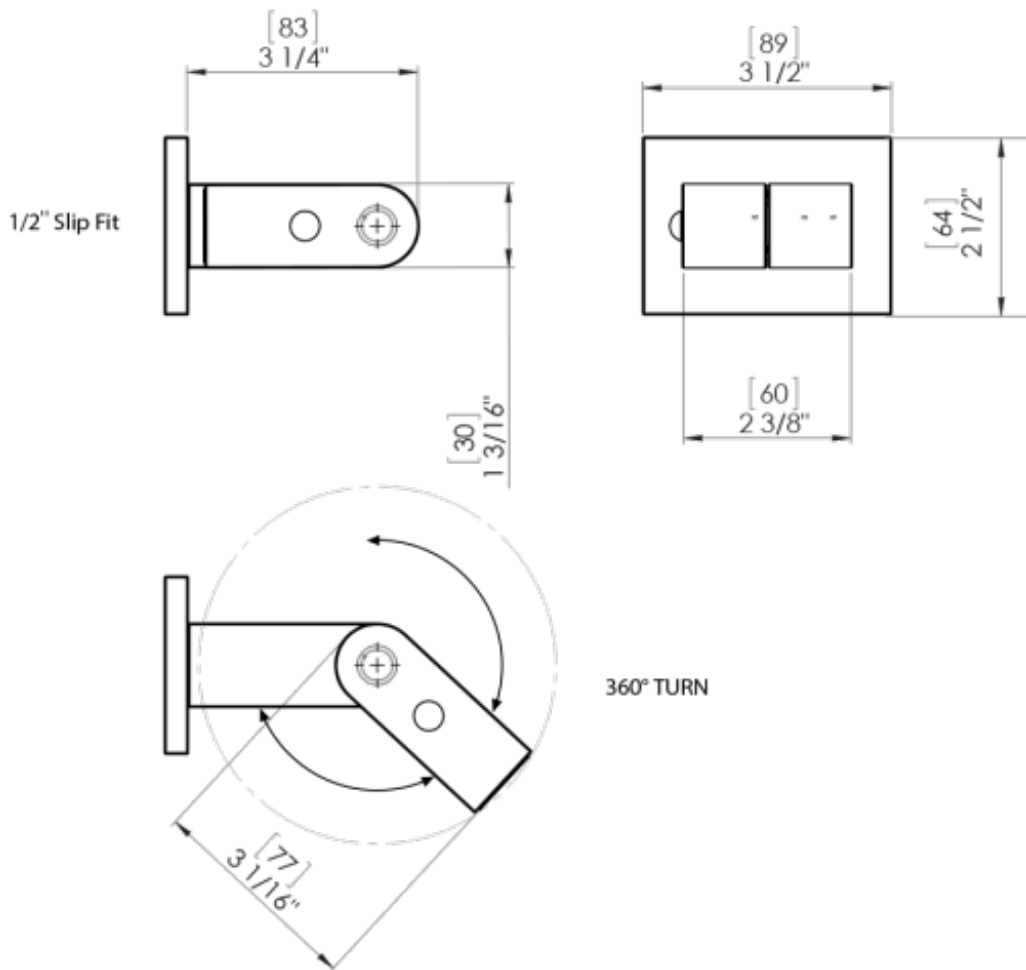


ADJUSTABLE SLIDE BAR WITH HAND HELD SHOWER ASSEMBLY



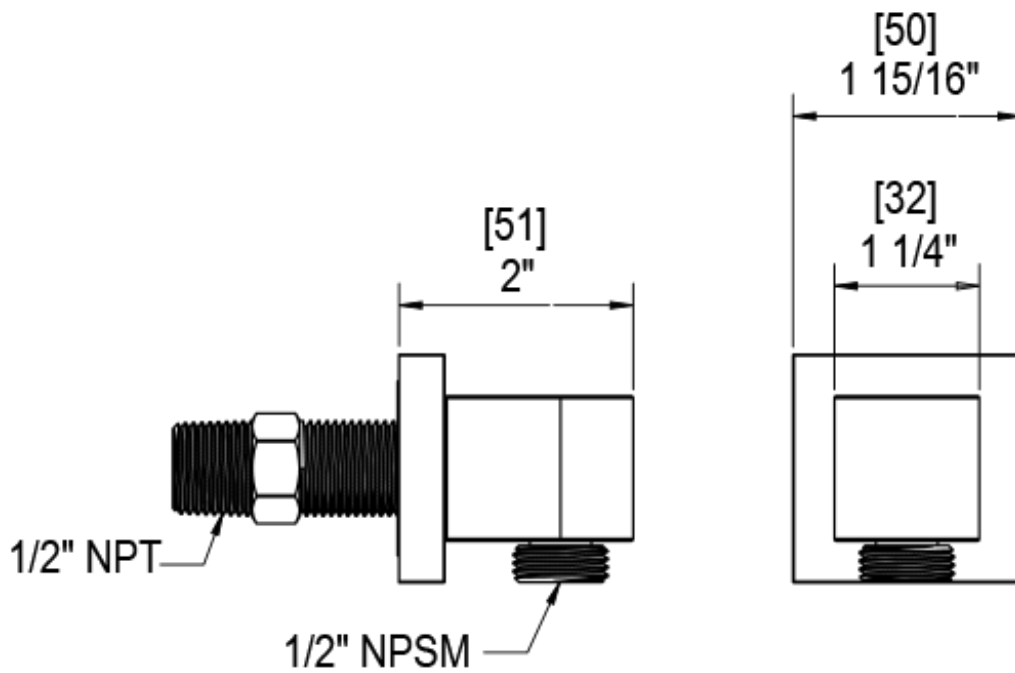


WALL MOUNT BIDET & FOOT RINSE WITH DUAL FUNCTION SPRAY





INTEGRAL SUPPLY WITH 1/2" NPT X 1/2" NPSM X 3" NIPPLE





5" SHOWER HEAD WITH WALL MOUNT 12" SHOWER ARM & FLANGE

