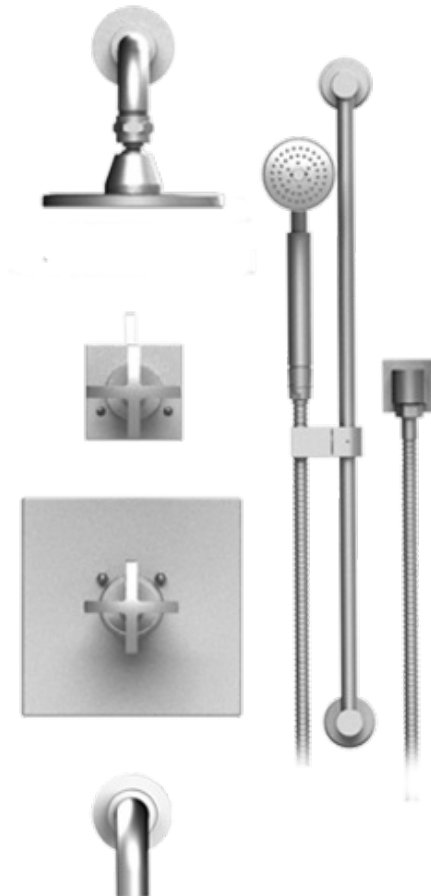
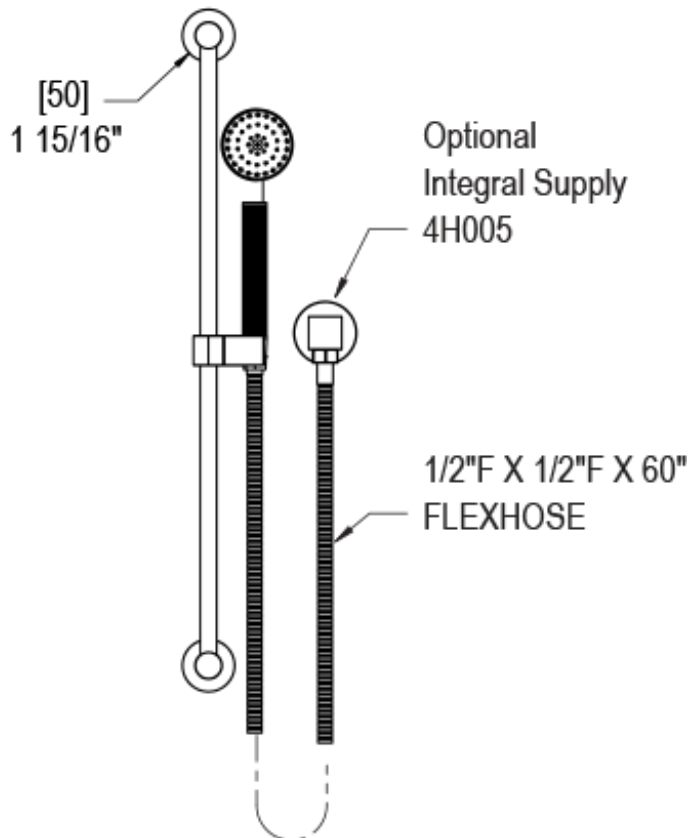
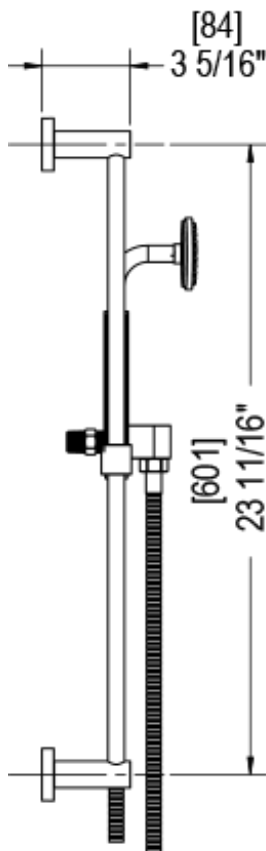


23LALCHCH Specifications



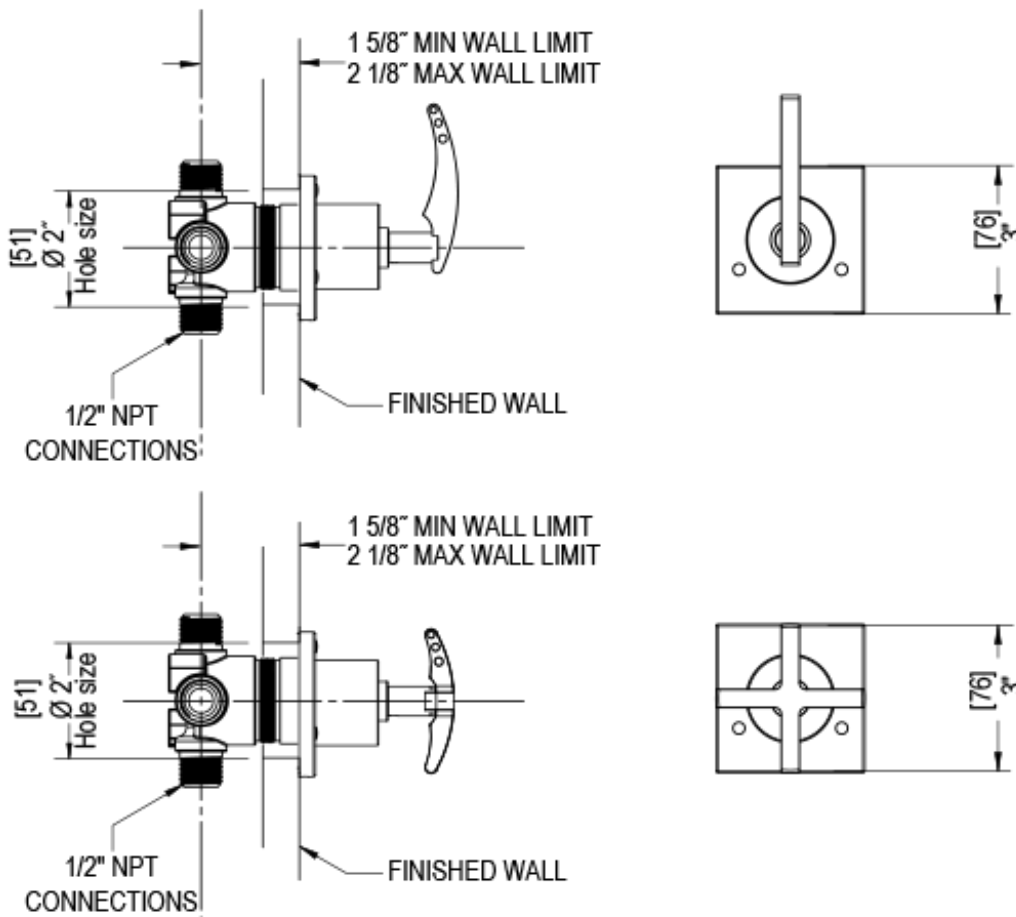


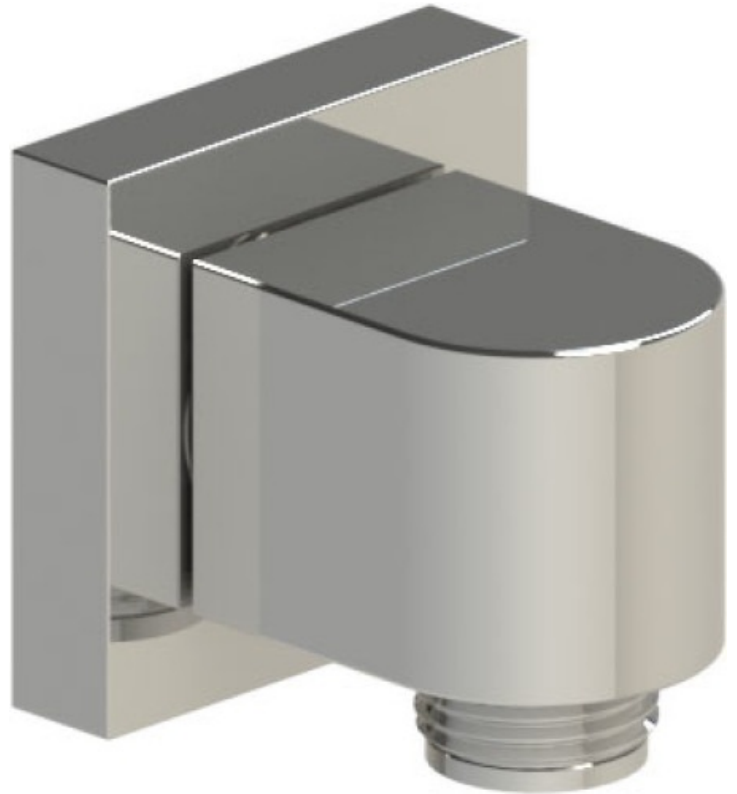
ADJUSTABLE SLIDE BAR WITH HAND HELD SHOWER ASSEMBLY



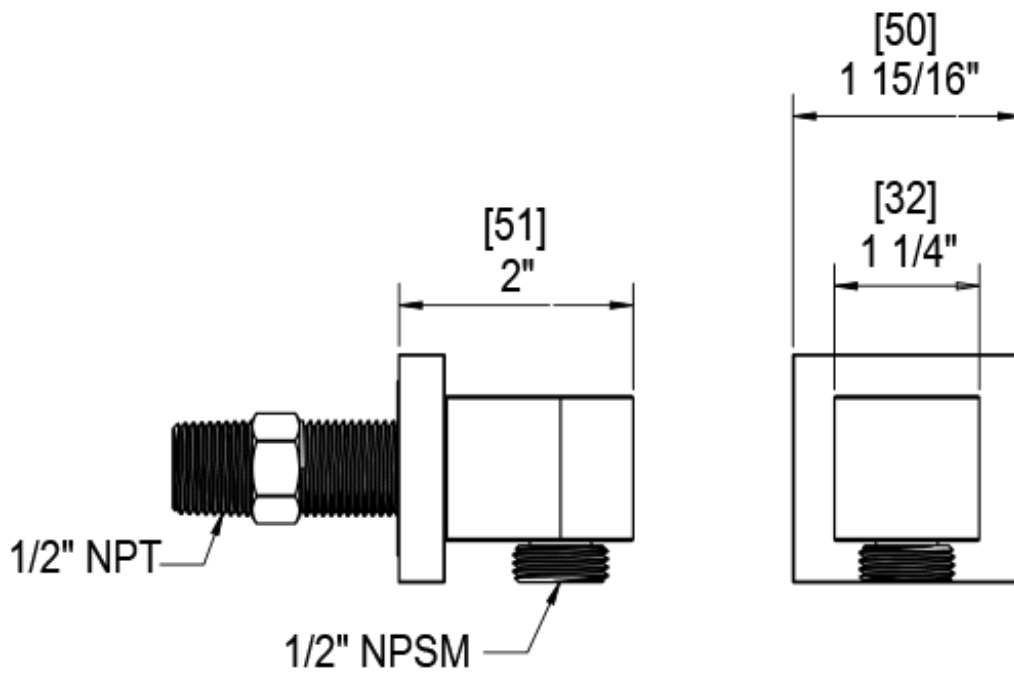


THREE WAY DIVERTER WITH SHUT-OFFS IN BETWEEN FUNCTIONS TRIM ONLY



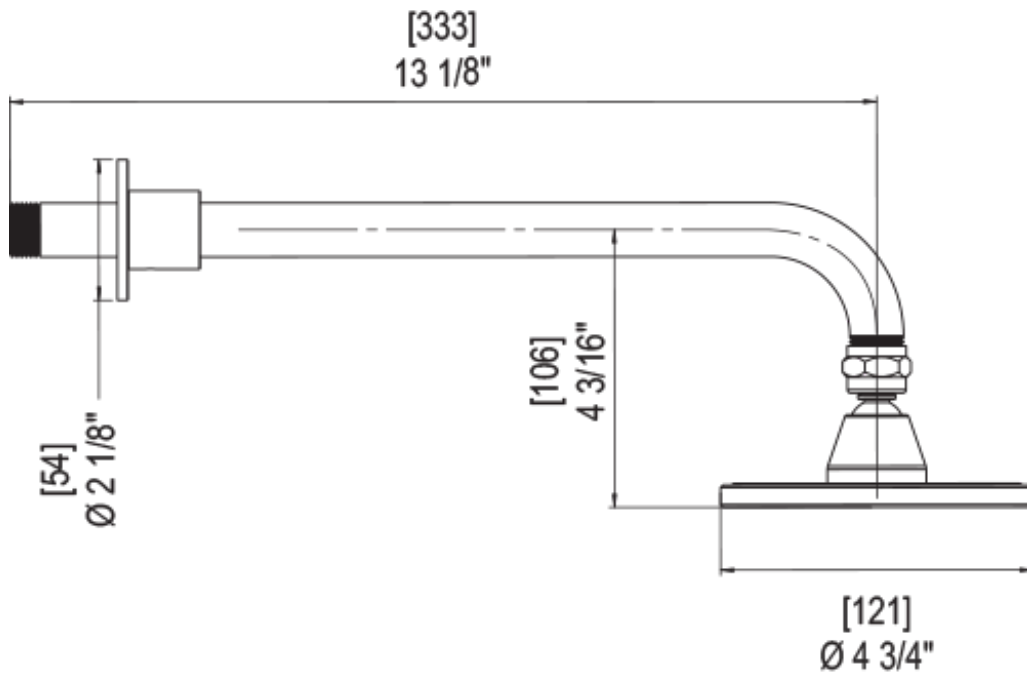


INTEGRAL SUPPLY WITH 1/2" NPT X 1/2" NPSM X 3" NIPPLE



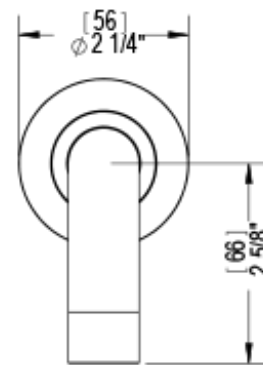
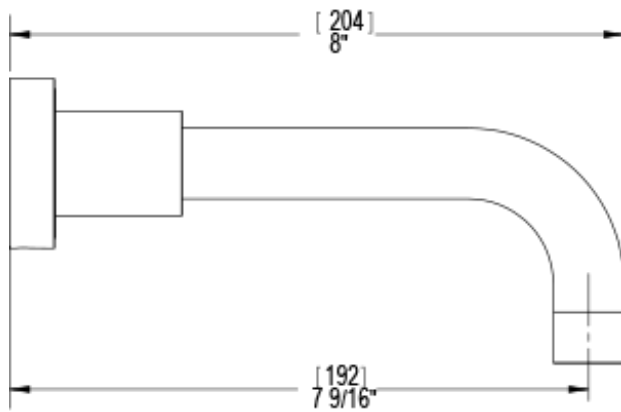


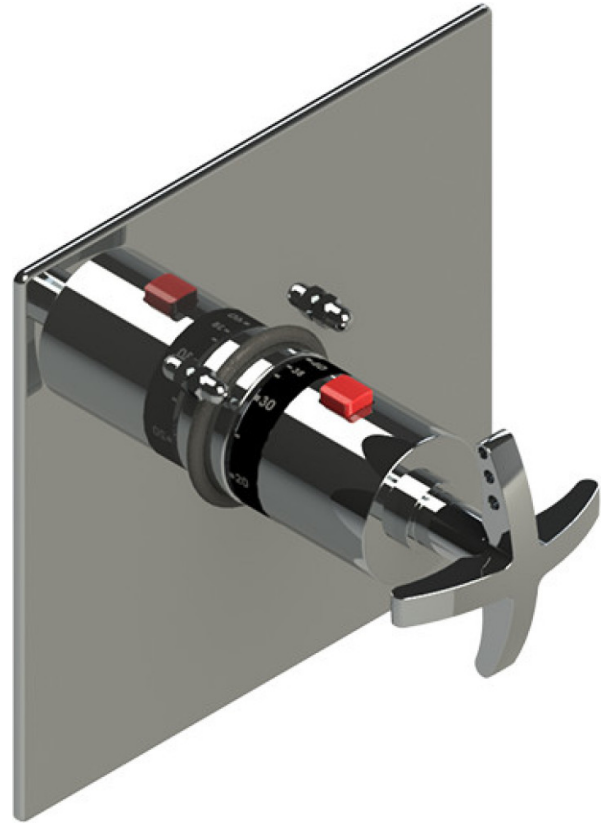
5" SHOWER HEAD WITH WALL MOUNT 12" SHOWER ARM & FLANGE





WALL MOUNT TUB SPOUT. 1/2" SLIP FIT





TEMPERATURE CONTROL VALVE WITH STOPS TRIM ONLY

