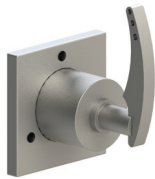
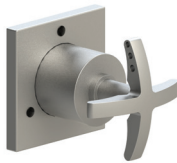


ASSEMBLY INSTRUCTION**3XLAL or C**

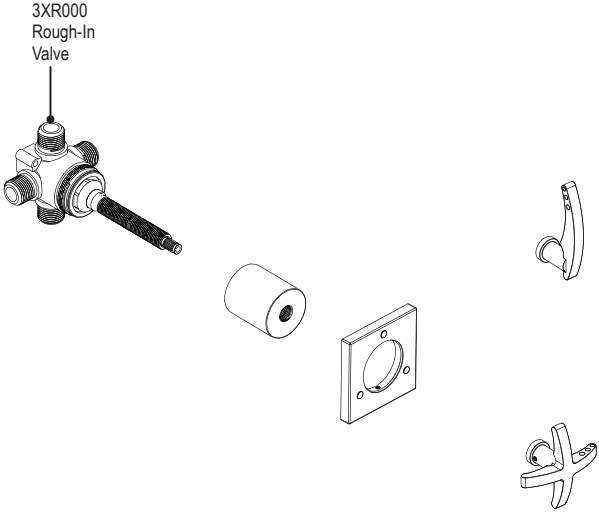
THREE WAY DIVERTER WITH SHUT-OFF IN BETWEEN FUNCTIONS

**3XLAL****3XLAC****REMOVAL OF FIXTURE:**

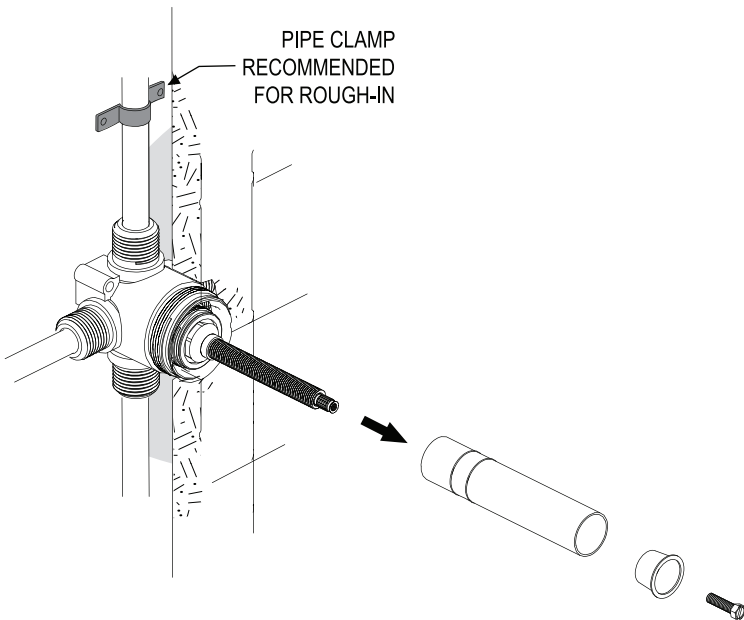
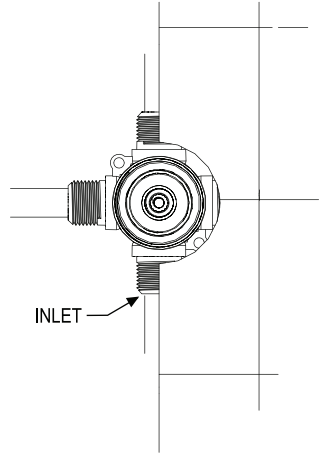
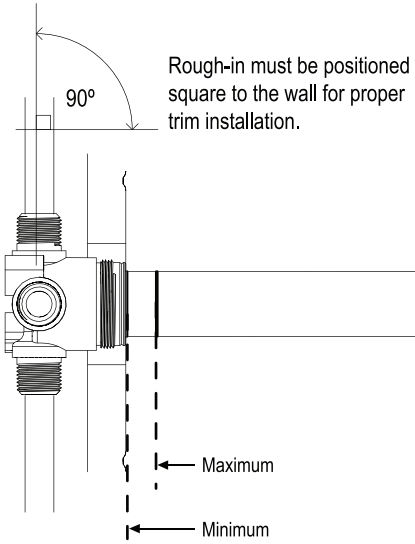
Always turn the water supply off before removing the existing fixture or disassembling a valve. Open both faucet handles to relieve water pressure and to ensure that the water has been successfully turned off.

CARE OF FIXTURE:

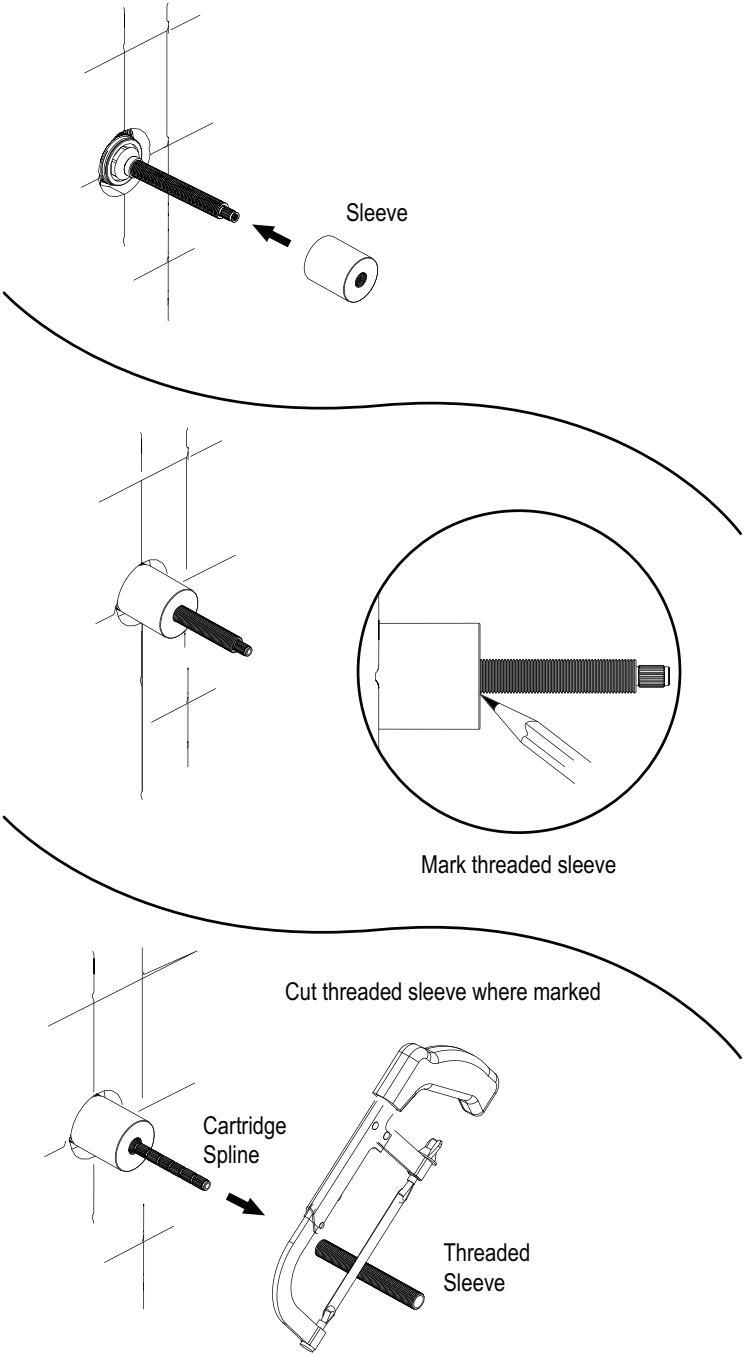
The use of warm water and a soft cloth is all that is required to clean Rubinet products. The patina of our living finishes (Oil Rubbed Bronze & Tuscan Brass) will change as a result of normal use. Applying Mineral Oil on occasion will create a softer look, subtle color changes and character.



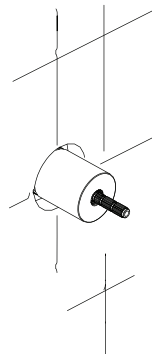
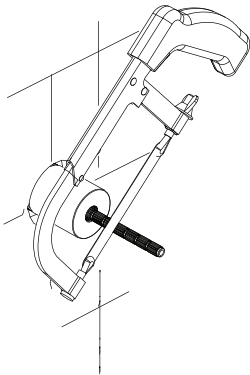
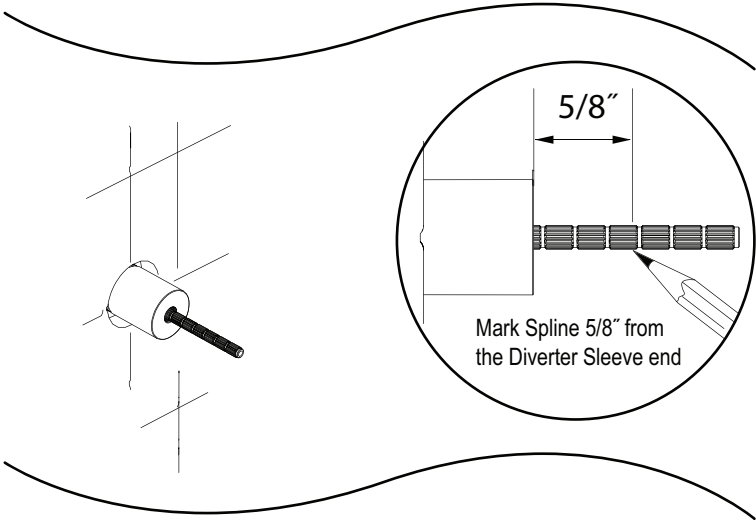
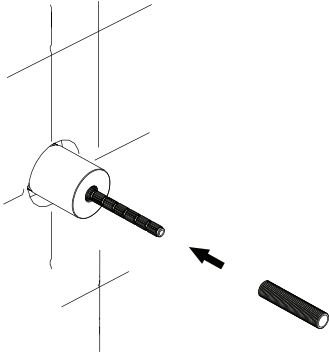
1



2

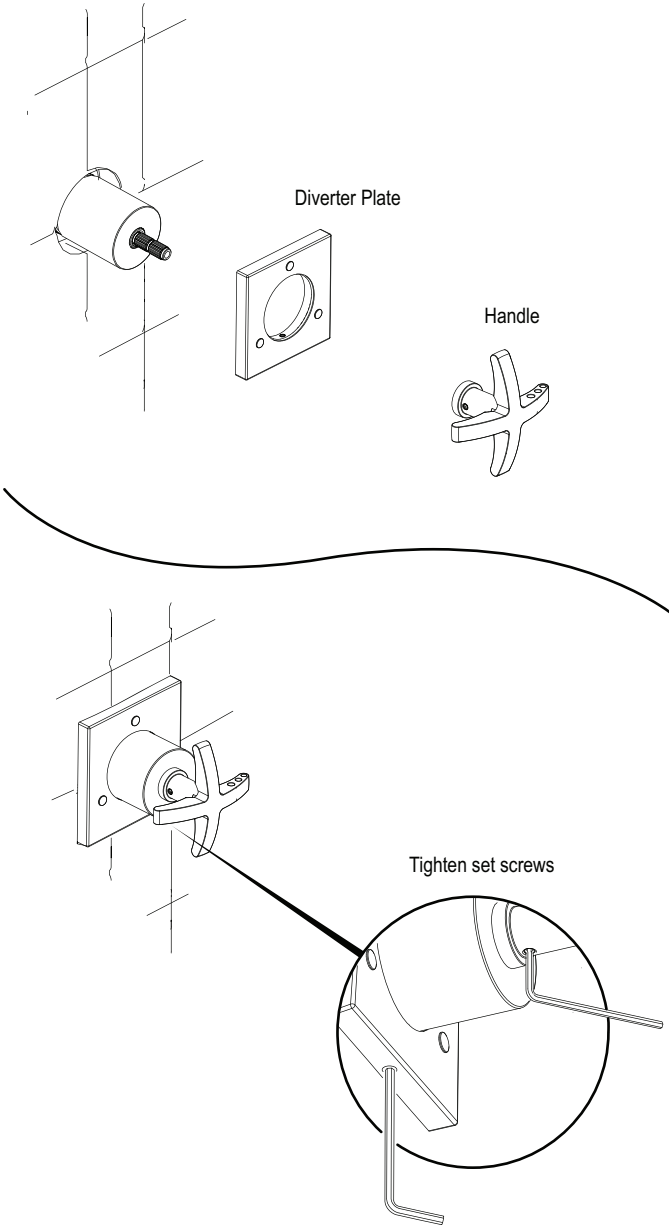


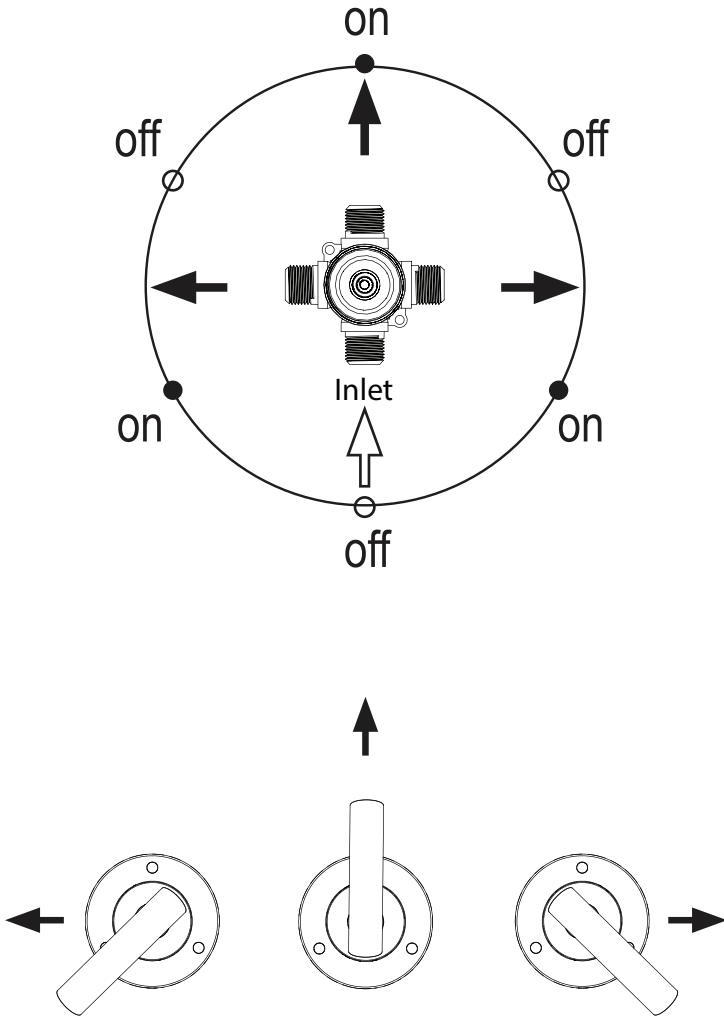
3



Cut spline where marked

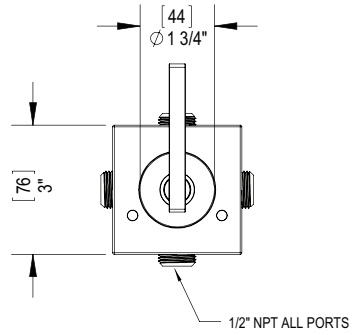
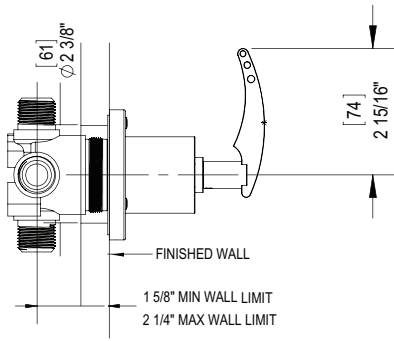
4





FEATURES:

- Brass construction with choice of 21 finishes
- Single handle control
- 4-Port 3 Way diverter valve
- Shut-Off in between functions



CONTACT US:

If you need assistance with installation, replacement parts or have any questions regarding your Rubinet product, please call a Customer Service representative at: **905-851-6781 toll free 1-800-461-5901** or visit www.rubinet.com