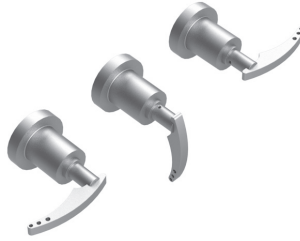
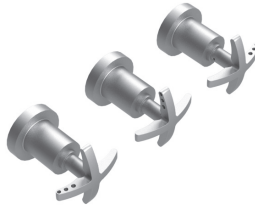


ASSEMBLY INSTRUCTION**2ALAL or C**

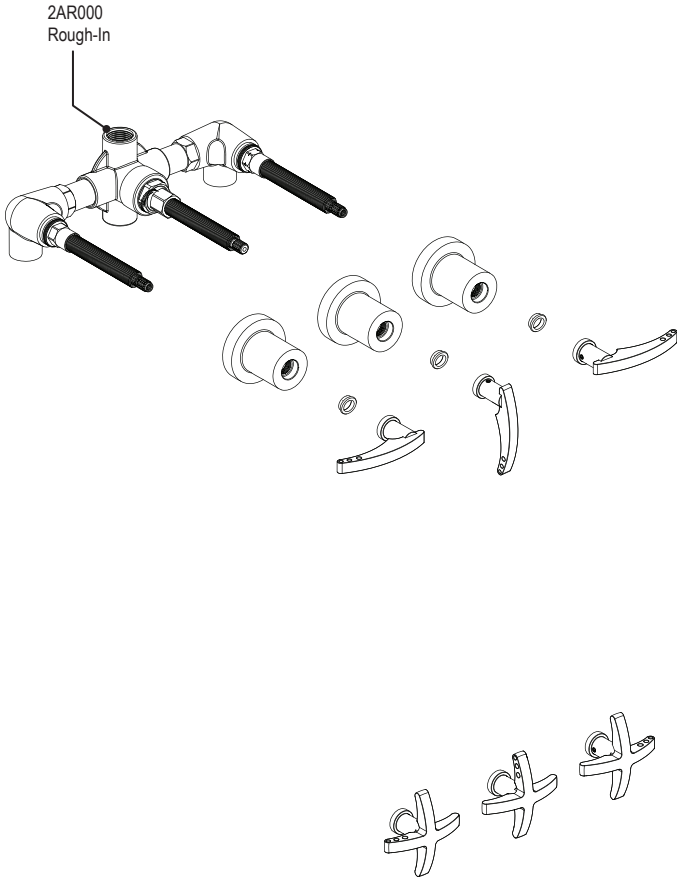
THREE VALVE TUB & SHOWER

**2ALAL****2ALAC****REMOVAL OF FIXTURE:**

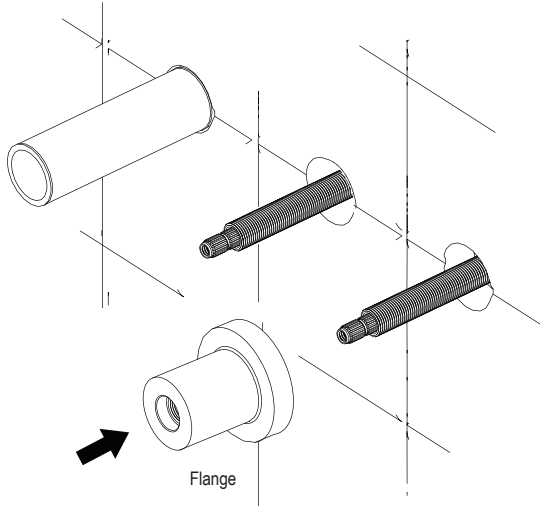
Always turn the water supply off before removing the existing fixture or disassembling a valve. Open all fixture handles to relieve water pressure and to ensure that the water has been successfully turned off.

CARE OF FIXTURE:

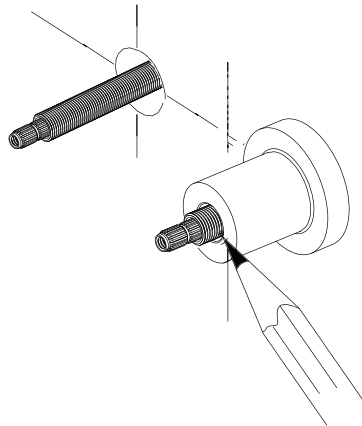
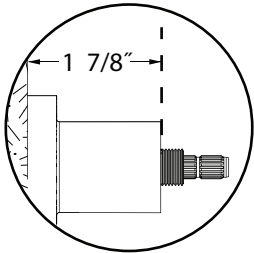
The use of warm water and a soft cloth is all that is required to clean Rubinet products. The patina of our living finishes (Oil Rubbed Bronze & Tuscan Brass) will change as a result of normal use. Applying Mineral Oil on occasion will create a softer look, subtle color changes and character.



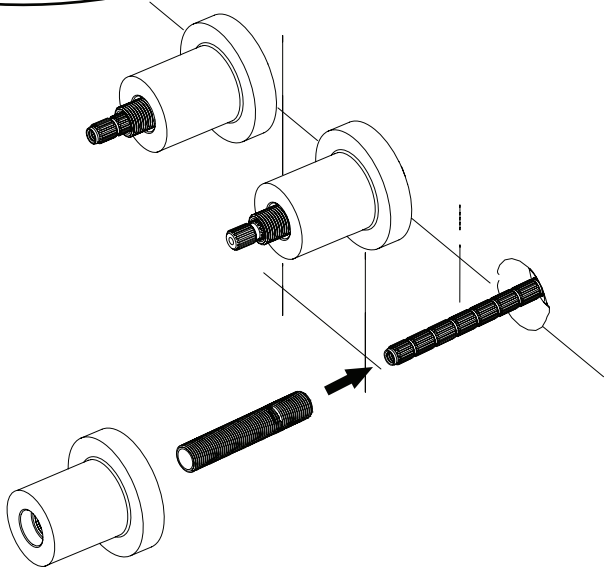
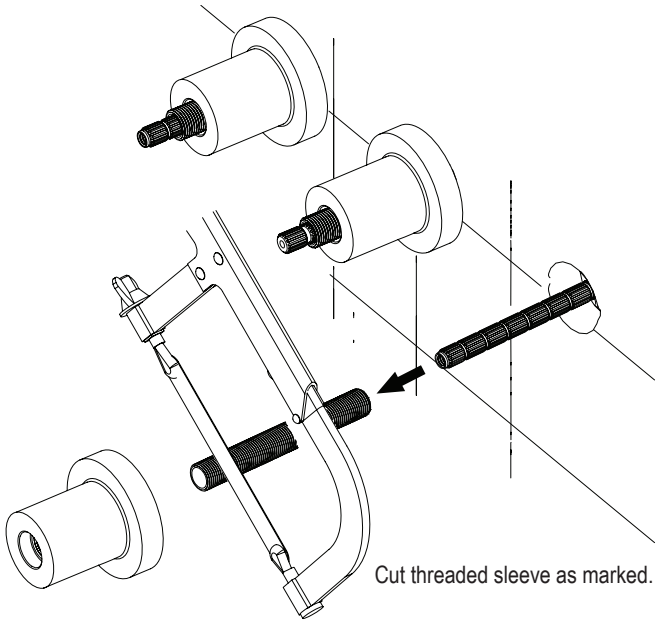
1



**MUST CUT FLUSH
TO THE FLANGE TRIM**
* 1 7/8" (47.5mm)
from the finished wall

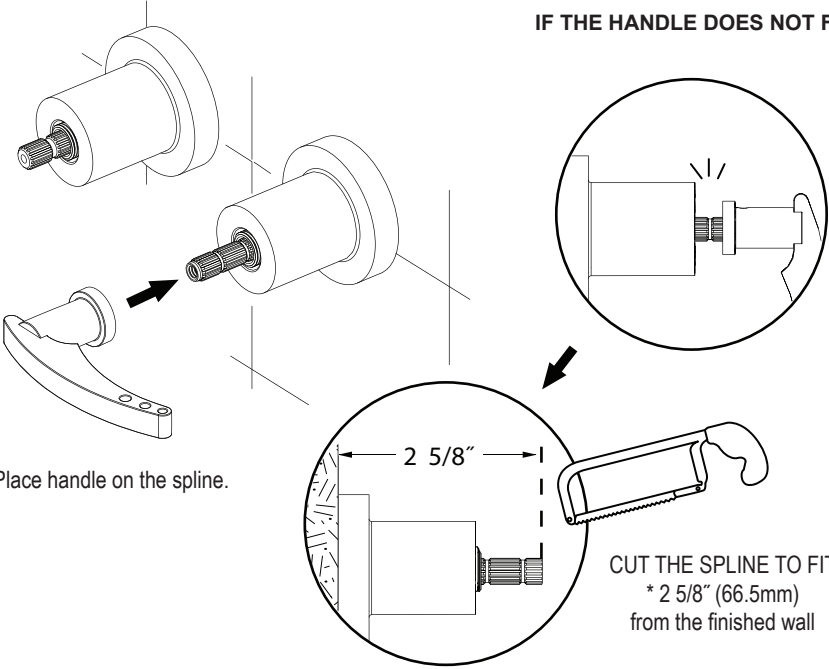


2

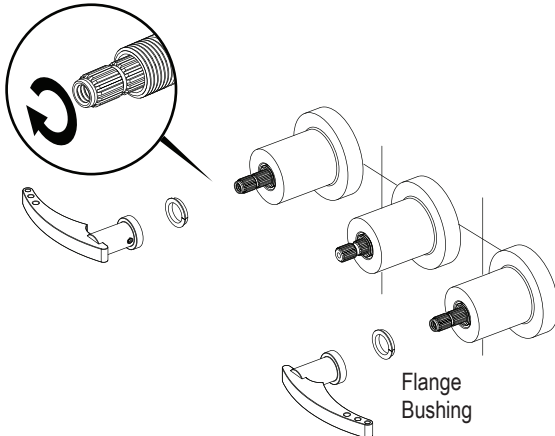


3

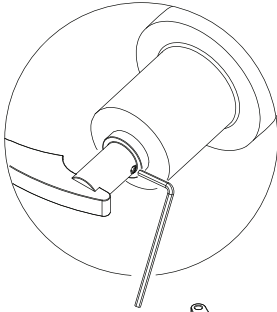
IF THE HANDLE DOES NOT FIT



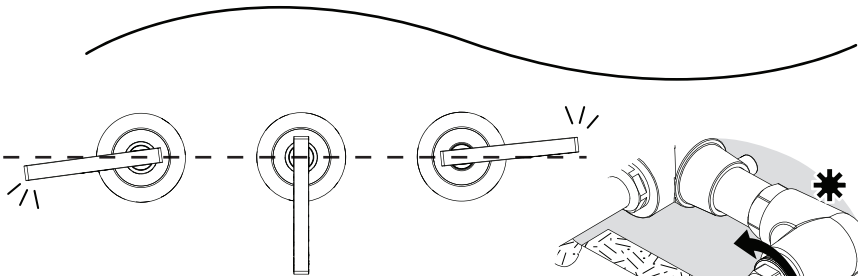
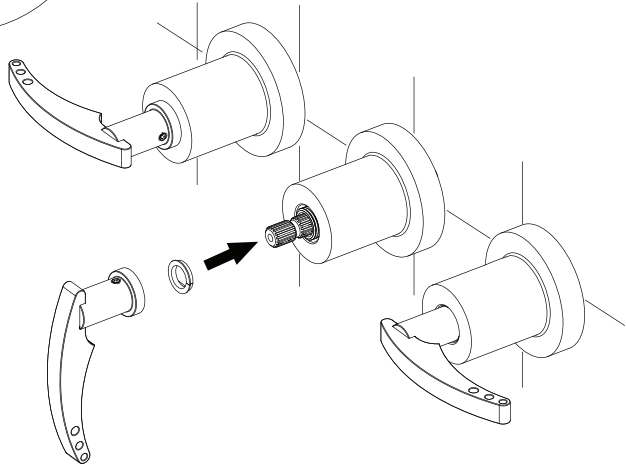
Turn each cartridge splines into **OFF** position before installing handles



4



Tighten set screws to secure

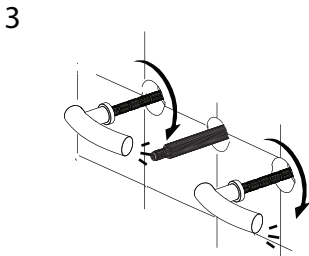
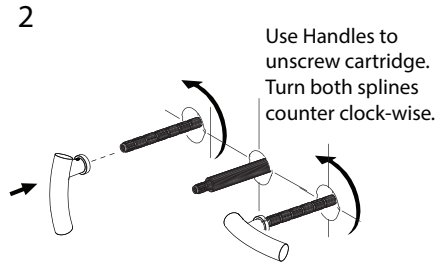
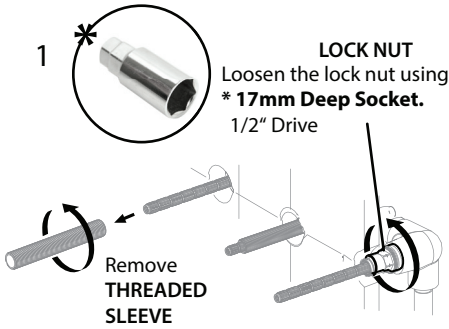


IF THE HANDLES DO NOT ALIGN CORRECTLY
You can adjust them. Please refer to the
'Handle Alignment' instruction at the back.

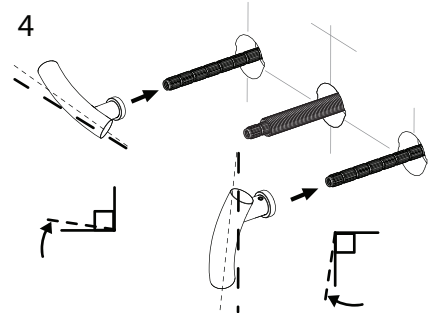
Lock Nut

5

HANDLE ALIGNMENT (2A)

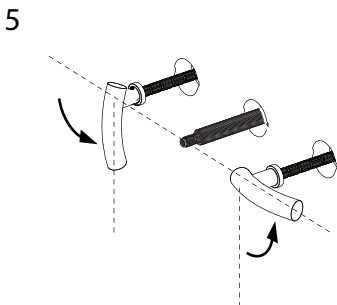


Once cartridge valves are loose, screw them back into the faucet using the handle. Stop when you feel a noticeable resistance. Then remove handles.

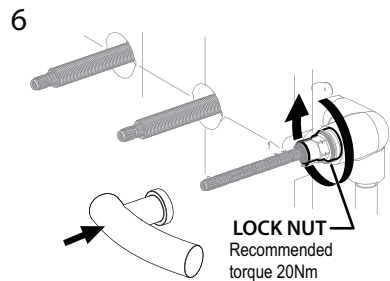


Replace Left Handle (hot) **one tooth off** from the **OFF** position as shown.

And Right Handle (cold) **one tooth off** from the **ON** position as shown.



Turn the handles to the desired alignment. (This will unscrew the cartridge) This adjustment should not be more than 25°.



Tighten Lock Nut using 17mm Deep Socket wrench to secure cartridge valve position.

*Use handle to hold spline while tightening.

FEATURES:

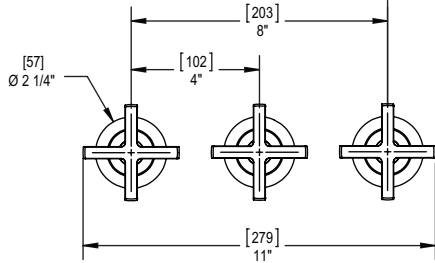
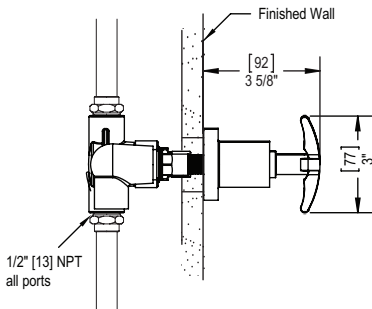
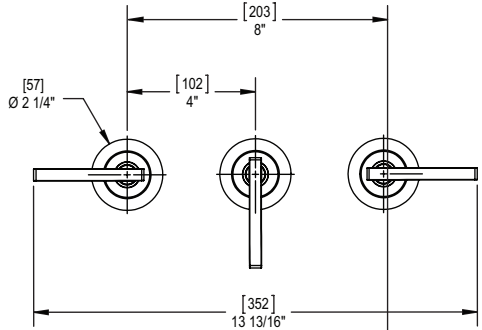
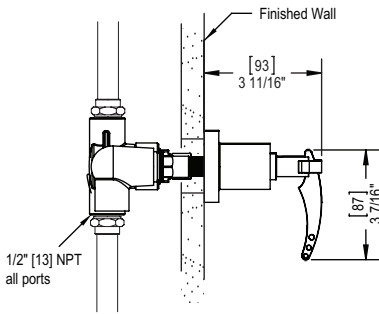
- Brass construction with choice of 21 finishes
- Two Lever or Cross handles, diverter (Lever or Cross)
- Quarter turn Ceramic Disk cartridges
- Flow Rate

Shower : 7.0 gpm @ 50 psi

 Tub : 7.0 gpm @ 50 psi

APPROVAL:

- AB1953 / NSF61
- ASME A 112.18.1
- CSA B125.1



CONTACT US:

If you need assistance with installation, replacement parts or have any questions regarding your Rubinet product, please call a Customer Service representative at: 905-851-6781 toll free 1-800-461-5901 or visit www.rubinet.com