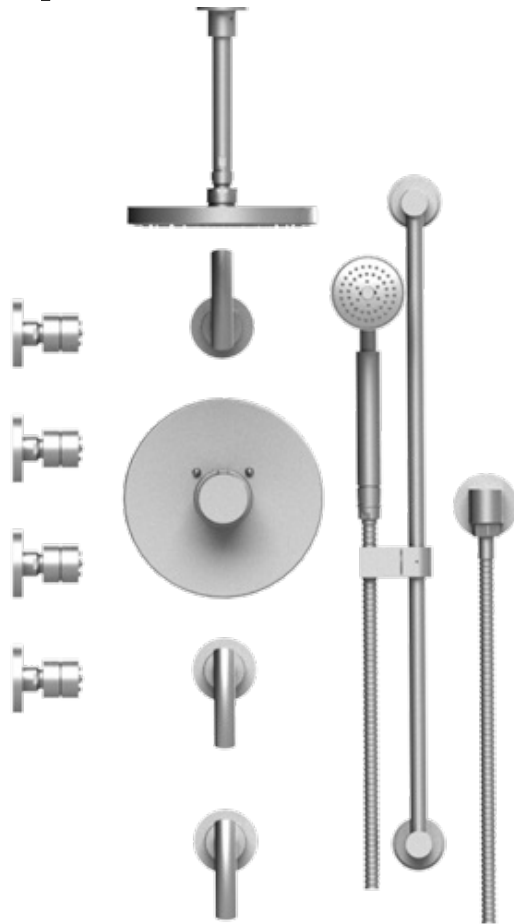
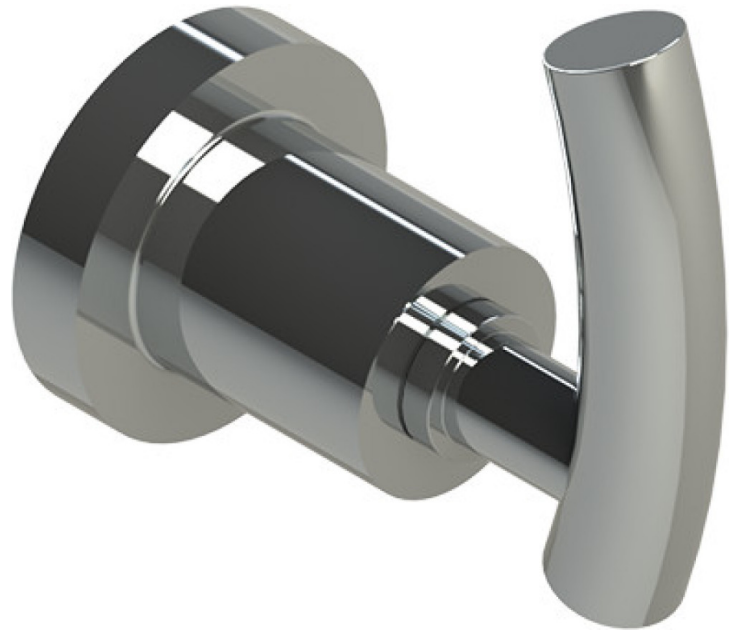


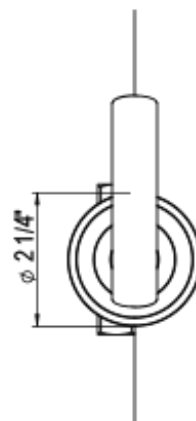
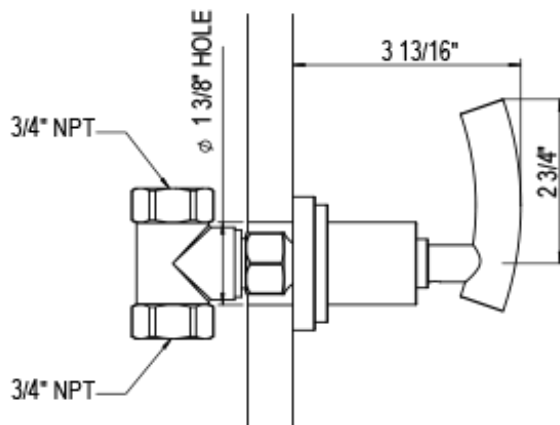
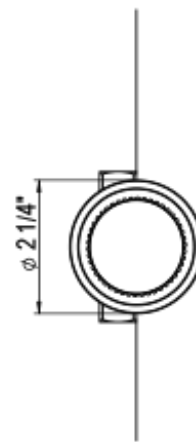
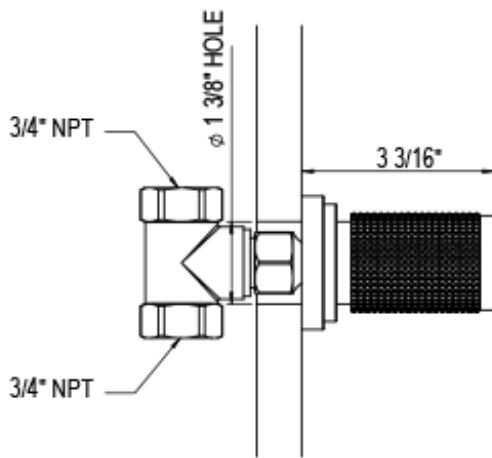
# 47HOLCHCH

## Specifications



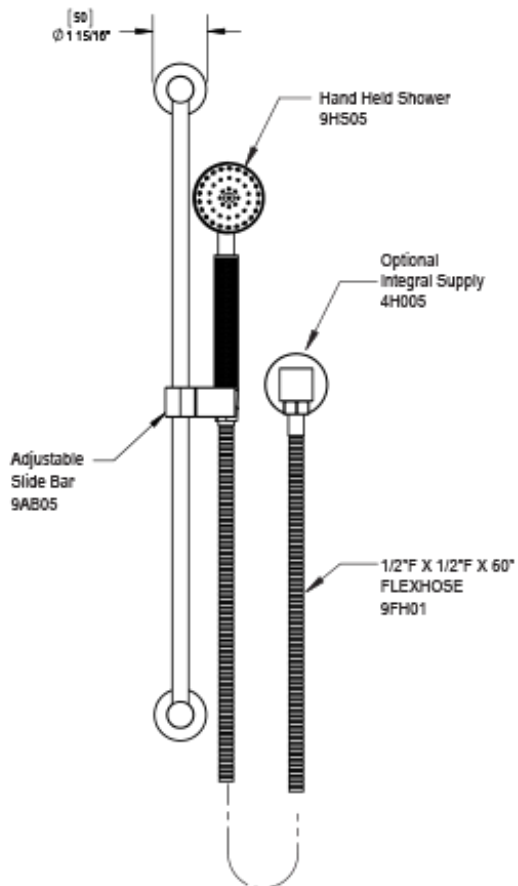
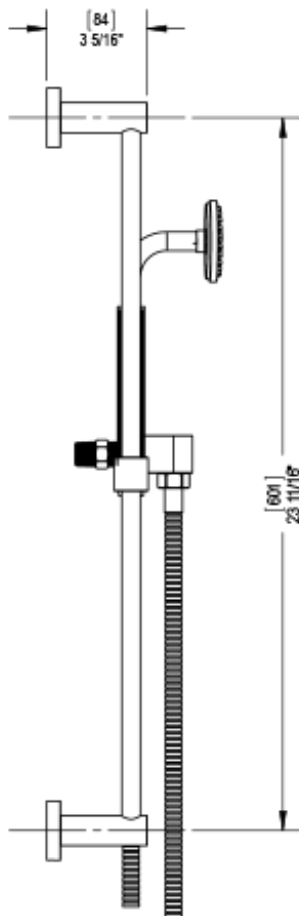


VOLUME CONTROL VALVE, TRIM ONLY



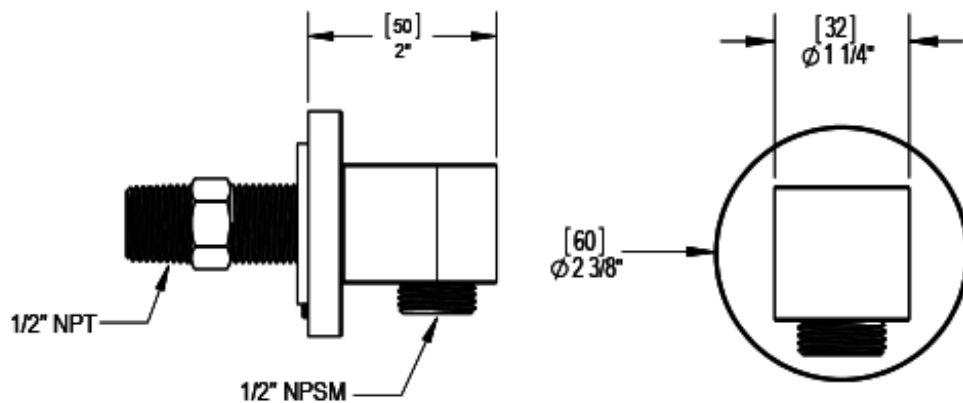


ADJUSTABLE SLIDE BAR WITH HAND HELD SHOWER ASSEMBLY



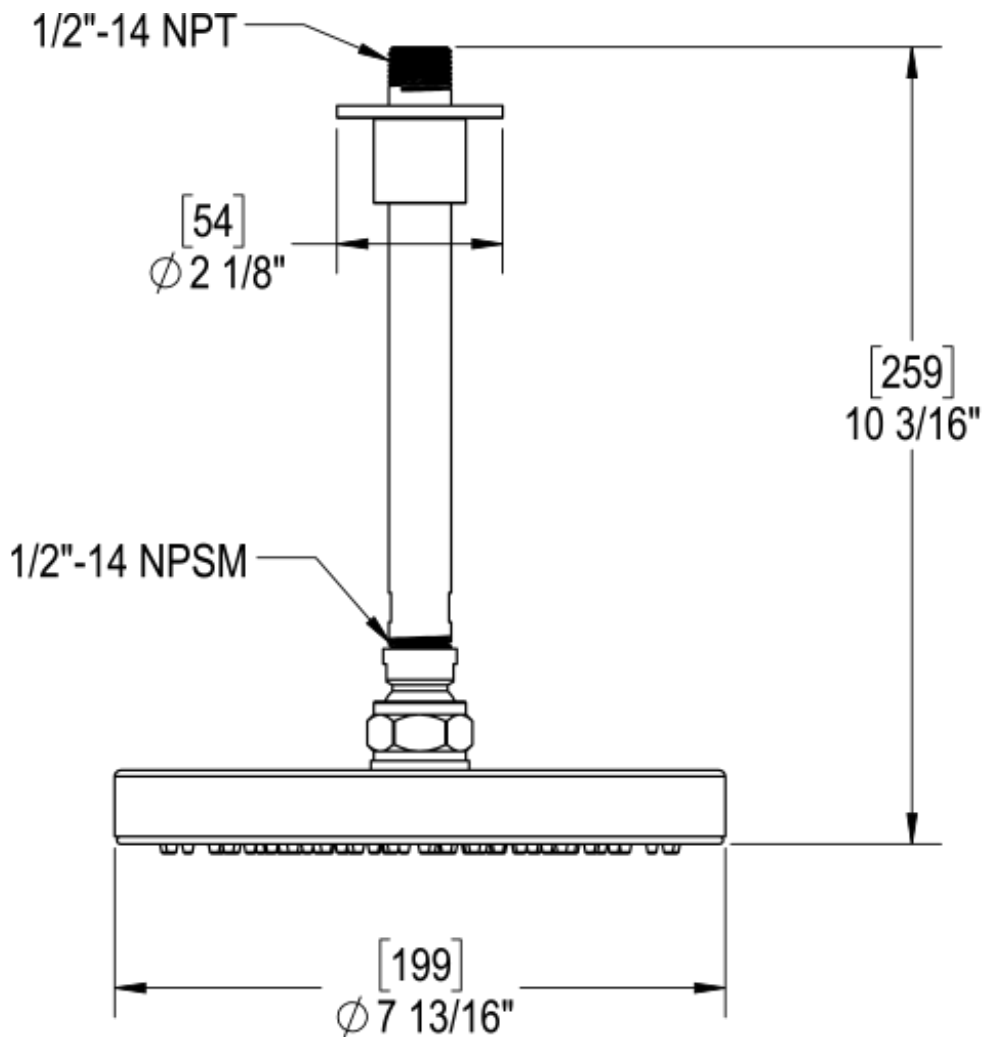


INTEGRAL SUPPLY WITH 1/2" NPT X 1/2" NPSM X 3" NIPPLE



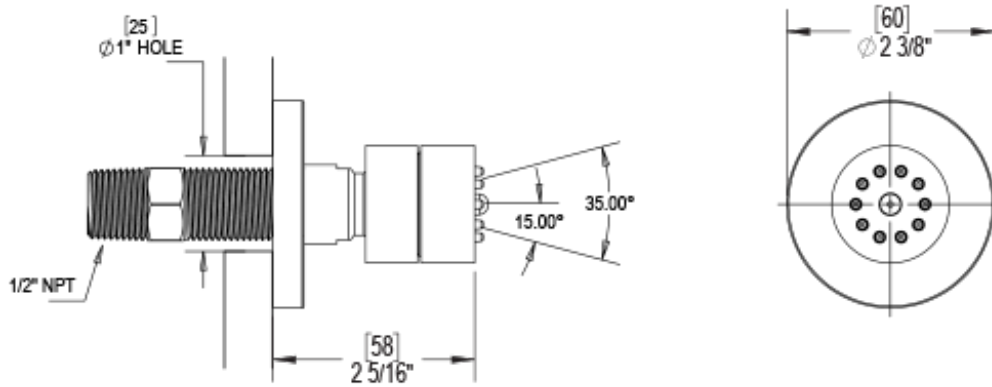


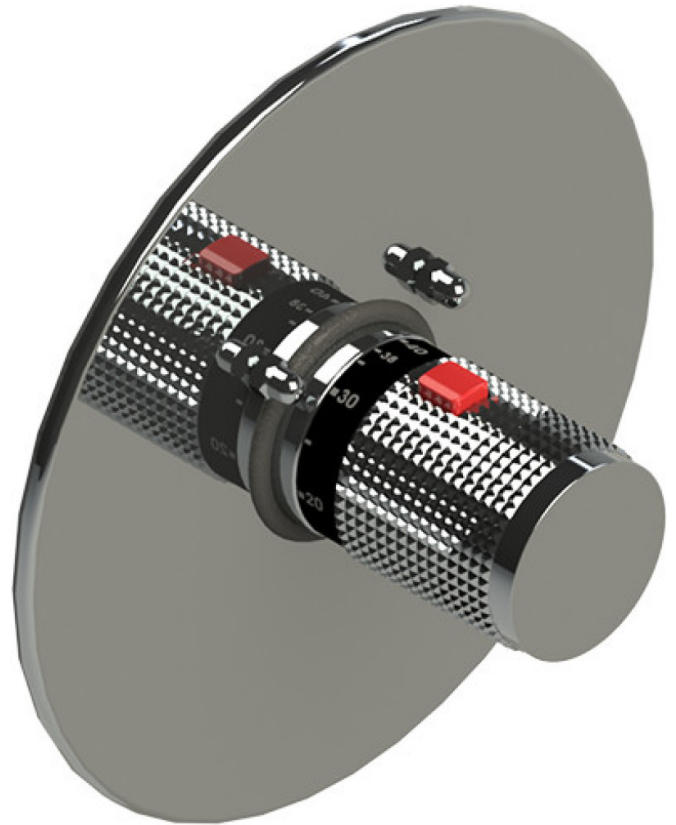
8" SHOWER HEAD WITH CEILING MOUNT 8" SHOWER ARM FLANGE





BODY SPRAY WITH 1/2" NPT X 1/2" NPSM X 3" NIPPLE X QTY 4 INCLUDED





TEMPERATURE CONTROL VALVE WITH STOPS, TRIM ONLY

