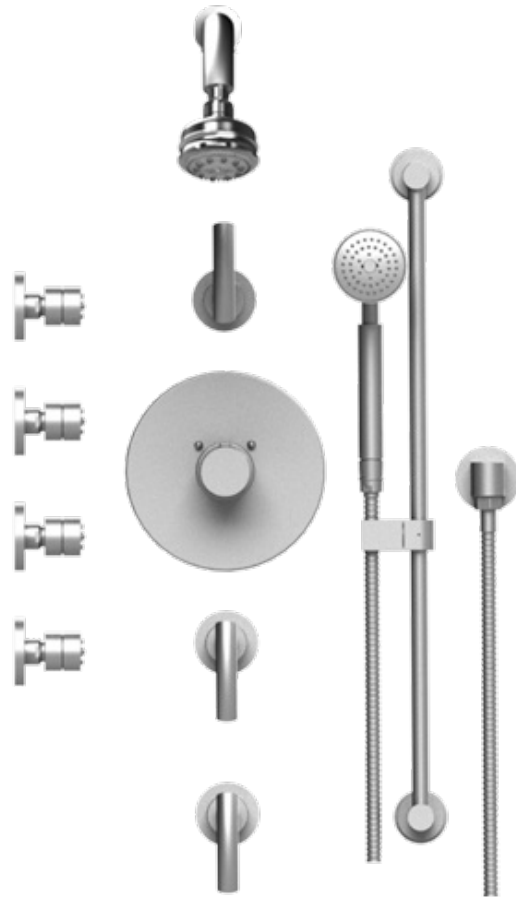
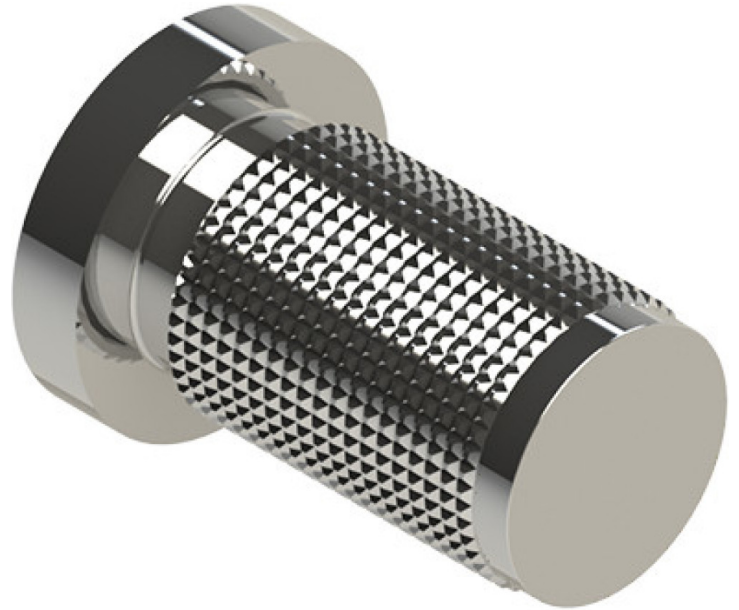
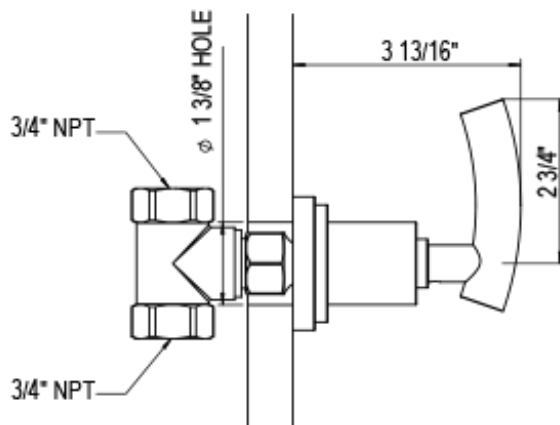
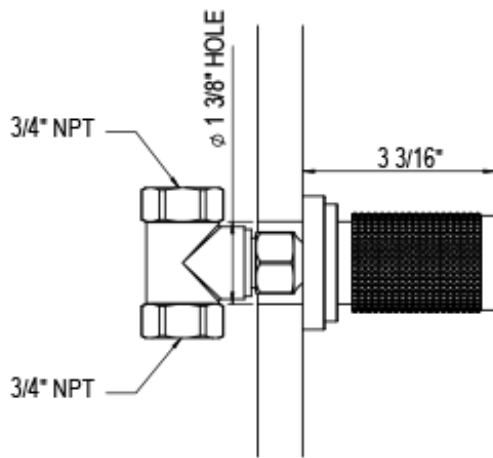


45HORCHCH Specifications



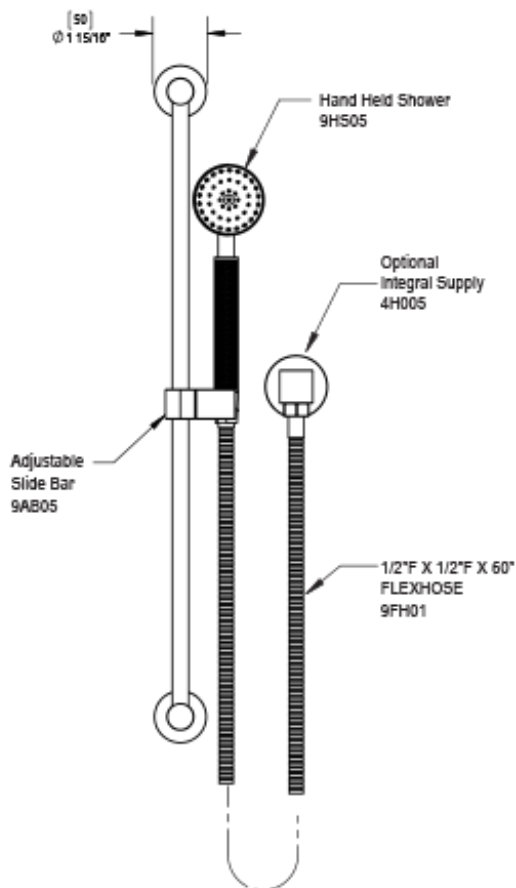
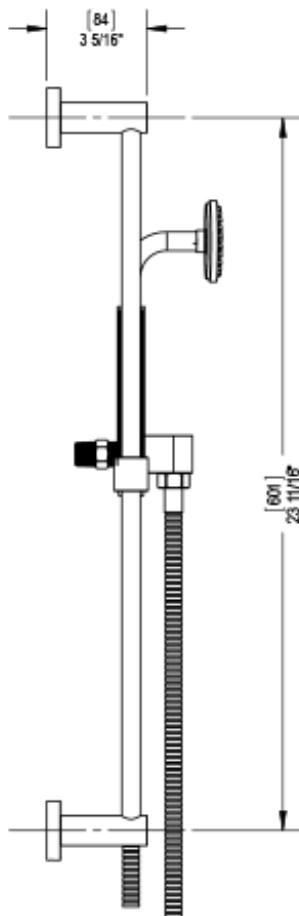


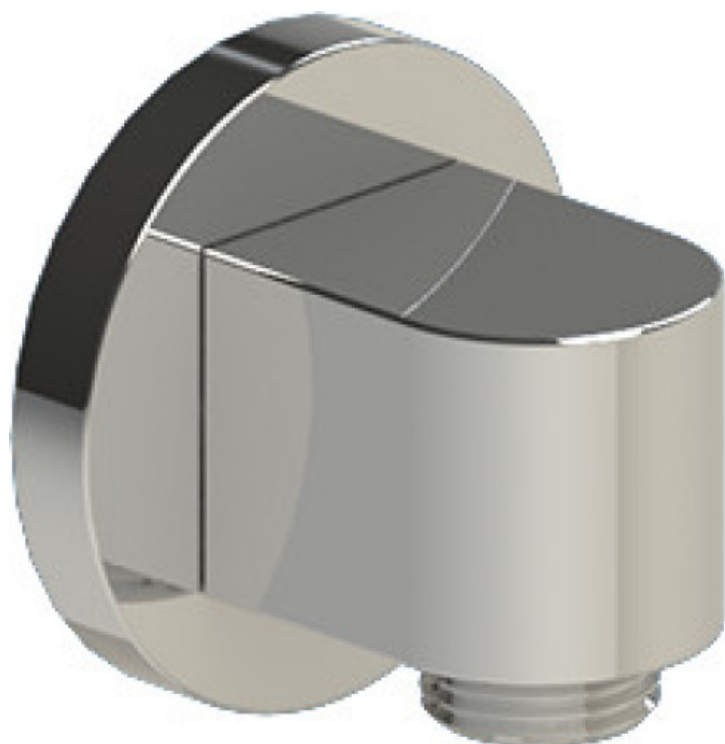
VOLUME CONTROL VALVE, TRIM ONLY



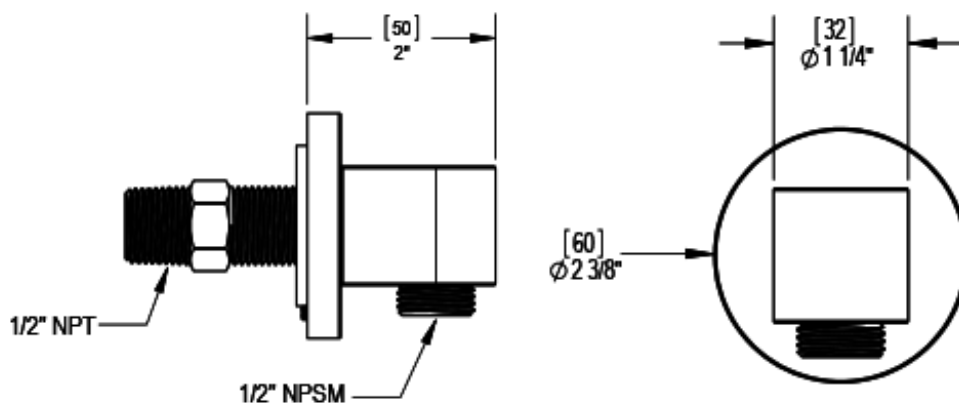


ADJUSTABLE SLIDE BAR WITH HAND HELD SHOWER ASSEMBLY



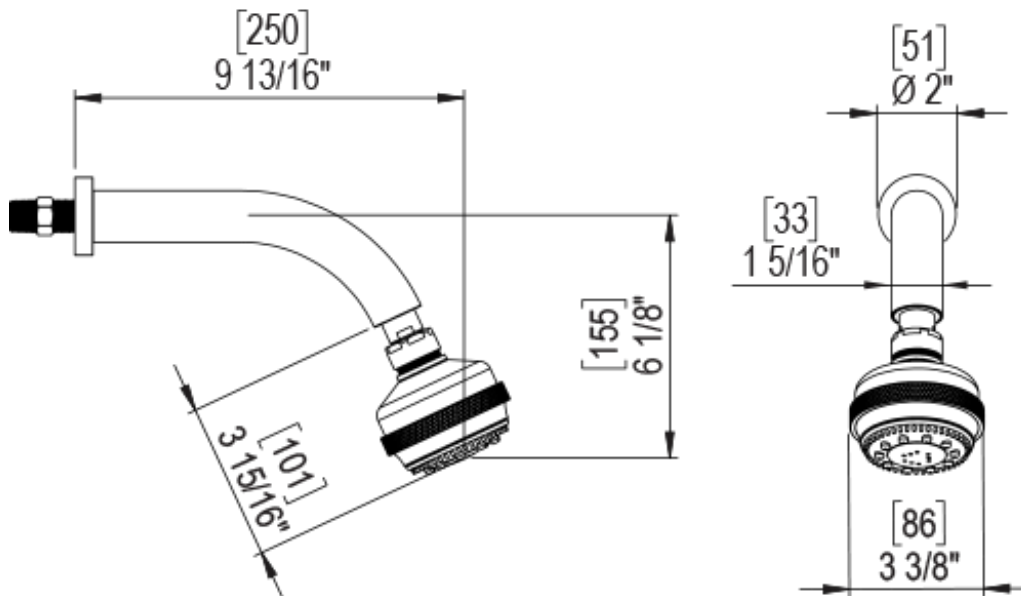


INTEGRAL SUPPLY WITH 1/2" NPT X 1/2" NPSM X 3" NIPPLE



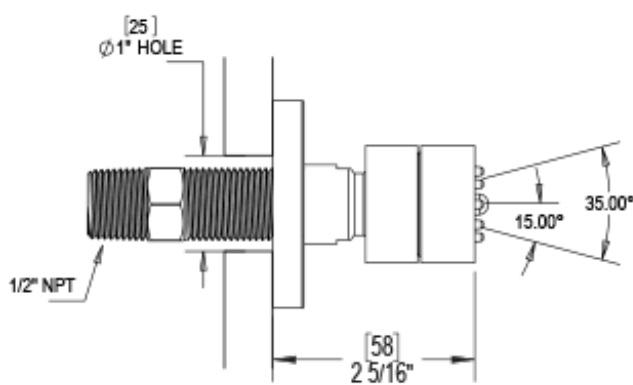


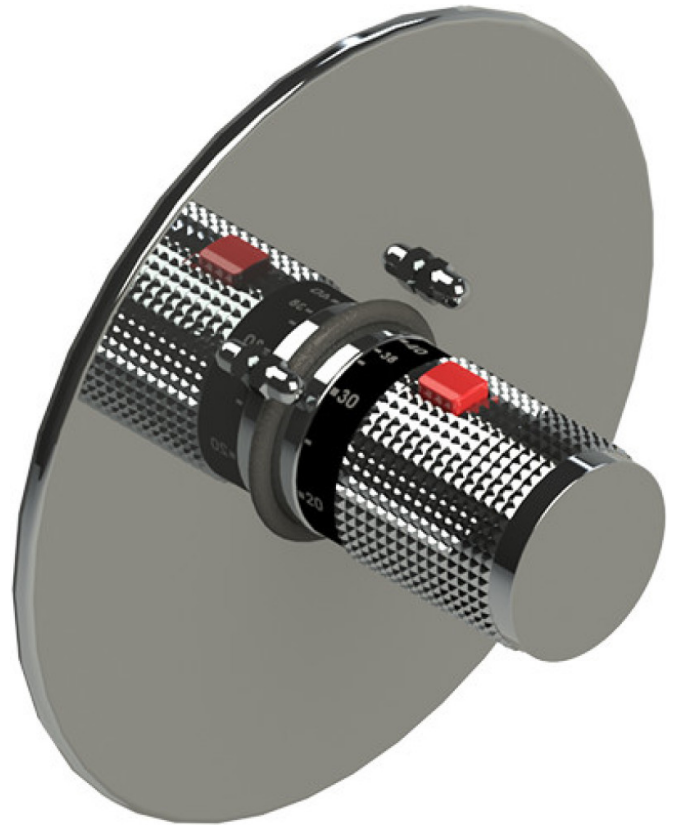
3 FUNCTION SHOWER HEAD WITH 8" SHOWER ARM & FLANGE





BODY SPRAY WITH 1/2" NPT X 1/2" NPSM X 3" NIPPLE X QTY 4 INCLUDED





TEMPERATURE CONTROL VALVE WITH STOPS, TRIM ONLY

