

**ASSEMBLY INSTRUCTION****3XHOL or R**

THREE WAY DIVERTER WITH SHUT-OFF IN BETWEEN FUNCTIONS

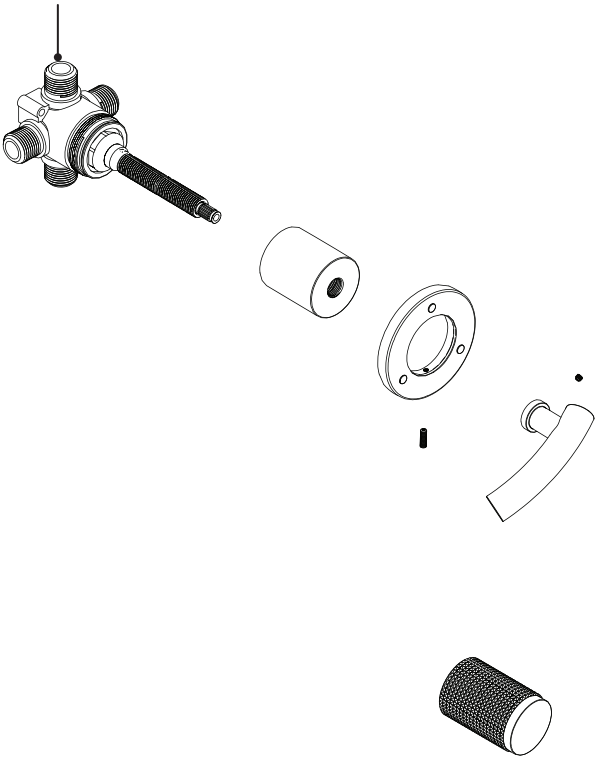
**3XHOL****3XHOR****REMOVAL OF FIXTURE:**

Always turn the water supply off before removing the existing fixture or disassembling a valve. Open all fixture handles to relieve water pressure and to ensure that the water has been successfully turned off.

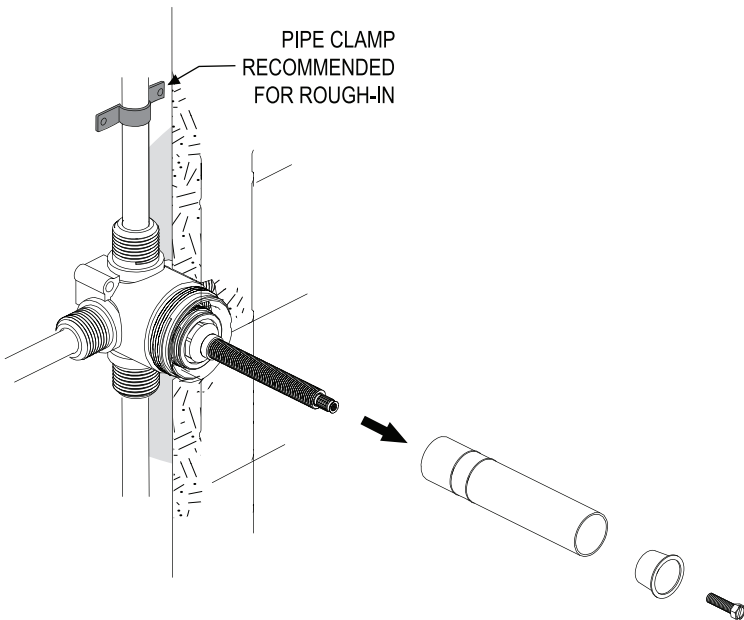
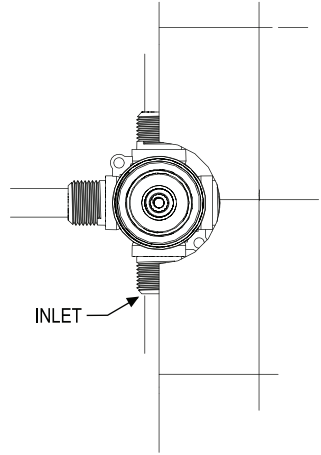
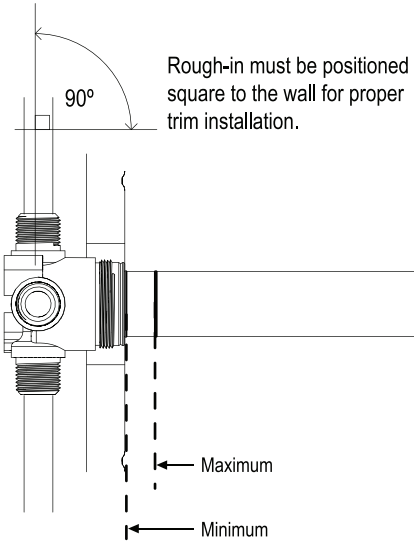
**CARE OF FIXTURE:**

The use of warm water and a soft cloth is all that is required to clean Rubinet products. The patina of our living finishes (Oil Rubbed Bronze & Tuscan Brass) will change as a result of normal use. Applying Mineral Oil on occasion will create a softer look, subtle color changes and character.

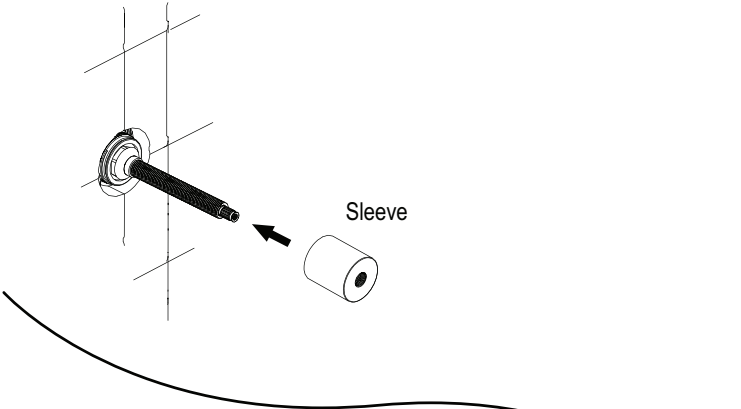
3XR000  
Rough-In Valve



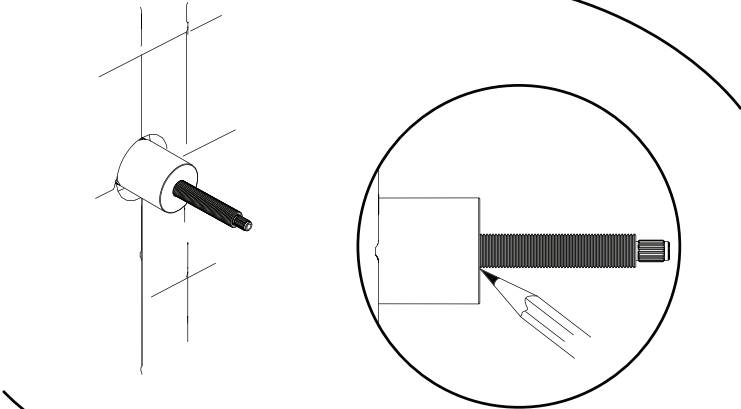
1



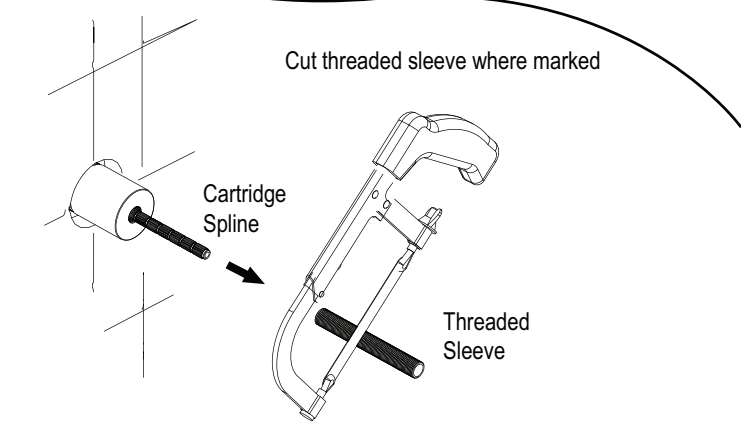
2



Sleeve



Mark threaded sleeve

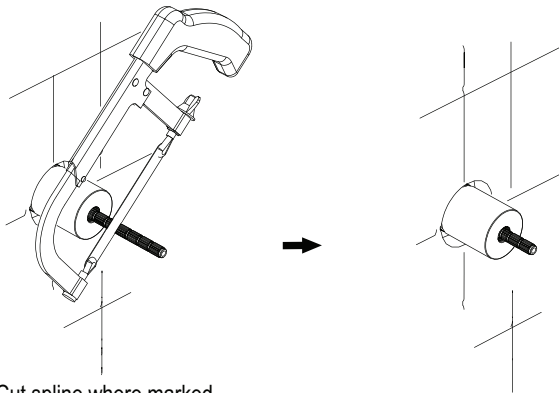
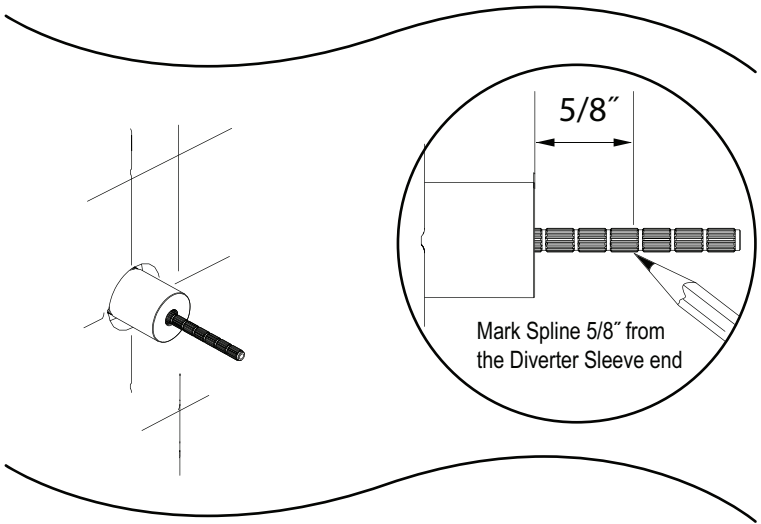
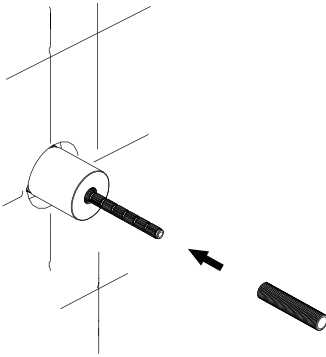


Cut threaded sleeve where marked

Cartridge Spline

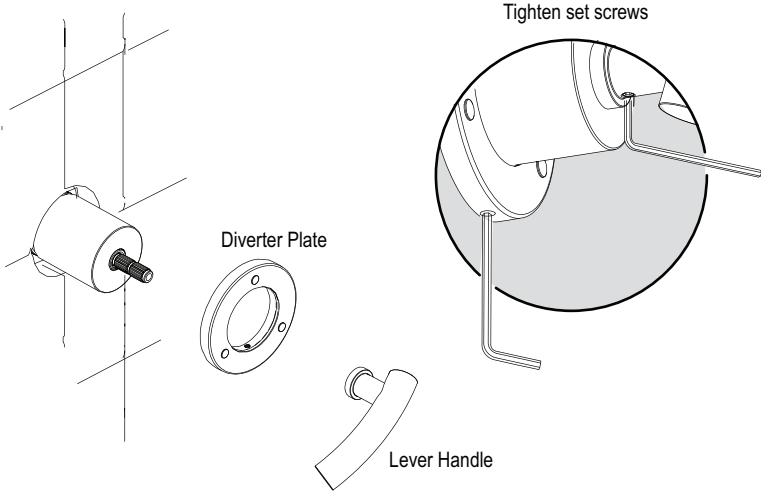
Threaded Sleeve

3

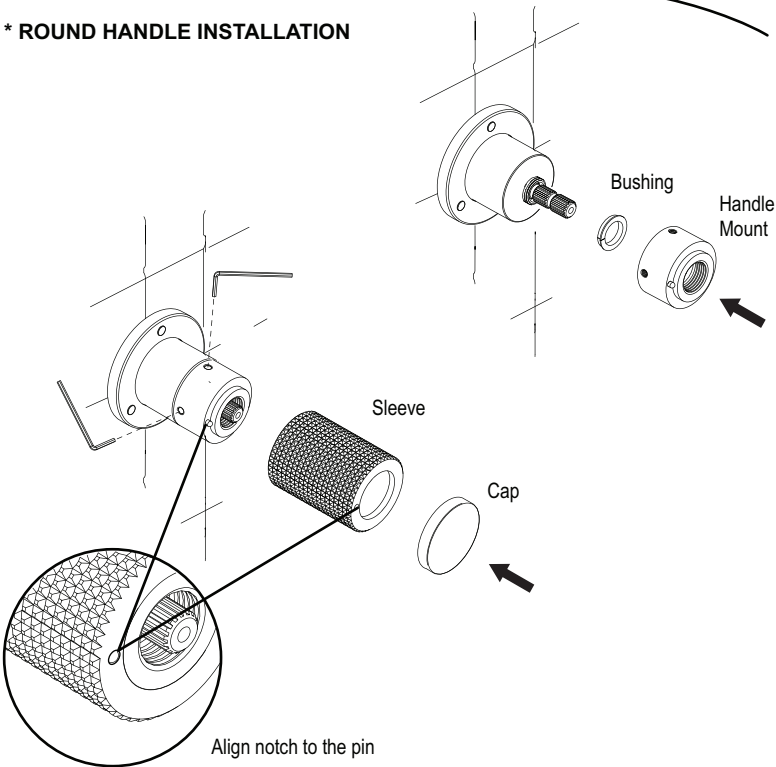


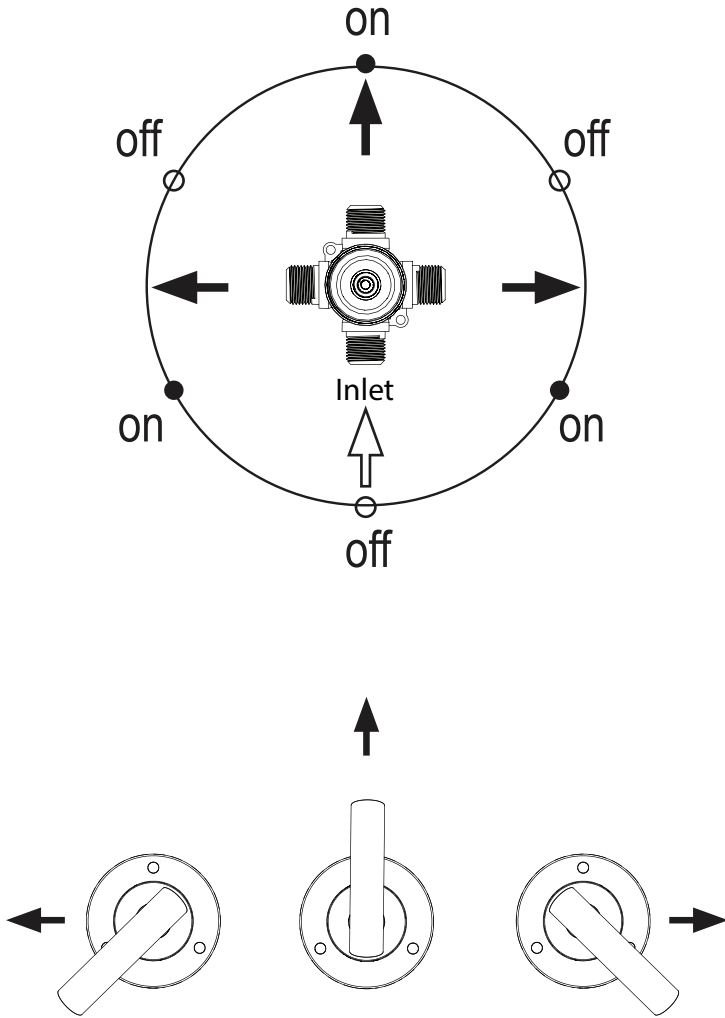
Cut spline where marked

4



**\* ROUND HANDLE INSTALLATION**

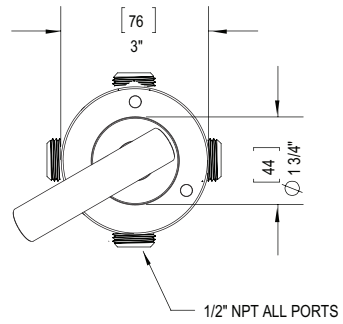
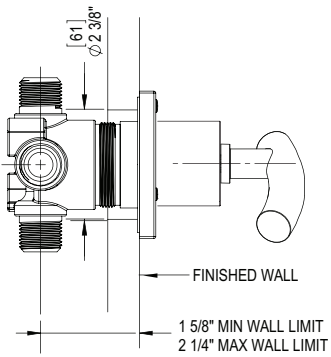




---

**FEATURES:**

- Brass construction with choice of 21 finishes
- Single handle control
- 4-Port 3 Way diverter valve
- Shut-Off in between functions

**CONTACT US:**

If you need assistance with installation, replacement parts or have any questions regarding your Rubinet product, please call a Customer Service representative at: **905-851-6781 toll free 1-800-461-5901** or visit **[www.rubinet.com](http://www.rubinet.com)**

---