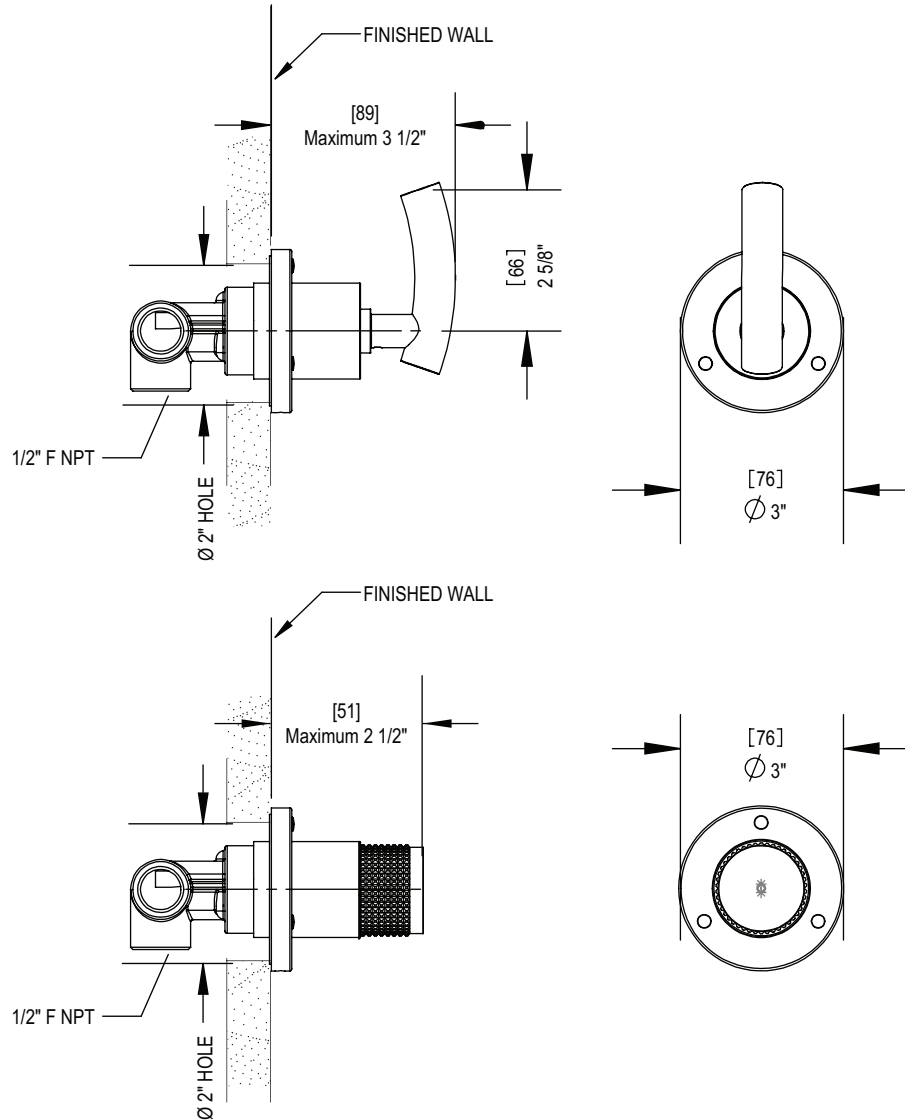


FEATURES:

- Brass construction with choice of 21 finishes
- Single handle control
- 3-Port 2 Way diverter valve
- 6.8 gpm @ 60 psi



CONTACT US:

If you need assistance with installation, replacement parts or have any questions regarding your Rubinet product, please call a Customer Service representative at: 905-851-6781 toll free 1-800-461-5901 or visit www.rubinet.com

161025

THE **Rubinet** FAUCET COMPANY

ASSEMBLY INSTRUCTION

2XHOL or R

TWO WAY DIVERTER VALVE WITH SHUT-OFF



2XHOL



2XHOR

REMOVAL OF FIXTURE:

Always turn the water supply off before removing the existing fixture or disassembling a valve. Open both faucet handles to relieve water pressure and to ensure that the water has been successfully turned off.

CARE OF FIXTURE:

The use of warm water and a soft cloth is all that is required to clean Rubinet products. The patina of our living finishes (Oil Rubbed Bronze & Tuscan Brass) will change as a result of normal use. Applying Mineral Oil on occasion will create a softer look, subtle color changes and character.

